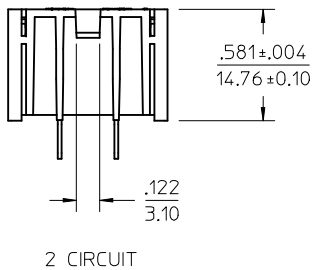
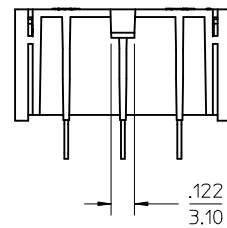


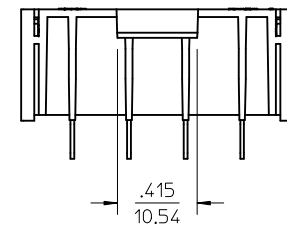
SIDE VIEW, TYP



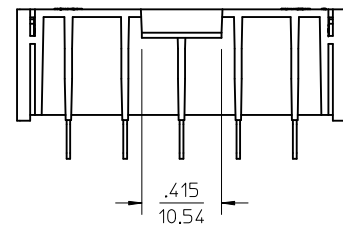
2 CIRCUIT



3 CIRCUIT



4 CIRCUIT



5 CIRCUIT

NOTES:

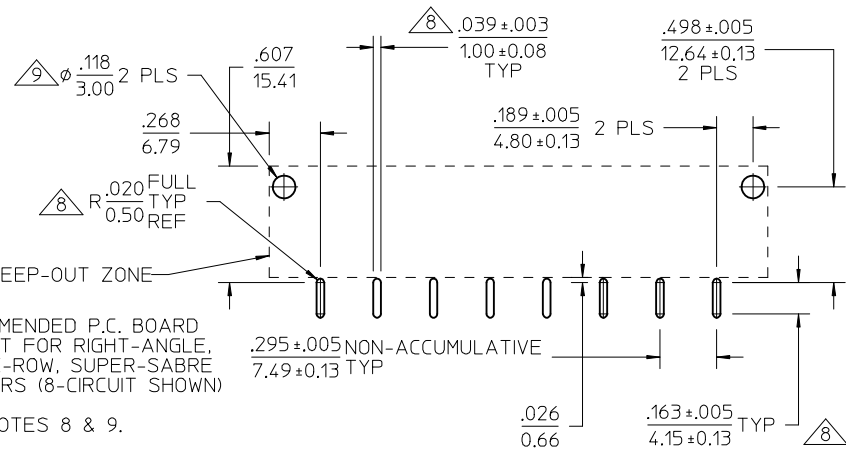
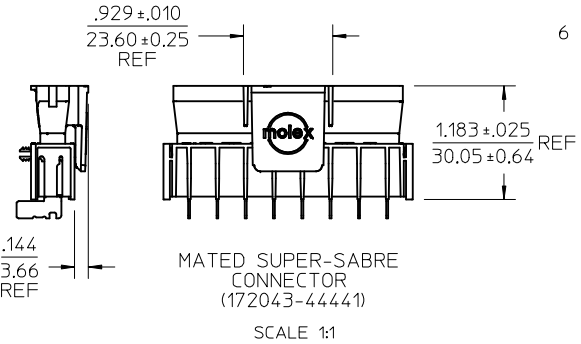
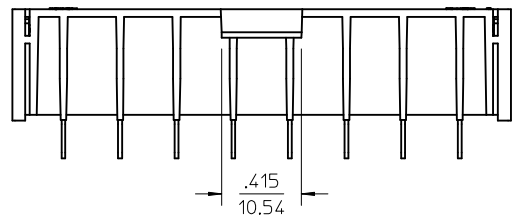
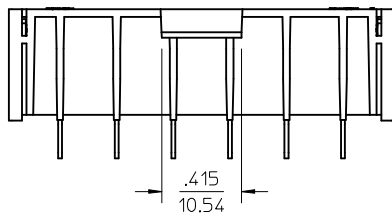
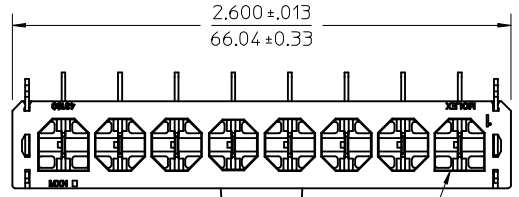
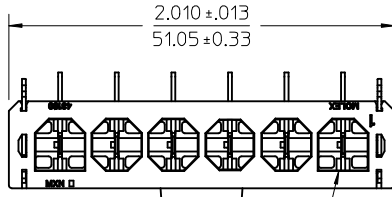
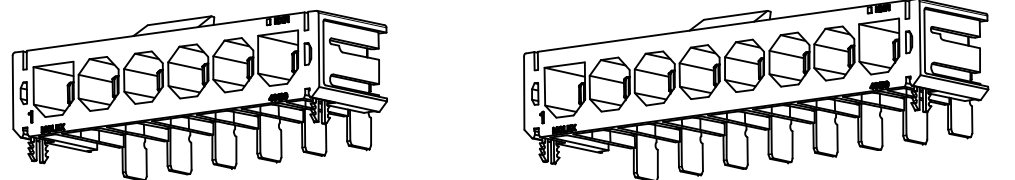
- MATERIALS
HOUSING: GLASS-FILLED, LIQUID CRYSTAL POLYMER (LCP), UL94V-0, LOW-HALOGEN, GLOW-WIRE CAPABLE. COLOR: BLACK
TERMINALS: ETP COPPER
- FINISHES:
.000100/.00254 MIN SELECT SILVER AND .000100/.00254 MIN SELECT MATTE TIN OVER NICKEL OVERALL
- PRODUCT SPECIFICATION:
PS-171825-001 (PENDING)
- PACKAGING INFORMATION:
PK-43789-001 (TRAY PACK)
- MATES WITH:
171825 FEMALE CRIMP TERMINALS
44441 RECEPTACLE HOUSINGS
- THIS PART CONFORMS TO CLASS B REQUIREMENTS OF COSMETIC SPEC PS-45499-002.
- HEADERS INDICATED AS "FINGER-PROOF" ARE DESIGNED TO MINIMIZE ACCESSIBILITY TO LIVE PARTS, PER UL 1977 AND UL 60950 FINGER PROBE REQUIREMENTS.
- SLOTTED VIAS, PLATED THRU. MOLEX RECOMMENDS ANNULAR RING DESIGN PARAMETERS AS SPECIFIED IN IPC-2221, GENERIC STANDARD ON PRINTED BOARD DESIGN.
- .118/3.00 MOUNTING-HOLES (NON-PLATED) FOR OPTIONAL BOARD-LOCKS SHOWN.

RELEASE REV. A EC NO: UCP2014-2280 DRAWN: BANDERSON 2013/11/25 CHKD: KIPPER 2013/11/27 APPR: FSMITH 2013/12/06	QUALITY SYMBOLS ▽=0 ▽=0 ▽=0	GENERAL TOLERANCES (UNLESS SPECIFIED)		DIMENSION STYLE IN/MM		SCALE 2:1	DESIGN UNITS INCH	THIRD ANGLE PROJECTION	
		DRAWN BY BANDERSON		DATE 2013/06/21		TITLE SUPER-SABRE RIGHT-ANGLE HEADER ASSY SINGLE-ROW molex		SHEET NO. 1 OF 2	
A	DESCRIPTION	1 PLACE ± 0.13 ± .010		APPROVED BY FSMITH		DATE 2013/12/06		DOCUMENT NO. SD-172043-001	
		0 PLACE ± --- ± ---		MATERIAL NO. SEE CHART		THIS DRAWING CONTAINS INFORMATION THAT IS PROPRIETARY TO MOLEX INCORPORATED AND SHOULD NOT BE USED WITHOUT WRITTEN PERMISSION			

MATERIAL NUMBER*	CIRCUIT SIZE	SOLDER-TAIL	FINGER-PROOF	BOARD-LOCK
1720430201	2	SHORT	YES	NO
1720430202	2	SHORT	YES	YES
1720430203	2	SHORT	NO	NO
1720430204	2	SHORT	NO	YES
1720430205	2	LONG	YES	NO
1720430206	2	LONG	YES	YES
1720430207	2	LONG	NO	NO
1720430208	2	LONG	NO	YES
1720430301	3	SHORT	YES	NO
1720430302	3	SHORT	YES	YES
1720430303	3	SHORT	NO	NO
1720430304	3	SHORT	NO	YES
1720430305	3	LONG	YES	NO
1720430306	3	LONG	YES	YES
1720430307	3	LONG	NO	NO
1720430308	3	LONG	NO	YES
1720430401	4	SHORT	YES	NO
1720430402	4	SHORT	YES	YES
1720430403	4	SHORT	NO	NO
1720430404	4	SHORT	NO	YES
1720430405	4	LONG	YES	NO
1720430406	4	LONG	YES	YES
1720430407	4	LONG	NO	NO
1720430408	4	LONG	NO	YES
1720430501	5	SHORT	YES	NO
1720430502	5	SHORT	YES	YES
1720430503	5	SHORT	NO	NO
1720430504	5	SHORT	NO	YES
1720430505	5	LONG	YES	NO
1720430506	5	LONG	YES	YES
1720430507	5	LONG	NO	NO
1720430508	5	LONG	NO	YES
1720430601	6	SHORT	YES	NO
1720430602	6	SHORT	YES	YES
1720430603	6	SHORT	NO	NO
1720430604	6	SHORT	NO	YES
1720430605	6	LONG	YES	NO
1720430606	6	LONG	YES	YES
1720430607	6	LONG	NO	NO
1720430608	6	LONG	NO	YES
1720430801	8	SHORT	YES	NO
1720430802	8	SHORT	YES	YES
1720430803	8	SHORT	NO	NO
1720430804	8	SHORT	NO	YES
1720430805	8	LONG	YES	NO
1720430806	8	LONG	YES	YES
1720430807	8	LONG	NO	NO
1720430808	8	LONG	NO	YES

SOLDER-TAIL	DIM. "A" ±.020/0.51
SHORT	.150/3.81
LONG	.210/5.33

NOT TOOLED



RECOMMENDED P.C. BOARD LAYOUT FOR RIGHT-ANGLE, SINGLE-ROW, SUPER-SABRE HEADERS (8-CIRCUIT SHOWN)

SEE NOTES 8 & 9.

SEE SHEET 1 EC NO: UCP2014-2280 DRAWN: BANDERSON 2013/11/25 CHKD: KIPPER 2013/11/27 APPR: FSMITH 2013/12/06	QUALITY SYMBOLS ▽=0 ▽=0 ▽=0	GENERAL TOLERANCES (UNLESS SPECIFIED) <table border="1"> <tr> <th></th> <th>mm</th> <th>INCH</th> </tr> <tr> <td>4 PLACES</td> <td>± ---</td> <td>± ---</td> </tr> <tr> <td>3 PLACES</td> <td>± ---</td> <td>± .005</td> </tr> <tr> <td>2 PLACES</td> <td>± 0.13</td> <td>± .010</td> </tr> <tr> <td>1 PLACE</td> <td>± 0.25</td> <td>± ---</td> </tr> <tr> <td>0 PLACE</td> <td>± ---</td> <td>± ---</td> </tr> </table>		mm	INCH	4 PLACES	± ---	± ---	3 PLACES	± ---	± .005	2 PLACES	± 0.13	± .010	1 PLACE	± 0.25	± ---	0 PLACE	± ---	± ---	DIMENSION STYLE IN/MM	SCALE 2:1	DESIGN UNITS INCH	THIRD ANGLE PROJECTION
		mm	INCH																					
	4 PLACES	± ---	± ---																					
	3 PLACES	± ---	± .005																					
2 PLACES	± 0.13	± .010																						
1 PLACE	± 0.25	± ---																						
0 PLACE	± ---	± ---																						
DRAWN BY BANDERSON	DATE 2013/06/21	TITLE SUPER-SABRE RIGHT-ANGLE HEADER ASSY SINGLE-ROW																						
CHECKED BY DATE	DATE 2013/12/06	molex																						
APPROVED BY FSMITH	DATE 2013/12/06	MATERIAL NO. SEE CHART	DOCUMENT NO. SD-172043-001	SHEET NO. 2 OF 2																				

DRAFT WHERE APPLICABLE MUST REMAIN WITHIN DIMENSIONS

THIS DRAWING CONTAINS INFORMATION THAT IS PROPRIETARY TO MOLEX INCORPORATED AND SHOULD NOT BE USED WITHOUT WRITTEN PERMISSION