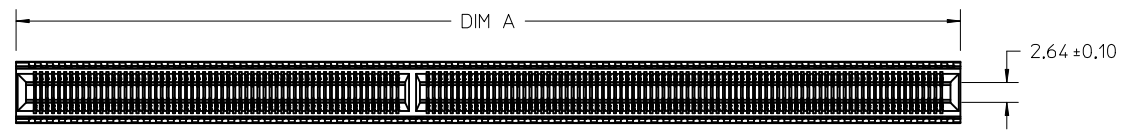
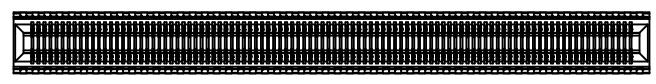


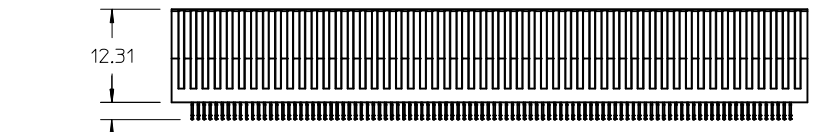
PART NUMBER	VERSION	BAY 1/BAY 2	TOTAL CIRCUITS	DIM A	SALES DRAWING (SEE NOTE 8)
170672-2294	2 BAY	122/172	294	125.03	SD-170672-2294
170672-2278	2 BAY	146/132	278	118.63	SD-170672-2278
170672-1200	1 BAY	200	200	84.20	SD-170672-1200
170672-1170	1 BAY	170	170	72.20	SD-170672-1170
170672-2108	2 BAY	86/22	108	50.6	SD-170672-2108



2 BAY EDGELINE

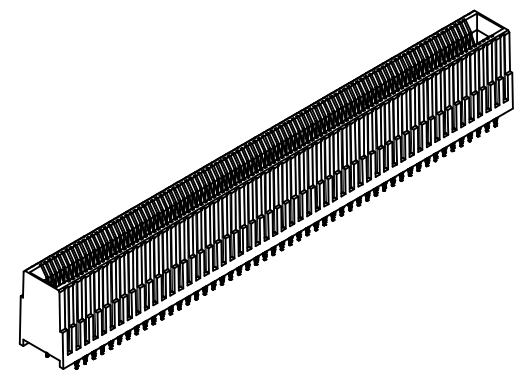
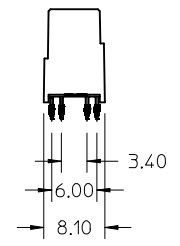


1 BAY EDGELINE



LAST CIRCUIT

FIRST CIRCUIT



NOTES:

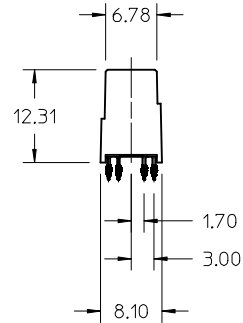
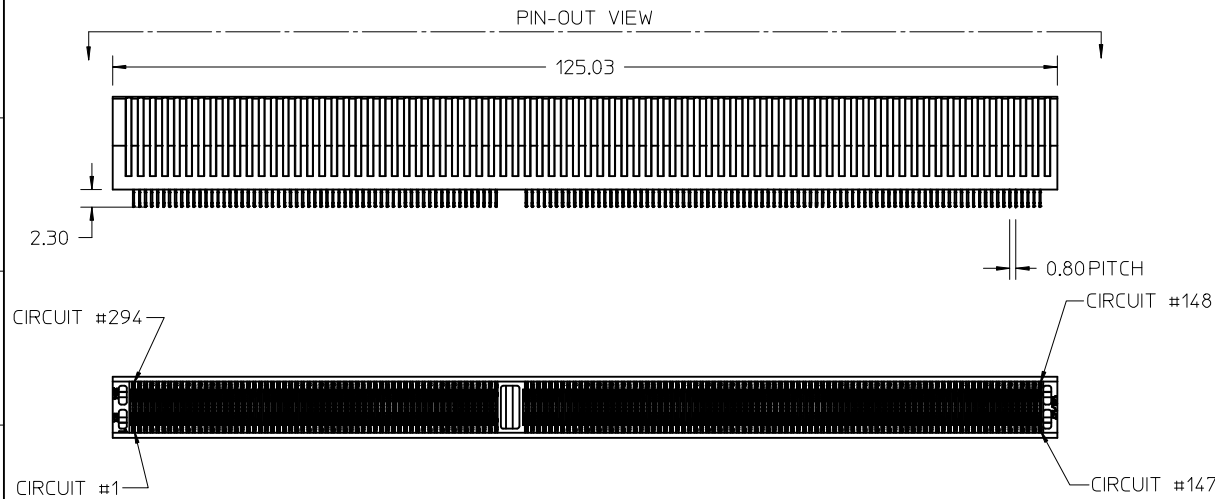
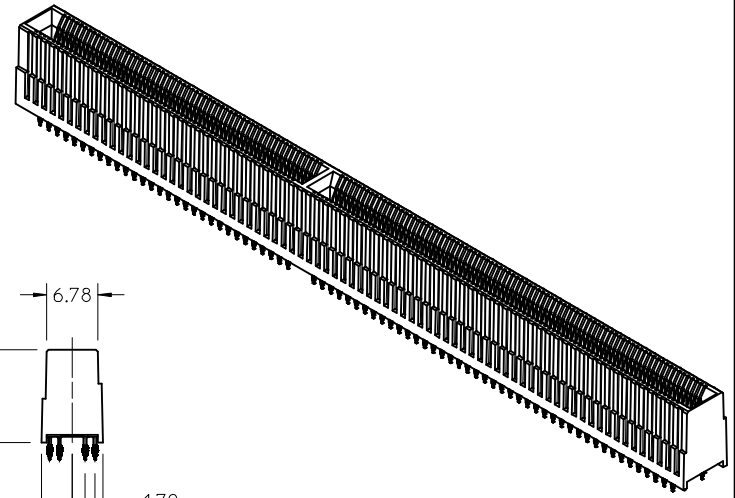
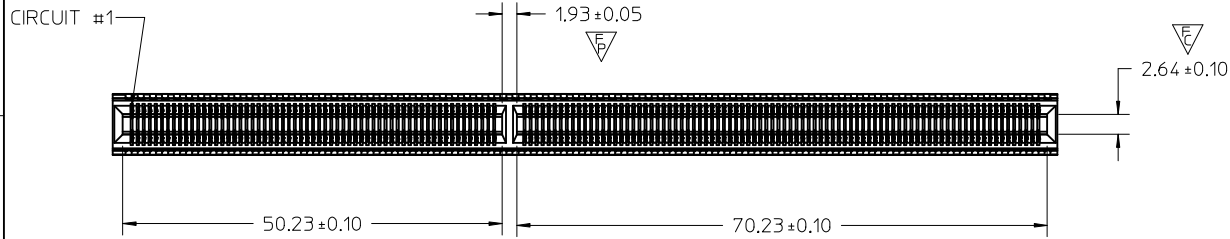
- MATERIAL:  
HOUSING - GLASS FILLED THERMOPLASTIC, 94-V0, BLACK  
TERMINALS - COPPER ALLOY
- FINISH:  
CONTACT AREA: HARD GOLD -0.76µm MIN OVER 3.80µ NICKEL  
COMPLIANT AREA: TIN - 0.76/1.52µm OVER NICKEL
- REFER TO PS-75594-999 PRODUCT SPECIFICATION FOR ALL ELECTRICAL, MECHANICAL AND ENVIRONMENTAL SPECIFICATIONS.
- PROCESSING: PRESSFIT TO PC BOARD.
- MATING PC BOARD THICKNESS = 2.36±0.16MM OVER CONTACT PADS.
- THIS PART CONFORMS TO CLASS B REQUIREMENTS OF COSMETIC SPEC PS-45499-002
- FOR EDGE CARD AND MOUNTING PCB LAYOUT DETAIL SEE CORRESPONDING SALES DRAWING.

REV	DESCRIPTION	QUALITY SYMBOLS
B	ADD P/N 170672-2108 EC NO: UCP2015-1097 DRAWN: RHIPPLE 2014/09/15 CHKD: MPOFF 2014/09/15 APPR: SMILLER 2014/09/29	  

GENERAL TOLERANCES (UNLESS SPECIFIED)	
mm	INCH
4 PLACES ± .005	± .0004
3 PLACES ± .003	± .0001
2 PLACES ± .002	± .0001
1 PLACE ± .001	± .0001
0 PLACE ±	±
ANGULAR ±1/2°	
DRAFT WHERE APPLICABLE MUST REMAIN WITHIN DIMENSIONS	

DIMENSION STYLE	
MM ONLY	
DRAWN BY	DATE
DROSCA	2010/07/01
CHECKED BY	DATE
JCOMERCI	2011/03/28
APPROVED BY	DATE
JCOMERCI	2010/10/25
MATERIAL NO.	
SEE TABLE	
SIZE	C

SCALE	DESIGN UNITS	THIRD ANGLE PROJECTION
2:1	METRIC	
<b>EDGELINE 12.5GB</b> <b>0.093" PCB 0.8MM PITCH</b>		
DOCUMENT NO.		SHEET NO.
SD-170672-0001		1 OF 1



NOTES:

- MATERIAL:  
HOUSING - GLASS FILLED THERMOPLASTIC, 94-V0, BLACK  
TERMINALS - COPPER ALLOY
- FINISH:  
CONTACT AREA: HARD GOLD -0.76μm MIN OVER 3.80μ NICKEL  
COMPLIANT AREA: TIN - 0.76/1.52μm OVER NICKEL
- REFER TO PS-75594-999 PRODUCT SPECIFICATION FOR ALL ELECTRICAL, MECHANICAL AND ENVIRONMENTAL SPECIFICATIONS.
- REFER TO PK-76693-900 FOR ALL PACKAGING SPECIFICATIONS.
- PROCESSING: PRESSFIT TO PC BOARD.
- MATING PC BOARD THICKNESS = 2.36±0.16MM OVER CONTACT PADS.
- PRODUCT IS ELV AND RoHS COMPLIANT. LEVEL OF COMPLIANCE: 6/6  
ALL BANNED SUBSTANCES ARE REMOVED:  
Pb (LEAD)  
HEXAVALENT CHROMIUM (CrVI)  
CADMIUM  
MERCURY  
POLYBROMINATED BIPHENYL (PBB)  
POLYBROMINATED DIPHENYL ETHER (PBDE)
- THIS PART CONFORMS TO CLASS B REQUIREMENTS OF COSMETIC SPEC PS-45499-002

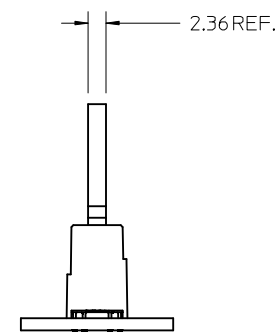
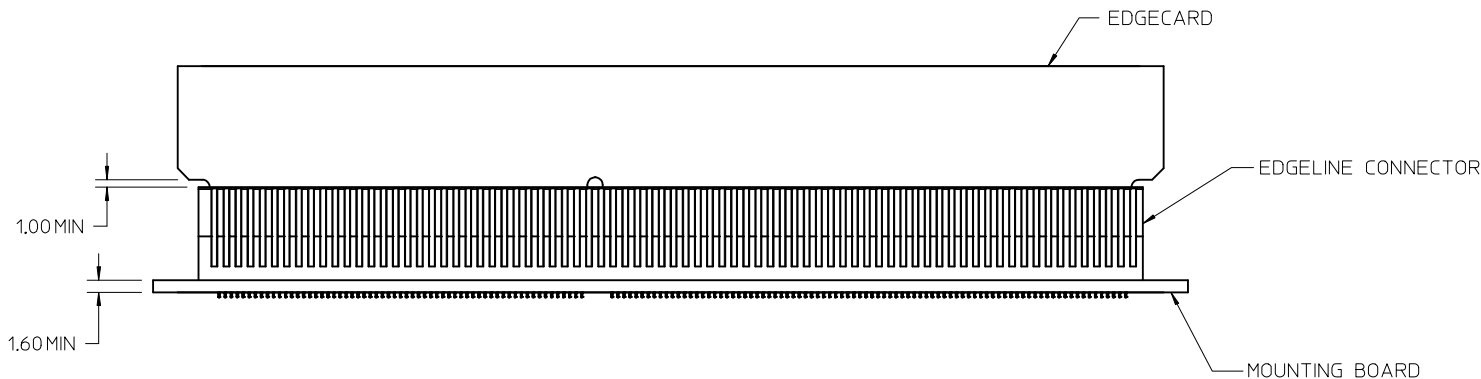
CHANGE PTH TOLERANCE	EC NO: UCP2014-1613	2013/11/22	DRWIN:WHIPPLE	2013/11/22	CHKD:WPOFF	2013/12/16	APPR:SMILLER	2013/12/16
	REV	DESCRIPTION						
QUALITY SYMBOLS	▽=0	▽=1	▽=1					

GENERAL TOLERANCES (UNLESS SPECIFIED)	
mm	INCH
4 PLACES ± ---	± ---
3 PLACES ± ---	± ---
2 PLACES ± 0.15	± ---
1 PLACE ± 0.25	± ---
0 PLACE ±	±
ANGULAR ±1/2°	
DRAFT WHERE APPLICABLE MUST REMAIN WITHIN DIMENSIONS	

DIMENSION STYLE		SCALE	DESIGN UNITS	THIRD ANGLE PROJECTION
MM ONLY		2:1	METRIC	☉
DRAWN BY	DATE	TITLE		
DROSCA	2011/03/16	EDGELINE 0.093" 294CKTS		
CHECKED BY	DATE	0.093"PCB 0.8MM PITCH		
JCOMERC I	2011/03/28			
APPROVED BY	DATE			
JCOMERC I	2011/03/28			
MATERIAL NO.		DOCUMENT NO.		SHEET NO.
1706722294		SD-170672-2294		1 OF 4
SIZE	THIS DRAWING CONTAINS INFORMATION THAT IS PROPRIETARY TO MOLEX INCORPORATED AND SHOULD NOT BE USED WITHOUT WRITTEN PERMISSION			
C				

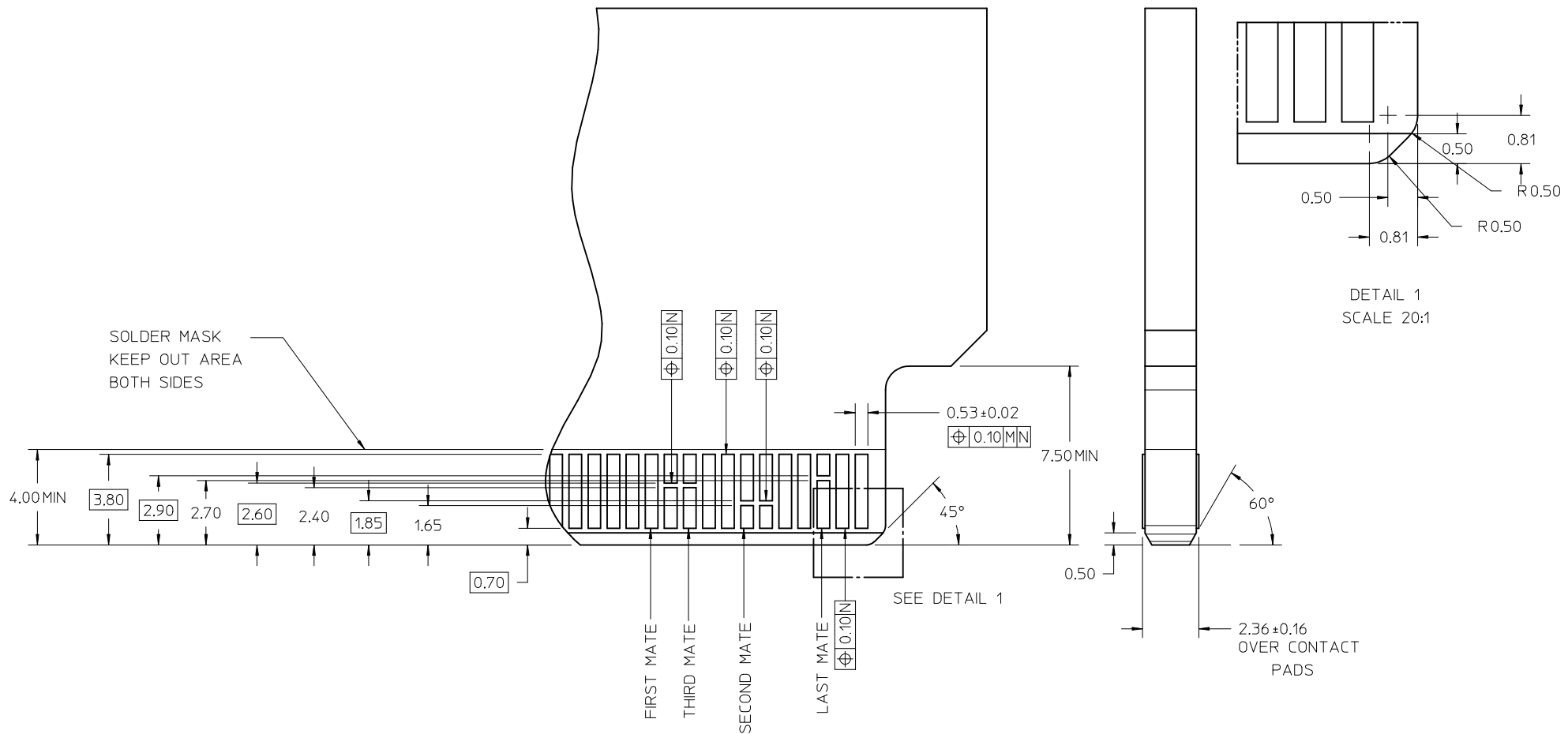
MATERIAL NO.		DOCUMENT NO.		SHEET NO.
1706722294		SD-170672-2294		1 OF 4
THIS DRAWING CONTAINS INFORMATION THAT IS PROPRIETARY TO MOLEX INCORPORATED AND SHOULD NOT BE USED WITHOUT WRITTEN PERMISSION				
C				

# EDGE LINE CONNECTOR BOARD MOUNTING



<b>ENTER DESCRIPTION</b> EC NO: UCP2014-1613 DRWNR:WHIPPLE 2013/11/22 CHKD:WPOFF 2013/11/22 APPR:SMILLER 2013/12/16	REV B	DESCRIPTION QUALITY SYMBOLS ▽=0 ▽=0 ▽=0	GENERAL TOLERANCES (UNLESS SPECIFIED)		DIMENSION STYLE <b>MM ONLY</b>		SCALE <b>2:1</b>	DESIGN UNITS <b>METRIC</b>	THIRD ANGLE PROJECTION	
			4 PLACES ± --- ± ---	mm INCH	DRAWN BY DROSCA	DATE 2011/03/16	TITLE <b>EDGE LINE 0.093" 294CKTS                  0.093"PCB 0.8MM PITCH</b>			
			3 PLACES ± --- ± ---	± 0.15 ± ---	CHECKED BY JCOMERC I	DATE 2011/03/28				
			2 PLACES ± 0.15 ± ---	± 0.25 ± ---	APPROVED BY JCOMERC I		DATE 2011/03/28		<b>molex</b>	
1 PLACE ± 0.25 ± ---	± ±	MATERIAL NO. <b>9999999999</b>		DOCUMENT NO. <b>SD-170672-2294</b>		SHEET NO. <b>2 OF 4</b>				
DRAFT WHERE APPLICABLE MUST REMAIN WITHIN DIMENSIONS		ANGULAR ±1/2°		SIZE C		THIS DRAWING CONTAINS INFORMATION THAT IS PROPRIETARY TO MOLEX INCORPORATED AND SHOULD NOT BE USED WITHOUT WRITTEN PERMISSION				





NOTE:  
 THESE ARE GENERIC DETAILS THAT DESCRIBES THE CONFIGURATION OF VARIOUS PCB DESIGN ELEMENTS. THE CUSTOMER MUST DETERMINE WHERE AND WHEN TO USE EACH ELEMENT TO ACCOMODATE THEIR SPECIFIC APPLICATION.

SEE SHEET 1 EC NO: UCP2014-1613 DRWR:RHIPPLE 2013/11/22 CHKD:MPJFF 2013/11/22 APPR:SMILLER 2013/12/16	QUALITY SYMBOLS	GENERAL TOLERANCES (UNLESS SPECIFIED)	DIMENSION STYLE	SCALE	DESIGN UNITS	THIRD ANGLE PROJECTION
	▽=0	mm INCH	MM ONLY	8:1	METRIC	☉
	▽=0	4 PLACES ± --- ± ---	DRAWN BY DATE	TITLE		
	▽=0	3 PLACES ± --- ± ---	DROSCA 2011/03/16	EDGELINE 0.093" 294CKTS 0.093"PCB 0.8MM PITCH		
	2 PLACES ± 0.15 ± ---	CHECKED BY DATE	<b>molex</b> DOCUMENT NO. SD-170672-2294			
	1 PLACE ± 0.25 ± ---	JCOMERC I 2011/03/28				
	0 PLACE ± ±	APPROVED BY DATE	SHEET NO. 4 OF 4			
		JCOMERC I 2011/03/28	THIS DRAWING CONTAINS INFORMATION THAT IS PROPRIETARY TO MOLEX INCORPORATED AND SHOULD NOT BE USED WITHOUT WRITTEN PERMISSION			
			MATERIAL NO. SEE SHEET 1			
			ANGULAR ±1/2°			
			DRAFT WHERE APPLICABLE MUST REMAIN WITHIN DIMENSIONS			