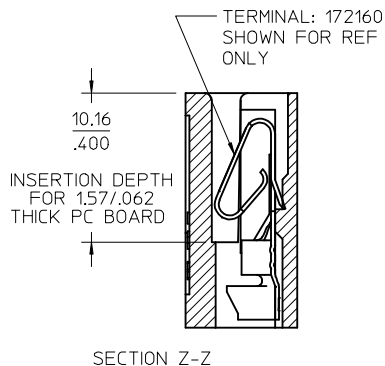
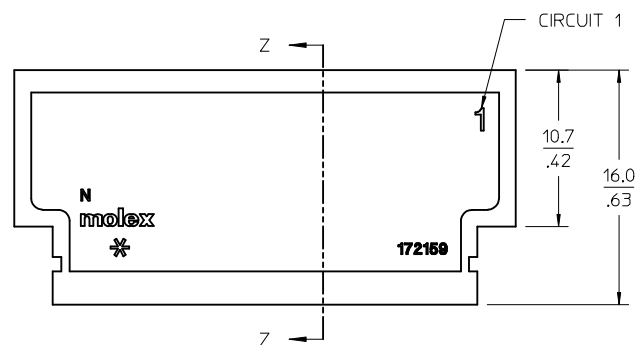
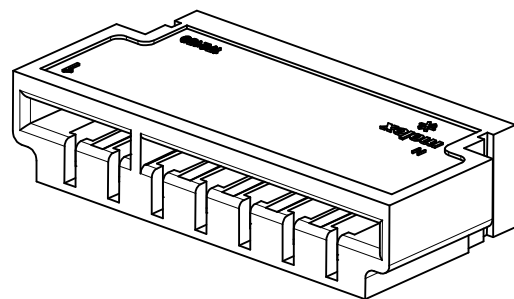


- NOTES:
1. MATERIAL: NYLON 6/6, 94V-2, WHITE
 2. FINISH: N/A
 3. PRODUCT SPECIFICATION: PS-172160-0001
 4. PACKAGING SPECIFICATION: PK-172159-0001
 5. COSMETIC SPECIFICATION: PS-45499-002 CLASS B
 6. HOUSING ACCEPTS TERMINAL: 172160
 7. THIS PART WITH PCB HOOK SEE SD-172159-0002
 8. DIMENSION TO BE 2.54-2.79 / .100-.110 TO POLARIZE HOUSING AND PCB.



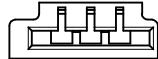
CKTS	MATERIAL NO	POL RIB	DIM A	DIM B	DIM C	DIM E
03	172159-0003	N/A	$\frac{15.70}{.618}$	$\frac{20.24}{.797}$	$\frac{16.05}{.632}$	$\frac{7.92 \pm 0.05}{.312 \pm 0.002}$
04	172159-0004	N/A	$\frac{19.66}{.774}$	$\frac{22.30}{.878}$	$\frac{20.02}{.788}$	$\frac{11.89 \pm 0.05}{.468 \pm 0.002}$
05	172159-0205	2-3	$\frac{23.42}{.922}$	$\frac{26.26}{1.034}$	$\frac{23.98}{.944}$	$\frac{15.85 \pm 0.08}{.624 \pm 0.003}$
06	172159-0206	2-3	$\frac{27.38}{1.078}$	$\frac{30.23}{1.190}$	$\frac{27.94}{1.100}$	$\frac{19.81 \pm 0.08}{.780 \pm 0.003}$
07	172159-0207	2-3	$\frac{31.29}{1.232}$	$\frac{34.19}{1.346}$	$\frac{31.90}{1.256}$	$\frac{23.77 \pm 0.08}{.936 \pm 0.003}$
08	172159-0208	3-4	$\frac{35.26}{1.388}$	$\frac{38.15}{1.502}$	$\frac{35.86}{1.412}$	$\frac{27.74 \pm 0.10}{1.092 \pm 0.004}$
09	172159-0209	3-4, 7-8	$\frac{39.22}{1.544}$	$\frac{42.11}{1.658}$	$\frac{39.83}{1.568}$	$\frac{31.70 \pm 0.10}{1.248 \pm 0.004}$
10	172159-0210	3-4, 6-7	$\frac{43.18}{1.700}$	$\frac{46.08}{1.814}$	$\frac{43.79}{1.724}$	$\frac{35.66 \pm 0.15}{1.404 \pm 0.006}$
11	172159-0211	3-4, 7-8	$\frac{47.09}{1.854}$	$\frac{50.04}{1.970}$	$\frac{47.75}{1.880}$	$\frac{39.62 \pm 0.15}{1.560 \pm 0.006}$
12	172159-0212	3-4, 8-9	$\frac{51.05}{2.010}$	$\frac{54.00}{2.126}$	$\frac{51.71}{2.036}$	$\frac{43.59 \pm 0.15}{1.716 \pm 0.006}$



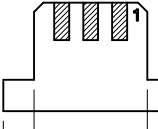
ADD NOTE 8 EC NO: UCP2015-1317 DRW:MKIPPER 2014/09/29 CHKD:NGUYEN 2014/09/29 APPR:FSM/TH 2014/10/10	DESCRIPTION REV B5	GENERAL TOLERANCES (UNLESS SPECIFIED)		DIMENSION STYLE MM/IN	SCALE 3:1	DESIGN UNITS INCH	THIRD ANGLE PROJECTION																	
		<table border="1"> <thead> <tr> <th></th> <th>mm</th> <th>INCH</th> </tr> </thead> <tbody> <tr> <td>4 PLACES</td> <td>± ---</td> <td>± ---</td> </tr> <tr> <td>3 PLACES</td> <td>± ---</td> <td>± .010</td> </tr> <tr> <td>2 PLACES</td> <td>± 0.25</td> <td>± .015</td> </tr> <tr> <td>1 PLACE</td> <td>± 0.38</td> <td>± ---</td> </tr> <tr> <td>0 PLACE</td> <td>± ---</td> <td>± ---</td> </tr> </tbody> </table>		mm	INCH	4 PLACES	± ---	± ---	3 PLACES	± ---	± .010	2 PLACES	± 0.25	± .015	1 PLACE	± 0.38	± ---	0 PLACE	± ---	± ---	DRAWN BY DATE KSAMIEC 2013/07/30	TITLE EGDEMATE CONNECTOR 3.96/.156 CENTER WITHOUT HOOKS		
			mm	INCH																				
		4 PLACES	± ---	± ---																				
3 PLACES	± ---	± .010																						
2 PLACES	± 0.25	± .015																						
1 PLACE	± 0.38	± ---																						
0 PLACE	± ---	± ---																						
APPROVED BY DATE JCOMERC I 2013/11/14	MATERIAL NO. SEE CHART	DOCUMENT NO. SD-172159-0000	SHEET NO. 1 OF 2																					
DRAFT WHERE APPLICABLE MUST REMAIN WITHIN DIMENSIONS		THIS DRAWING CONTAINS INFORMATION THAT IS PROPRIETARY TO MOLEX INCORPORATED AND SHOULD NOT BE USED WITHOUT WRITTEN PERMISSION																						

10 9 8 7 6 5 4 3 2 1

172159-0003



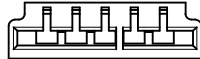
3 2 1 CIRCUITS



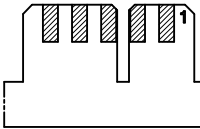
4.19
.165
MIN. THIS SIDE
ONLY ON 3 CKT

2.79
.110
MAX.
3 CKT ONLY
SEE NOTE 8

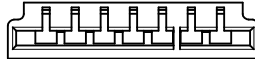
172159-0205



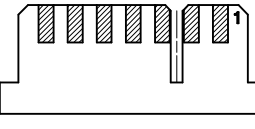
5 4 3 2 1 CIRCUITS



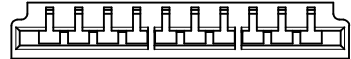
172159-0207



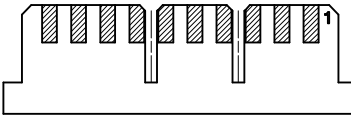
7 6 5 4 3 2 1 CIRCUITS



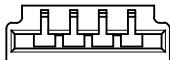
172159-0210



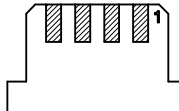
10 9 8 7 6 5 4 3 2 1 CIRCUITS



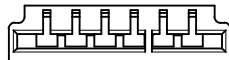
172159-0004



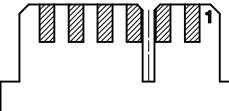
4 3 2 1 CIRCUITS



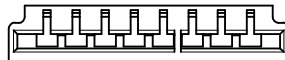
172159-0206



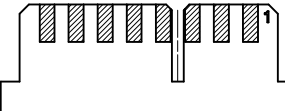
6 5 4 3 2 1 CIRCUITS



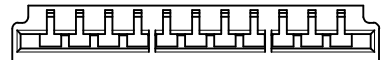
172159-0208



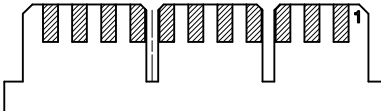
8 7 6 5 4 3 2 1 CIRCUITS



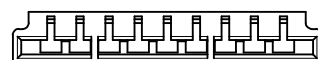
172159-0211



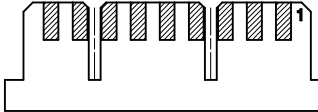
11 10 9 8 7 6 5 4 3 2 1 CIRCUITS



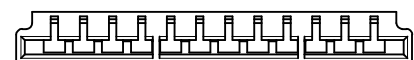
172159-0209



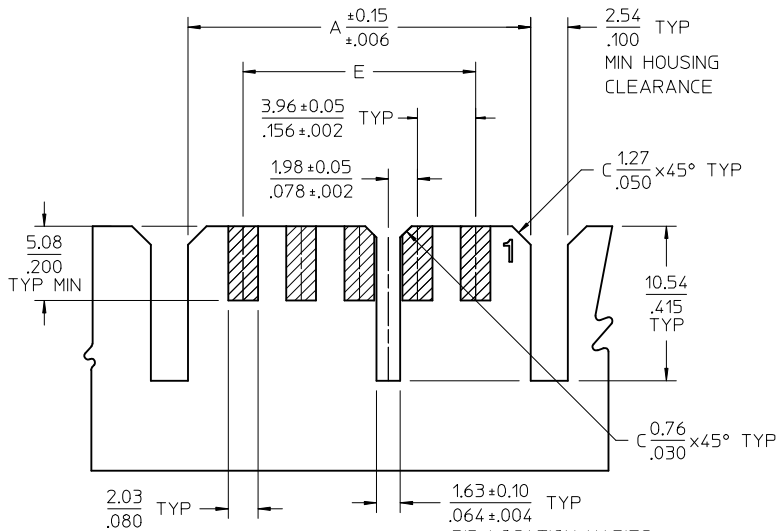
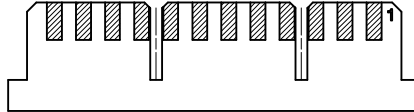
9 8 7 6 5 4 3 2 1 CIRCUITS



172159-0212



12 11 10 9 8 7 6 5 4 3 2 1 CIRCUITS



GENERIC PCB LAYOUT
PCB THICKNESS: 1.57/.062

RIB LOCATION VARIES
BY CKT SIZE SEE
CHART FOR LOCATION

SEE SHEET 1	EC NO: UCP2015-1317	2014/09/29	DESCRIPTION
	DRW:MKIPPER	2014/09/29	
	CHKD:NGUYEN	2014/10/10	
	APPR:FSMITH		
	B5		

GENERAL TOLERANCES
(UNLESS SPECIFIED)

	mm	INCH
4 PLACES	±---	±---
3 PLACES	±---	±.010
2 PLACES	±0.25	±.015
1 PLACE	±0.38	±---
0 PLACE	±---	±---

ANGULAR ±1/2°
DRAFT WHERE APPLICABLE
MUST REMAIN
WITHIN DIMENSIONS

DIMENSION STYLE
MM/IN

DRAWN BY	DATE
KSAMIEC	2013/07/30
CHECKED BY	DATE
APPROVED BY	DATE
JCOMERC I	2013/11/14

MATERIAL NO.
SEE CHART

SIZE
B

SCALE
1.5:1

DESIGN UNITS
INCH

THIRD ANGLE
PROJECTION

TITLE
EGDEMATE CONNECTOR
3.96/.156 CENTER
WITHOUT HOOKS

molex

DOCUMENT NO.

SD-172159-0000

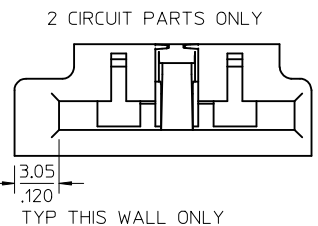
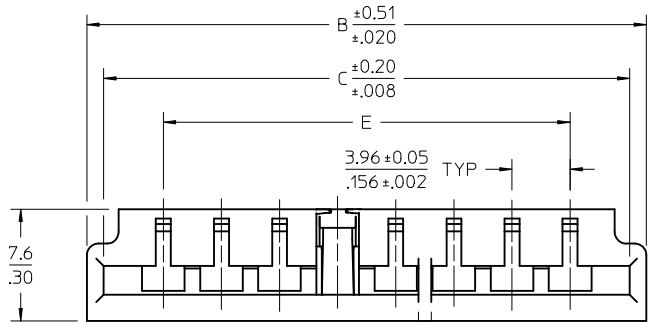
SHEET NO.

2 OF 2

THIS DRAWING CONTAINS INFORMATION THAT IS PROPRIETARY TO MOLEX
INCORPORATED AND SHOULD NOT BE USED WITHOUT WRITTEN PERMISSION

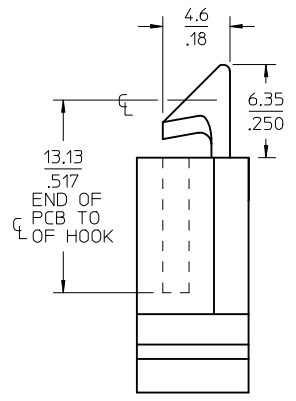
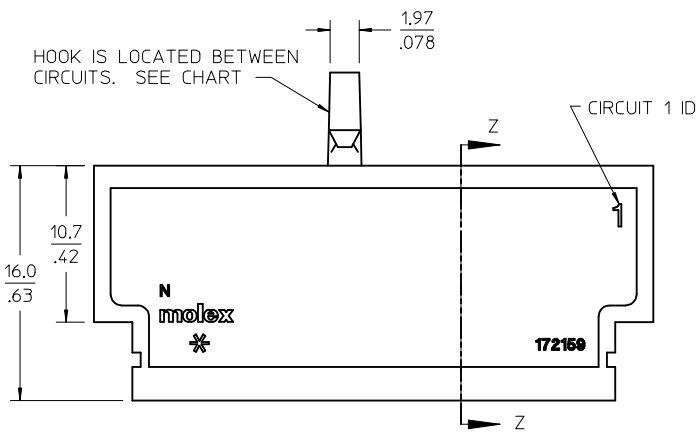
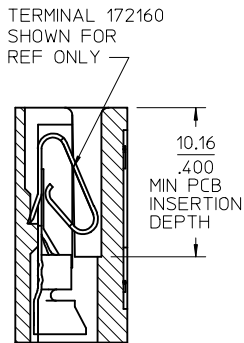
9 8 7 6 5 4 3 2 1

10 9 8 7 6 5 4 3 2 1

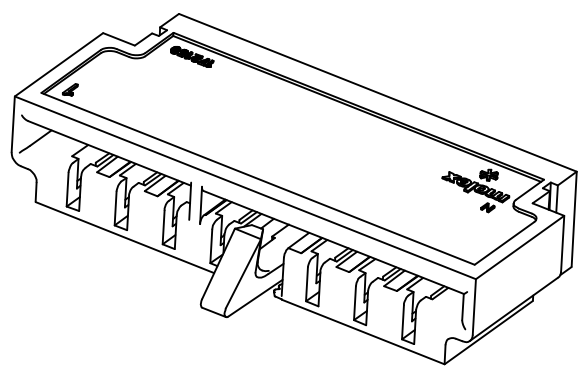


- NOTES:
1. MATERIAL: NYLON, UL 94V-2, WHITE
 2. FINISH: N/A
 3. PRODUCT SPECIFICATION: PS-172160-0001
 4. PACKAGING SPECIFICATION: PK-172159-0001
 5. COSMETIC SPEC: PS-45499-002 CLASS B
 6. HOUSING ACCEPTS TERMINAL: 172159
 7. THIS PART WITHOUT THE HOOK SEE SD-172159-0000
 8. DIMENSION TO BE 2.54-2.79/.100-.110 TO POLARIZE HOUSING AND PCB.

0.9 ± .04 OPTIONAL RIB SEE CHART



CKTS	MATERIAL NO	HOOK	POL RIB	DIM A	DIM B	DIM C	DIM E
02	172159-0502	1-2	N/A	15.70 .618	20.24 .797	16.05 .632	7.92±0.05 .312±.002
03	172159-0503	1-2	N/A	19.66 .774	22.30 .878	20.02 .788	11.89±0.05 .468±.002
04	172159-0604	3-4	2-3	23.42 .922	26.26 1.034	23.98 .944	15.85±0.08 .624±.003
05	172159-0605	3-4	2-3	27.38 1.078	30.23 1.190	27.94 1.100	19.81±0.08 .780±.003
06	172159-0606	3-4	2-3	31.29 1.232	34.19 1.346	31.90 1.256	23.77±0.08 .936±.003
07	172159-0607	4-5	3-4	35.26 1.388	38.15 1.502	35.86 1.412	27.74±0.10 1.092±.004
08	172159-0608	4-5	3-4, 6-7	39.22 1.544	42.11 1.658	39.83 1.568	31.70±0.10 1.248±.004
09	172159-0609	4-5	3-4, 5-6	43.18 1.700	46.08 1.814	43.79 1.724	35.66±0.15 1.404±.006
10	172159-0610	4-5	3-4, 6-7	47.09 1.854	50.04 1.970	47.75 1.880	39.62±0.15 1.560±.006
11	172159-0611	4-5	3-4, 7-8	51.05 2.010	54.00 2.126	51.71 2.036	43.59±0.15 1.716±.006
12	172159-0612	5-6	3-4, 8-9	54.97 2.164	57.96 2.282	55.68 2.192	47.55±0.15 1.872±.006



ADD NOTE 8
 EC NO: UCP2015-1317
 DRAWN: MKIPPER 2014/09/29
 CHKD: NGUYEN 2014/09/29
 APPR: FSMITH 2014/10/10

GENERAL TOLERANCES (UNLESS SPECIFIED)	
mm	INCH
4 PLACES ± ---	± ---
3 PLACES ± ---	± .010
2 PLACES ± 0.25	± .015
1 PLACE ± 0.38	± ---
0 PLACE ± ---	± ---

ANGULAR ± 1/2°

DRAFT WHERE APPLICABLE MUST REMAIN WITHIN DIMENSIONS

DIMENSION STYLE	
MM/IN	
DRAWN BY	DATE
KSAMIEC	2014/05/05
CHECKED BY	DATE
APPROVED BY	DATE
JCOMERC I	2014/05/19

SCALE 3:1 DESIGN UNITS INCH THIRD ANGLE PROJECTION

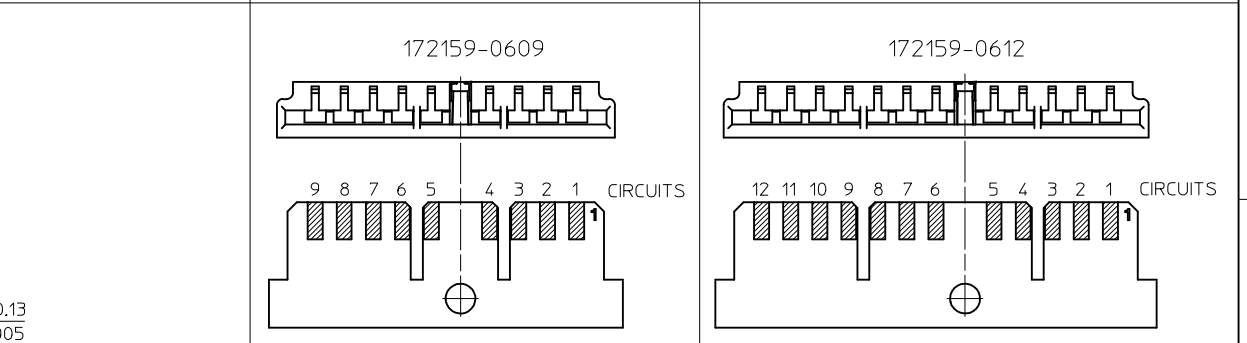
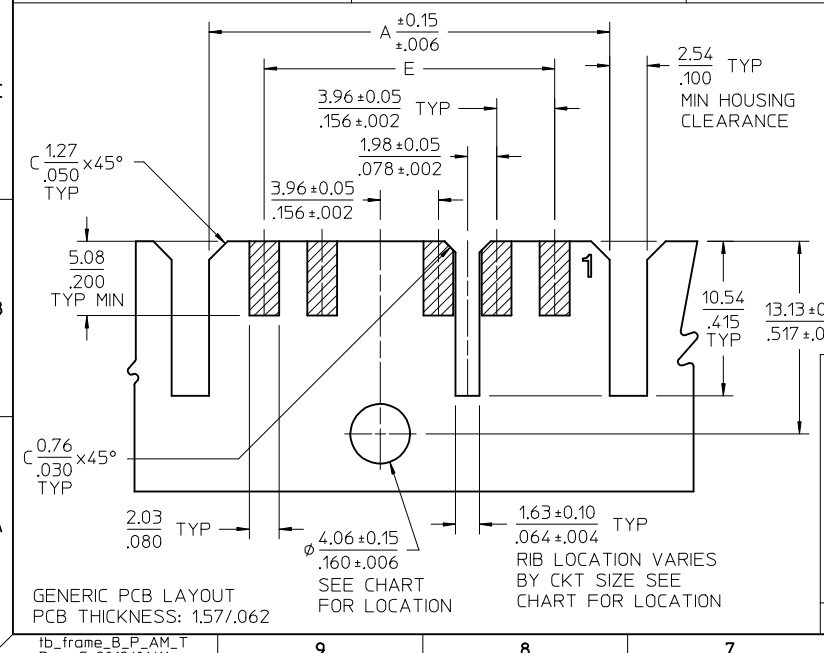
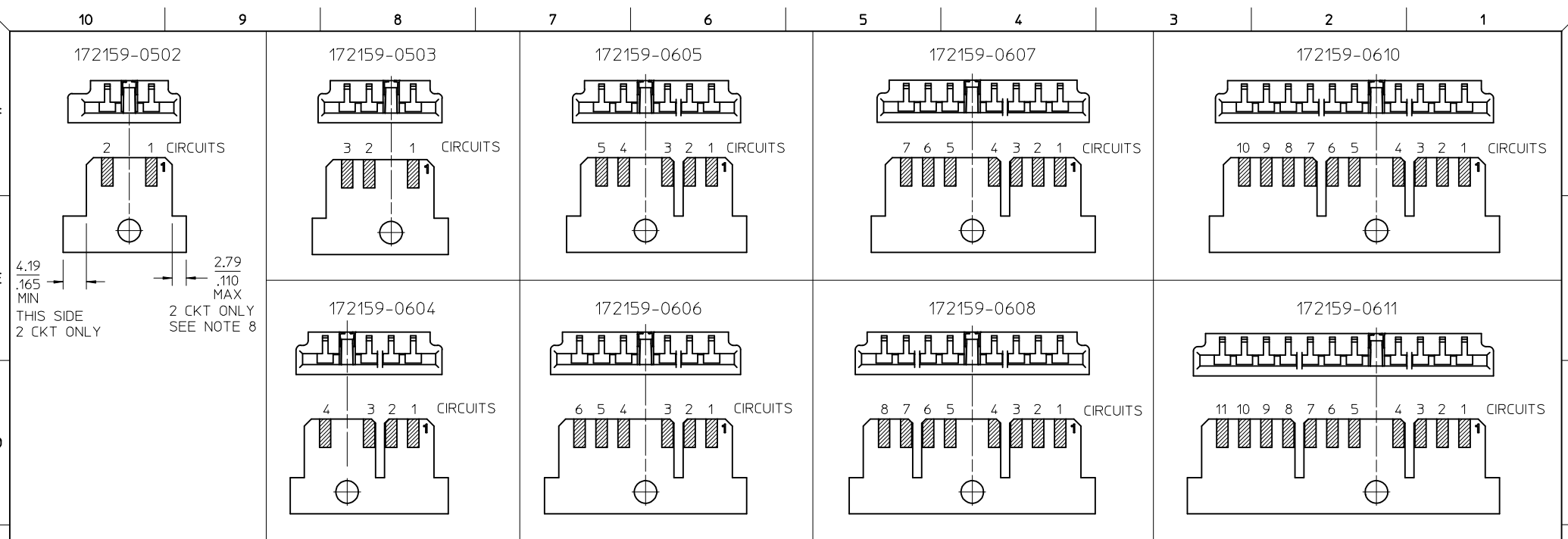
EDGEMATE CONNECTOR
 3.96/.156 CENTER WITH HOOK

molex

MATERIAL NO. SEE CHART DOCUMENT NO. SD-172159-0002 SHEET NO. 1 OF 2

THIS DRAWING CONTAINS INFORMATION THAT IS PROPRIETARY TO MOLEX INCORPORATED AND SHOULD NOT BE USED WITHOUT WRITTEN PERMISSION

9 8 7 6 5 4 3 2 1



SEE SHEET 1 EC NO: UCP2015-1317 DRAWN BY: DRW/MKIPPER 2014/09/29 CHKD: NGUYEN 2014/09/29 APPR: FSM/ITH 2014/10/10 B5	GENERAL TOLERANCES (UNLESS SPECIFIED)		DIMENSION STYLE MM/IN		SCALE 1.5:1	DESIGN UNITS INCH	THIRD ANGLE PROJECTION																		
	<table border="1"> <thead> <tr> <th></th> <th>mm</th> <th>INCH</th> </tr> </thead> <tbody> <tr> <td>4 PLACES</td> <td>± ---</td> <td>± ---</td> </tr> <tr> <td>3 PLACES</td> <td>± ---</td> <td>± .010</td> </tr> <tr> <td>2 PLACES</td> <td>± 0.25</td> <td>± .015</td> </tr> <tr> <td>1 PLACE</td> <td>± 0.38</td> <td>± ---</td> </tr> <tr> <td>0 PLACE</td> <td>± ---</td> <td>± ---</td> </tr> </tbody> </table>			mm	INCH	4 PLACES	± ---	± ---	3 PLACES	± ---	± .010	2 PLACES	± 0.25	± .015	1 PLACE	± 0.38	± ---	0 PLACE	± ---	± ---	DRAWN BY: KSAMIEC DATE: 2014/05/05 CHECKED BY: DATE:		TITLE EDGEMATE CONNECTOR 3.96/.156 CENTER WITH HOOK		
		mm	INCH																						
	4 PLACES	± ---	± ---																						
3 PLACES	± ---	± .010																							
2 PLACES	± 0.25	± .015																							
1 PLACE	± 0.38	± ---																							
0 PLACE	± ---	± ---																							
ANGULAR $\pm 1/2^\circ$		APPROVED BY: JCOMERC I DATE: 2014/05/19 MATERIAL NO.		DOCUMENT NO. SD-172159-0002																					
DRAFT WHERE APPLICABLE MUST REMAIN WITHIN DIMENSIONS		SEE CHART		SHEET NO. 2 OF 2																					