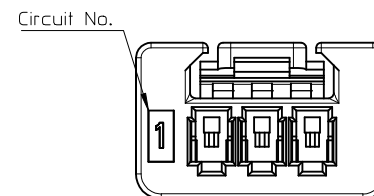
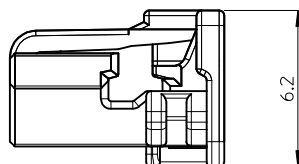
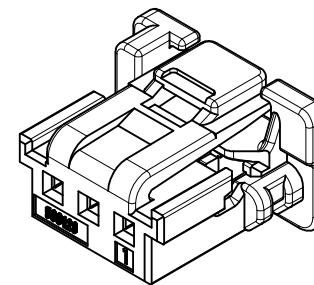
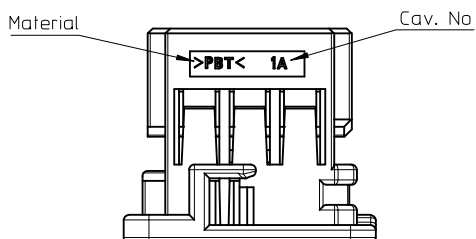
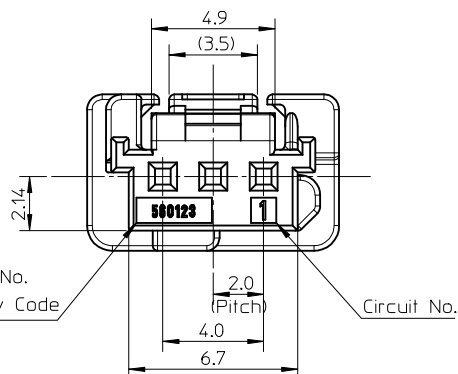
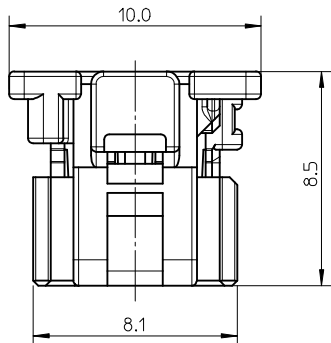


GENERAL TOLERANCE										USED ON
10 MAX	30 MAX	50 MAX	70 MAX	100 MAX	120 MAX	250 MAX	250 OVR	ANGLE	ECCENT	
±0.15	±0.20	±0.30	±0.40	±0.50	±0.75	±0.90	±1.4	±0.5°	0.1	



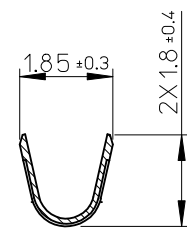
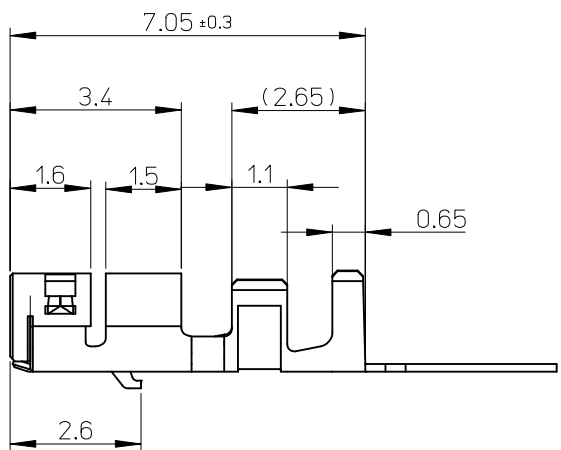
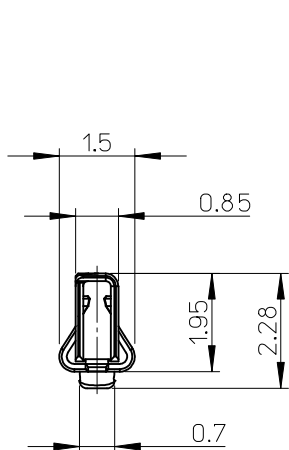
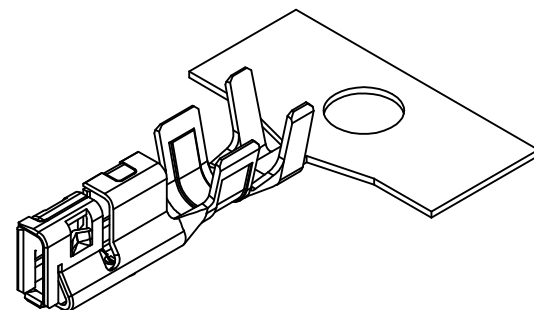
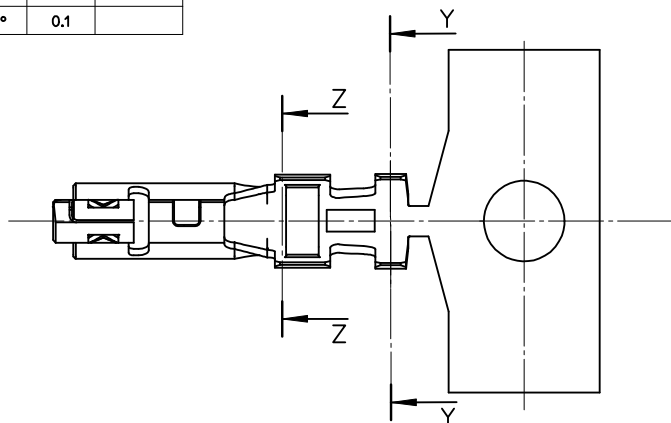
NOTES:

1. MATERIALS : POLYESTER (PBT), GLASS FILLED,UL 94V-0
COLOR : NATURAL (WHITE)
2. MATES WITH : 502352, 560020 SERIES
3. APPLICABLE TERMINAL : 560124-0101
4. APPLICABLE ISL : 560125-0301
5. GENERAL TOLERANCES : SEE TABLE
6. ELV AND RoHS COMPLIANT
7. PRODUCT SPECIFICATION : PS-560123-001
8. PACKING SPECIFICATION : PK-560123-001

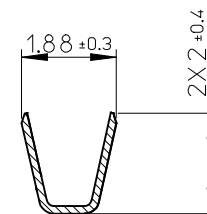
ORDER NO	MATERIAL NO
560123-0300	5601230300

NEW RELEASE EC NO: KTR2014-0051 DRWN:YIBAOK 2014/07/08 CHKD:BCY00N APPR:SRTAK 2014/08/26	QUALITY SYMBOLS	GENERAL TOLERANCES (UNLESS SPECIFIED) <table border="1"> <thead> <tr> <th></th> <th>mm</th> <th>INCH</th> </tr> </thead> <tbody> <tr> <td>4 PLACES</td> <td>± ---</td> <td>± ---</td> </tr> <tr> <td>3 PLACES</td> <td>± ---</td> <td>± ---</td> </tr> <tr> <td>2 PLACES</td> <td>± ---</td> <td>± ---</td> </tr> <tr> <td>1 PLACE</td> <td>± ---</td> <td>± ---</td> </tr> </tbody> </table>		mm	INCH	4 PLACES	± ---	± ---	3 PLACES	± ---	± ---	2 PLACES	± ---	± ---	1 PLACE	± ---	± ---	DIMENSION STYLE	SCALE	DESIGN UNITS	THIRD ANGLE PROJECTION
			mm	INCH																	
	4 PLACES	± ---	± ---																		
	3 PLACES	± ---	± ---																		
2 PLACES	± ---	± ---																			
1 PLACE	± ---	± ---																			
		MM ONLY	5:1	METRIC																	
		<table border="1"> <thead> <tr> <th>DRAWN BY</th> <th>DATE</th> <th>TITLE</th> </tr> </thead> <tbody> <tr> <td>YIBAOK</td> <td>2014/07/08</td> <td>NEW 2.0 PITCH W/B CONN. REC. 3WAY HSG DURA CLIK™ ISL SERIES</td> </tr> <tr> <th>CHECKED BY</th> <th>DATE</th> <th></th> </tr> <tr> <td></td> <td></td> <td></td> </tr> </tbody> </table>	DRAWN BY	DATE	TITLE	YIBAOK	2014/07/08	NEW 2.0 PITCH W/B CONN. REC. 3WAY HSG DURA CLIK™ ISL SERIES	CHECKED BY	DATE					MOLEX INCORPORATED MOLEX INCORPORATED						
DRAWN BY	DATE	TITLE																			
YIBAOK	2014/07/08	NEW 2.0 PITCH W/B CONN. REC. 3WAY HSG DURA CLIK™ ISL SERIES																			
CHECKED BY	DATE																				
		<table border="1"> <thead> <tr> <th>APPROVED BY</th> <th>DATE</th> <th></th> </tr> </thead> <tbody> <tr> <td>SRTAK</td> <td>2014/08/26</td> <td></td> </tr> </tbody> </table>	APPROVED BY	DATE		SRTAK	2014/08/26		MATERIAL NO. SD-560123-003		SHEET NO. 1 OF 1										
APPROVED BY	DATE																				
SRTAK	2014/08/26																				
DRAFT WHERE APPLICABLE MUST REMAIN WITHIN DIMENSIONS		SEE TABLE	THIS DRAWING CONTAINS INFORMATION THAT IS PROPRIETARY TO MOLEX INCORPORATED AND SHOULD NOT BE USED WITHOUT WRITTEN PERMISSION																		

GENERAL TOLERANCE										USED ON
10 MAX	30 MAX	50 MAX	70 MAX	100 MAX	120 MAX	250 MAX	250 OVR	ANGLE	ECCENT	
±0.15	±0.20	±0.30	±0.40	±0.50	±0.75	±0.90	±1.4	±0.5°	0.1	



SECTION Z-Z



SECTION Y-Y

NOTES:

1. MATERIAL : CORSON ALLOY, PRE-TIN, 0.15T
2. APPLICABLE HOUSING : 560123-0*00
3. APPLICABLE WIRE: AVSS 0.3SQ, ISO WIRE 0.35SQ
4. GENERAL TOLERANCES : SEE TABLE
5. ELV AND RoHS COMPLIANT
6. PRODUCT SPECIFICATION: PS-560123-001
7. PACKING SPECIFICATION: PK-560124-001
8. CRIMP SPECIFICATION: CS-560124-001

ORDER NO	MATERIAL NO
560124-0101	5601240101

NEW RELEASE EC NO: KTR2014-0051 DRWN: YIBA EK 2014/07/03 CHKD: APPR: SRTAK 2014/08/26	DESCRIPTION REV A	QUALITY SYMBOLS	$\nabla=0$ $\square=0$	GENERAL TOLERANCES (UNLESS SPECIFIED)	DIMENSION STYLE	SCALE	DESIGN UNITS	THIRD ANGLE PROJECTION															
				<table border="1"> <thead> <tr> <th></th> <th>mm</th> <th>INCH</th> </tr> </thead> <tbody> <tr> <td>4 PLACES</td> <td>±---</td> <td>±---</td> </tr> <tr> <td>3 PLACES</td> <td>±---</td> <td>±---</td> </tr> <tr> <td>2 PLACES</td> <td>±---</td> <td>±---</td> </tr> <tr> <td>1 PLACE</td> <td>±---</td> <td>±---</td> </tr> </tbody> </table>		mm	INCH	4 PLACES	±---	±---	3 PLACES	±---	±---	2 PLACES	±---	±---	1 PLACE	±---	±---	MM ONLY	5:1	METRIC	
			mm	INCH																			
		4 PLACES	±---	±---																			
3 PLACES	±---	±---																					
2 PLACES	±---	±---																					
1 PLACE	±---	±---																					
		<table border="1"> <thead> <tr> <th></th> <th>mm</th> <th>INCH</th> </tr> </thead> <tbody> <tr> <td>4 PLACES</td> <td>±---</td> <td>±---</td> </tr> <tr> <td>3 PLACES</td> <td>±---</td> <td>±---</td> </tr> <tr> <td>2 PLACES</td> <td>±---</td> <td>±---</td> </tr> <tr> <td>1 PLACE</td> <td>±---</td> <td>±---</td> </tr> </tbody> </table>		mm	INCH	4 PLACES	±---	±---	3 PLACES	±---	±---	2 PLACES	±---	±---	1 PLACE	±---	±---	DRAWN BY: YIBA EK DATE: 2014/07/03 CHECKED BY: DATE: APPROVED BY: SRTAK DATE: 2014/08/26 MATERIAL NO.: DOCUMENT NO.:	TITLE: NEW 2.0 W/B CRIMP REC DURACLIC™ ISL SERIES				
	mm	INCH																					
4 PLACES	±---	±---																					
3 PLACES	±---	±---																					
2 PLACES	±---	±---																					
1 PLACE	±---	±---																					
		DRAFT WHERE APPLICABLE MUST REMAIN WITHIN DIMENSIONS	SIZE: A3 THIS DRAWING CONTAINS INFORMATION THAT IS PROPRIETARY TO MOLEX INCORPORATED AND SHOULD NOT BE USED WITHOUT WRITTEN PERMISSION	MOLEX INCORPORATED SD-560124-001	SHEET NO.: 1 OF 1																		