

7

6

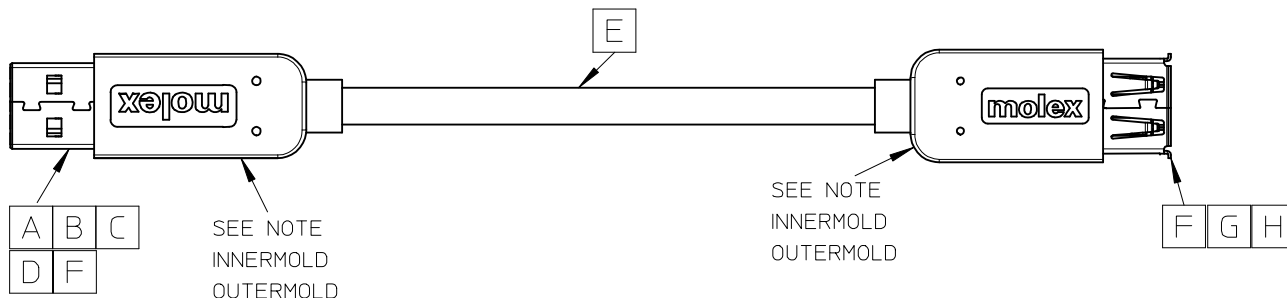
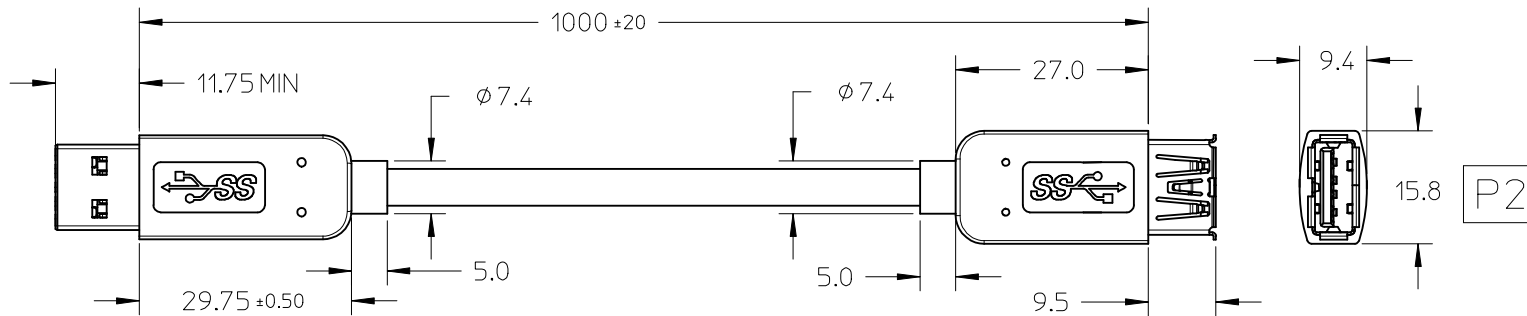
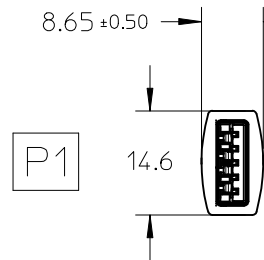
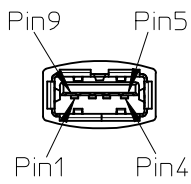
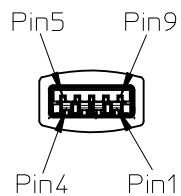
5

4

3

2

1



SEE NOTE
INNERMOLD
OUTERMOLD

SEE NOTE
INNERMOLD
OUTERMOLD

H	USB3.0 STD A COPPER FOIL		1
G	USB 3.0 STD A FEMALE CONNECTOR		1
F	HST F 1.5MM 125C (UL) BLK HF	A/R	
E	USB 3.0 CABLE (2P+1P)*28*2C*24, SHLD,PVC, BLK, 5.0, UL2725	A/R	
D	PRE-CUT COPPER FOIL 25*5		1
C	FRONT METAL FOR STD A PLUG		1
B	USB 3.0 STD A CONNECTOR ASSY		1
A	REAR METAL FOR STD A PLUG		1
ITEM	DESCRIPTION	L(MM)	QTY

WIRING CHART			
P1	SIGNAL NAME	WIRE COLOR	P2
1	VBUS	RED	1
2	D-	WHITE	2
3	D+	GREEN	3
4	GND	BLACK	4
5	Std_SSRX-	BLUE	5
6	Std_SSRX+	YELLOW	6
7	GND_DRAIN	GND_DRAIN	7
8	Std_SSTX-	PURPLE	8
9	Std_SSTX+	ORANGE	9
SHELL	SHIELD	BRAID	SHELL

SEE REVISIONS	DESCRIPTION
EC NO: CPG2014-2080	2014/01/16
DRWN:IFEI	
CHKD:	
APPR:RTSAI	
A	REV

QUALITY SYMBOLS
$\nabla_F = 0$
$\nabla_F = 0$
$\nabla_F = 0$

GENERAL TOLERANCES (UNLESS SPECIFIED)	
	mm
4 PLACES	± ---
3 PLACES	± ---
2 PLACES	± 0.25
1 PLACE	± 0.5
0 PLACE	± ---
ANGULAR ± 3 °	
DRAFT WHERE APPLICABLE MUST REMAIN WITHIN DIMENSIONS	

DIMENSION STYLE	
MM ONLY	
DRAWN BY	DATE
IFEI	2014/01/16
CHECKED BY	DATE
APPROVED BY	DATE
RTSAI	2014/01/17
MATERIAL NO.	687890001
SIZE	A4

SCALE	1:1
DESIGN UNITS	METRIC
THIRD ANGLE PROJECTION	
TITLE	
USB 3.0 A MALE TO FEMALE 1M	
DOCUMENT NO.	
SD-68789-019	
SHEET NO.	1 OF 2

REVISIONS

EC NO	DATE	REV	DESCRIPTION	CHANGER
N/A	2013/12/17	A	INITIAL RELEASE.	IFEI

6

5

4

3

2

1

7

6

5

4

3

2

1

NOTE:**1. OVERMOLDING SPECIFICATION:**

- 1.1 INNER MOLDING: PE RESIN
1.2 OUTER MOLDING: PVC RESIN

2. APPLICATION CONDITION

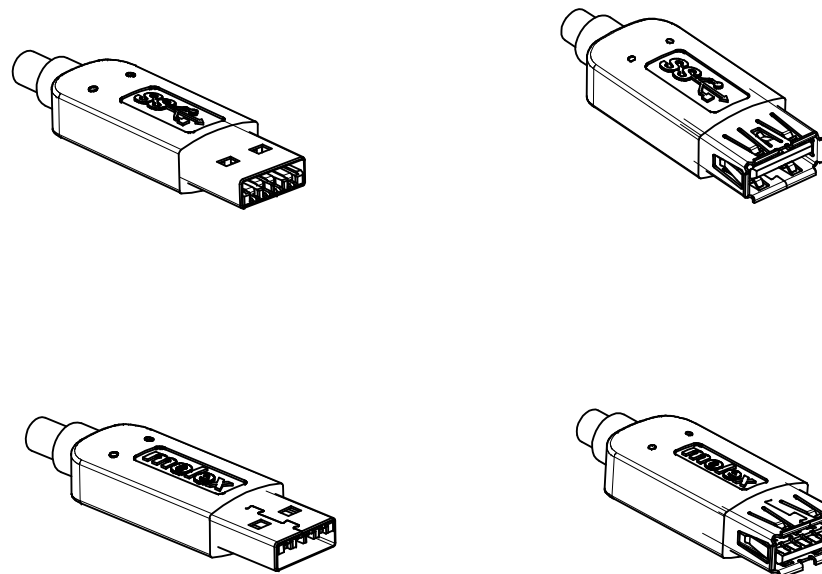
- 2.1 WORKING TEMPERATURE: 0° — +50°
2.2 STORAGE TEMPERATURE: -20° — +60°

3. MECHANICAL PERFORMACNE

- 3.1. CABLE ASSLY CAN PASS FLEXING TEST IN 100 CYCLES AT EACH OF 2 PLANES, PER EIA364-41 CONDITION I.
3.2. CABLE ASSEMBLY SR AREA SHOULD WITHSTAND A PULL FORCE 40N FOR ONE MINUTE WITHOUT COSMETIC AND FUNCTION DAMAGE.

4. ELECTRICAL PERFORMACNE

- 4.1 CURRENT RATING: 1.8A FOR POWER WIRE/ 0.25A FOR SIGNAL WIRE
4.2 VOLTAGE RATING: 30V AC

5. THIS PRODUCT MUST MEET THE EU RoHS CHEMICAL SUBSTANCES SPECIFICATION FOR PRODUCTS (2011/65/EU).

SEE REVISIONS EC NO: CPG2014-2080 DRWN: IFEI CHKD: APPR: RTSAI	DESCRIPTION 2014/01/16 2014/01/17	QUALITY SYMBOLS	GENERAL TOLERANCES (UNLESS SPECIFIED)		DIMENSION STYLE MM ONLY		SCALE 1:1	DESIGN UNITS METRIC	THIRD ANGLE PROJECTION		
		$\nabla_F = 0$		mm	INCH	DRAWN BY IFEI	DATE 2014/01/16	TITLE USB 3.0 A MALE TO FEMALE 1M			
		$\nabla_F = 0$	4 PLACES ± ---	± ---		CHECKED BY	DATE				
		$\nabla_F = 0$	3 PLACES ± ---	± ---		APPROVED BY RTSAI	DATE 2014/01/17	DOCUMENT NO. SD-68789-019		SHEET NO. 2 OF 2	
A	REV		1 PLACE ± 0.5	± ---		MATERIAL NO. 687890001		THIS DRAWING CONTAINS INFORMATION THAT IS PROPRIETARY TO MOLEX INCORPORATED AND SHOULD NOT BE USED WITHOUT WRITTEN PERMISSION			
			0 PLACE ± ---	± ---		SIZE A4					
			ANGULAR ± 3 °								
			DRAFT WHERE APPLICABLE MUST REMAIN WITHIN DIMENSIONS								

6

5

4

3

2

1