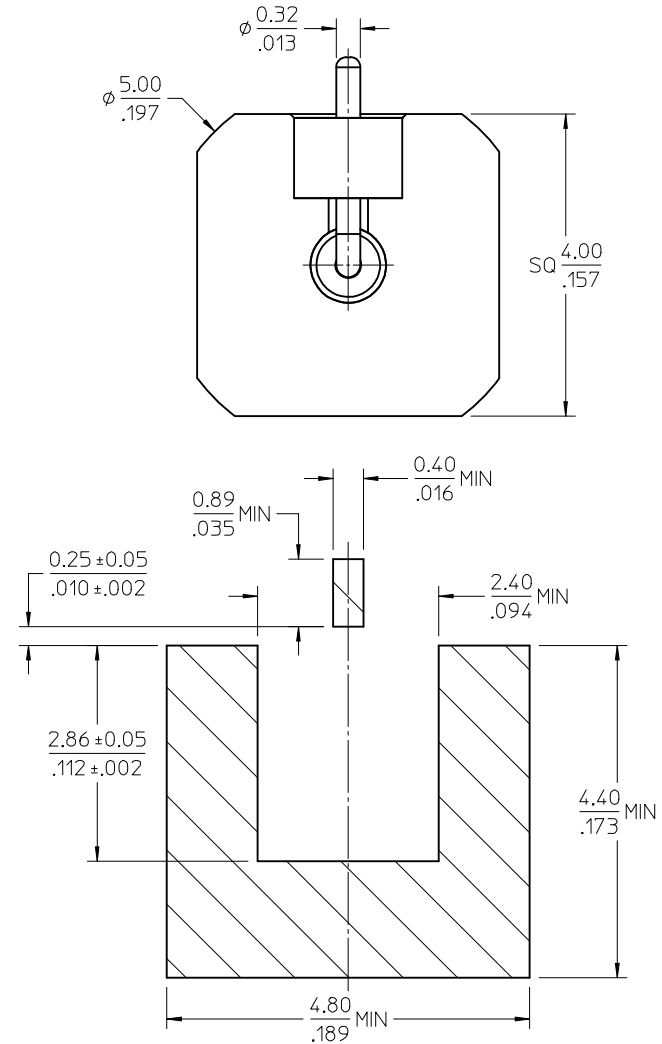
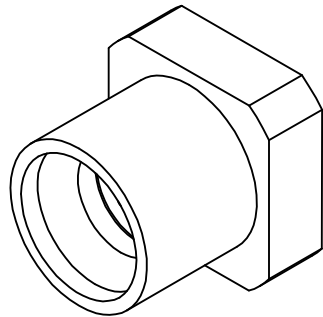
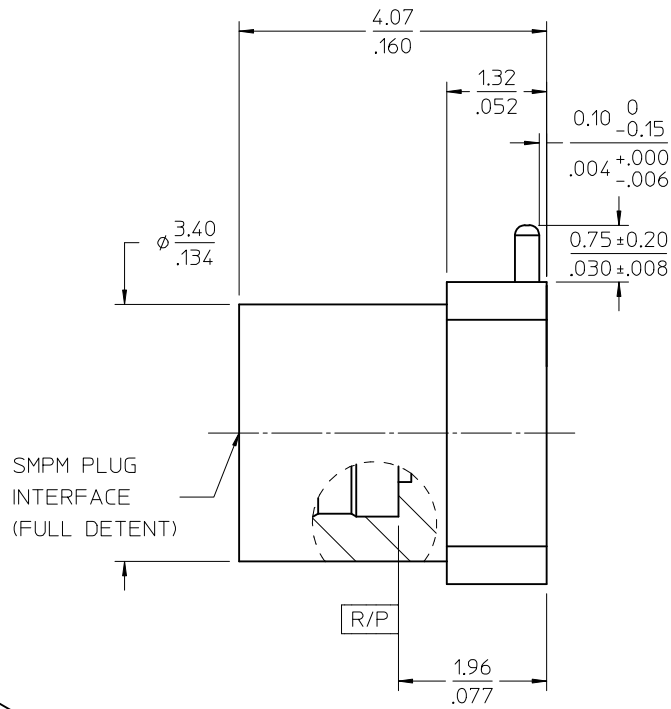


MATERIALS AND FINISH

BODY: BRASS
FINISH: GOLD

CONTACT: BeCu
FINISH: GOLD

INSULATOR: ULTEM



SUGGESTED PCB SOLDER PAD

73300-0081	SMPM PLUG FULL DETENT INTERFACE TAPE AND REEL
73300-0080	SMPM PLUG FULL DETENT INTERFACE (TRAY)
PART NO.	PACKAGING

MIL-STD-348A, FIG. 328.2	INTERFACE
SPECIFICATION	DESCRIPTION

CHG: ADDED PACKAGING PER RF13-E081	EC NO: URF2013-0406	DRWR:YEH	2013/01/16
CHKD: A1	APPR:HUANG	2013/01/29	

REV	DESCRIPTION
▽=0	
▽=0	
▽=0	

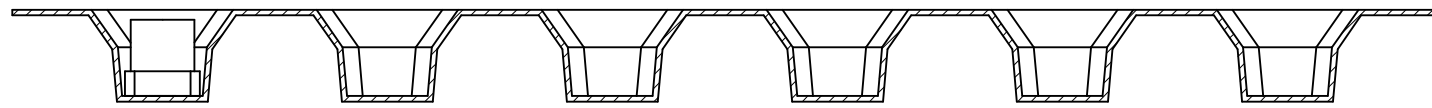
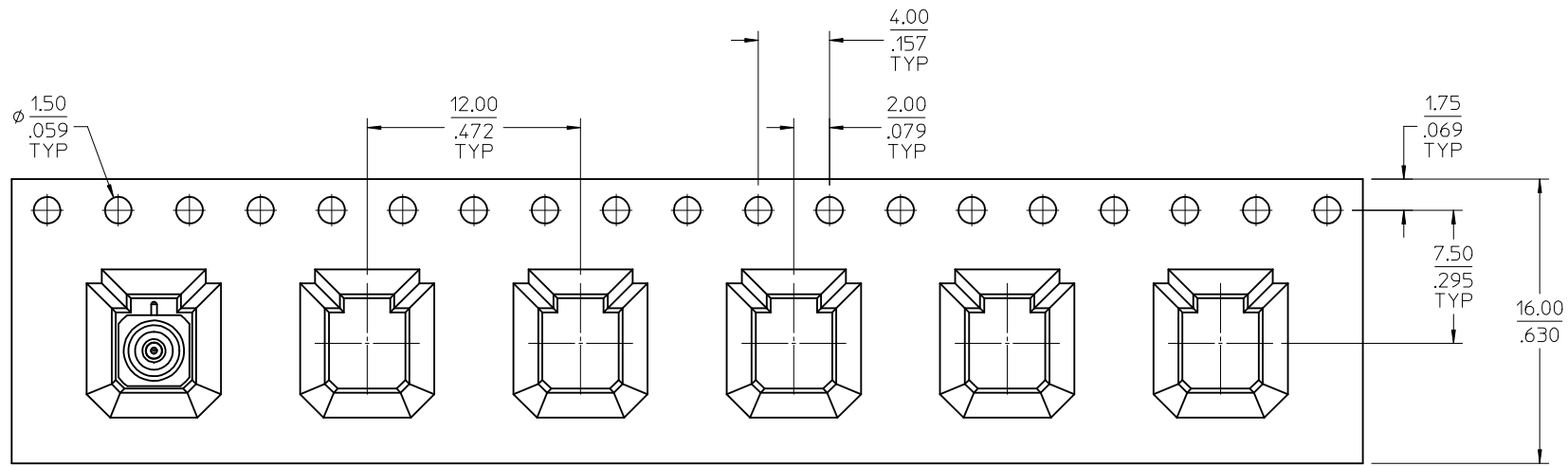
GENERAL TOLERANCES (UNLESS SPECIFIED)	
4 PLACES	± .005
3 PLACES	± .004
2 PLACES	± .003
1 PLACE	± .002
0 PLACE	± .001
ANGULAR ± 2 °	
DRAFT WHERE APPLICABLE MUST REMAIN WITHIN DIMENSIONS	

DIMENSION STYLE	
MM/IN	
DRAWN BY	DATE
JLEE02	2010/10/29
CHECKED BY	DATE
APPROVED BY	DATE
JWIENER	2010/11/18
MATERIAL NO.	
SEE TABLE	
SIZE	C

SCALE	DESIGN UNITS	THIRD ANGLE PROJECTION
20:1	METRIC	☉
TITLE		
SMPM PLUG, PCB VERTICAL 50 OHM FULL DETENT EWR-4536, SMPM-PCB		
molex		
DOCUMENT NO.		SHEET NO.
SD-73300-008		1 OF 3
THIS DRAWING CONTAINS INFORMATION THAT IS PROPRIETARY TO MOLEX INCORPORATED AND SHOULD NOT BE USED WITHOUT WRITTEN PERMISSION		

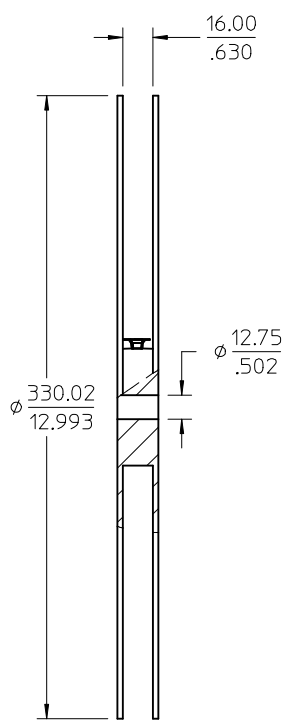
13 12 11 10 9 8 7 6 5 4 3 2 1

J I H G F E D C B A

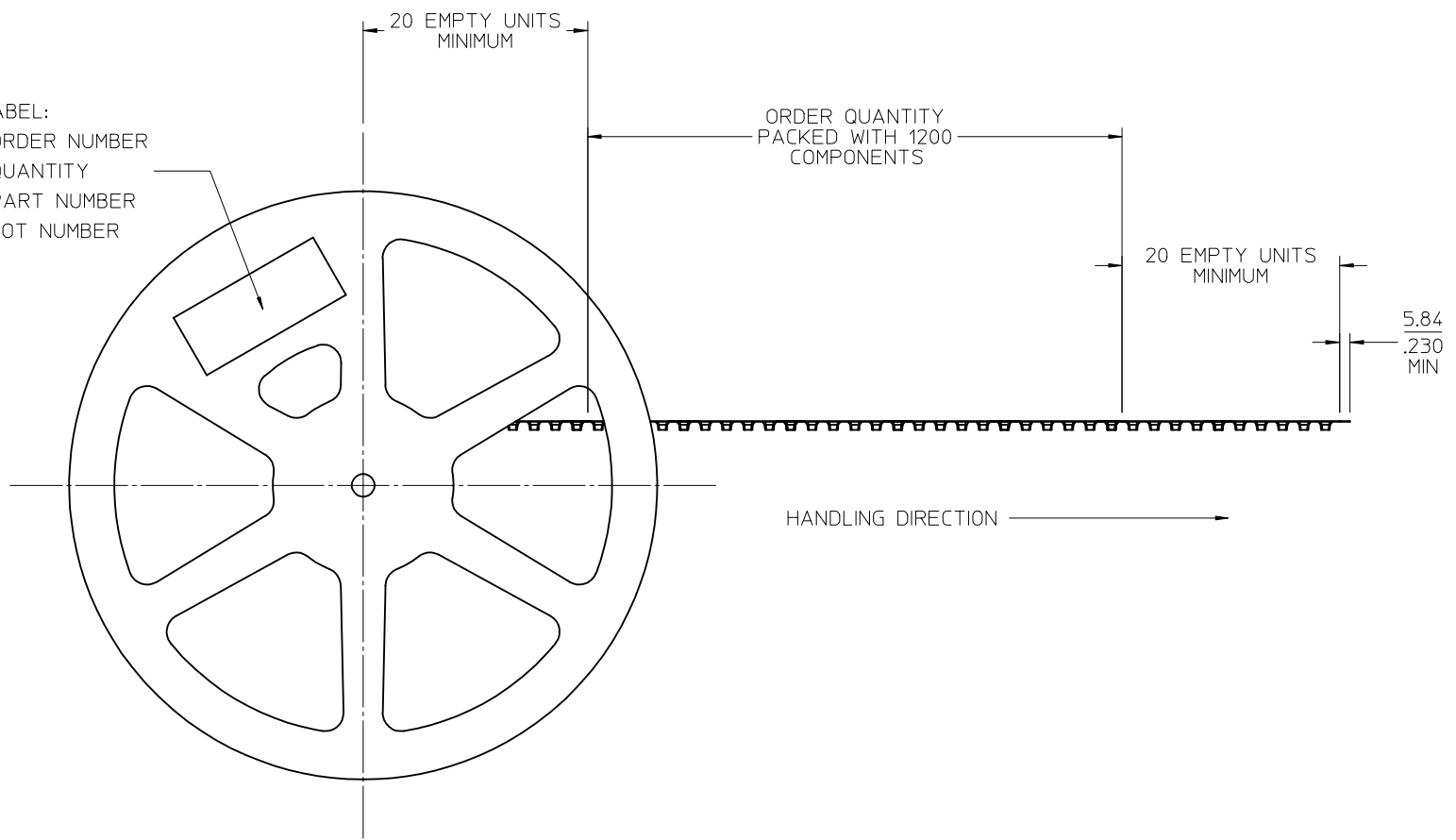


CHG:SEE SHEET 1 EC NO: URF2013-0406 2013/01/16 DRAWN:RYEH CHKD: APPR:WUJIANG A1	QUALITY SYMBOLS	GENERAL TOLERANCES (UNLESS SPECIFIED)	DIMENSION STYLE	SCALE	DESIGN UNITS	THIRD ANGLE PROJECTION
	▽=0	mm INCH	MM/IN	5:1	METRIC	
	▽=0	4 PLACES ± --- ± ---	DRAWN BY DATE	TITLE		
	▽=0	3 PLACES ± --- ± ---	JLEE02 2010/10/29	SMPM PLUG, PCB VERTICAL		
	2 PLACES ± --- ± ---	CHECKED BY DATE	50 OHM FULL DETENT			
	1 PLACE ± --- ± ---	APPROVED BY DATE	EWR-4536, SMPM-PCB			
	0 PLACE ± ±	JWIENER 2010/11/18	molex			
	ANGULAR ± 2 °	MATERIAL NO.	DOCUMENT NO.			
	DRAFT WHERE APPLICABLE MUST REMAIN WITHIN DIMENSIONS	SEE TABLE	SD-73300-008			
		SIZE C	THIS DRAWING CONTAINS INFORMATION THAT IS PROPRIETARY TO MOLEX INCORPORATED AND SHOULD NOT BE USED WITHOUT WRITTEN PERMISSION			
			SHEET NO. 2 OF 3			

tb_frame_C_P_AM-T Rev. G 2012/01/11 12 11 10 9 8 7 6 5 4 3 2 1



LABEL:
-ORDER NUMBER
-QUANTITY
-PART NUMBER
-LOT NUMBER



CHG:SEE SHEET 1
EC NO: URF2013-0406
DRAWN:YEH 2013/01/16
CHKD:
APPR:MHUANG 2013/01/29

REV	DESCRIPTION
A1	

QUALITY SYMBOLS	DESCRIPTION
$\nabla = 0$	
$\nabla = 0$	
$\nabla = 0$	

GENERAL TOLERANCES (UNLESS SPECIFIED)	
	MM/IN
4 PLACES	\pm ---
3 PLACES	\pm ---
2 PLACES	\pm ---
1 PLACE	\pm ---
0 PLACE	\pm ---
ANGULAR $\pm 2^\circ$	

DIMENSION STYLE		SCALE	DESIGN UNITS	THIRD ANGLE PROJECTION
MM/IN		1:2	METRIC	
DRAWN BY JLEE02		DATE 2010/10/29		
CHECKED BY		DATE		
APPROVED BY JWIENER		DATE 2010/11/18		
MATERIAL NO.		DOCUMENT NO.		
SEE TABLE		SD-73300-008		
SIZE		SHEET NO. 3 OF 3		

DRAFT WHERE APPLICABLE MUST REMAIN WITHIN DIMENSIONS

THIS DRAWING CONTAINS INFORMATION THAT IS PROPRIETARY TO MOLEX INCORPORATED AND SHOULD NOT BE USED WITHOUT WRITTEN PERMISSION