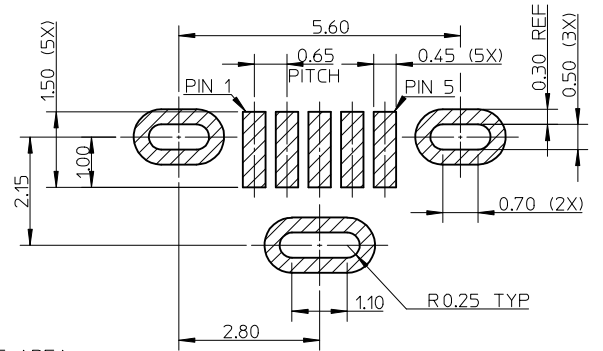
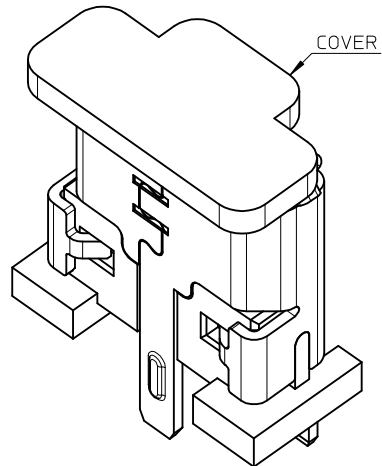
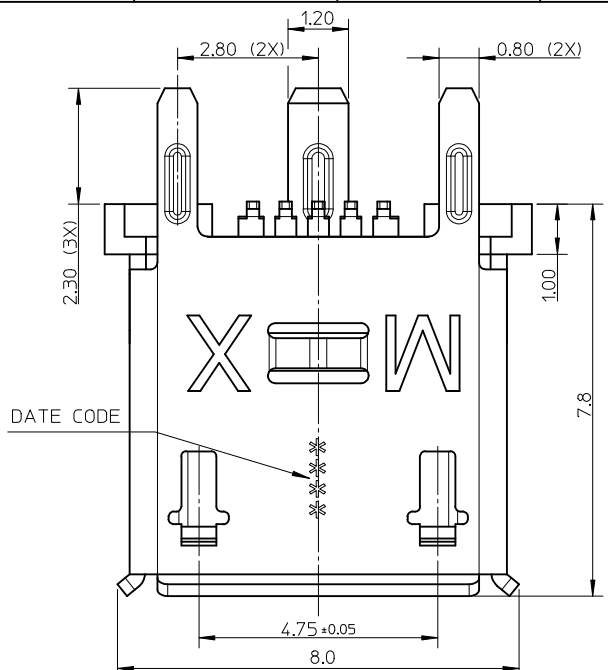
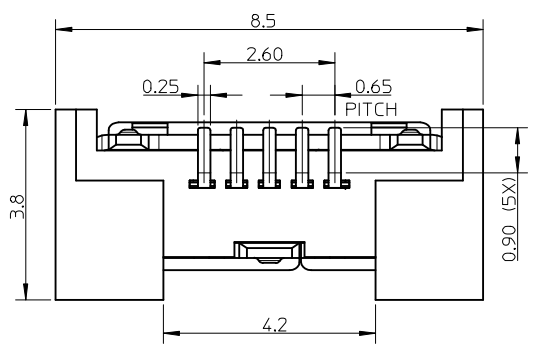
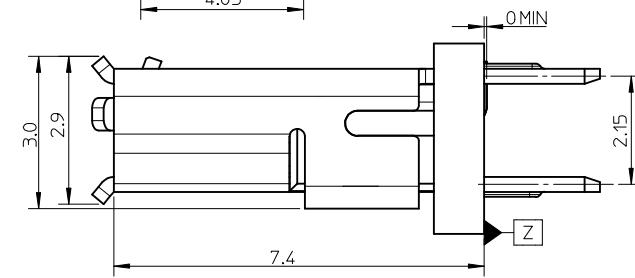
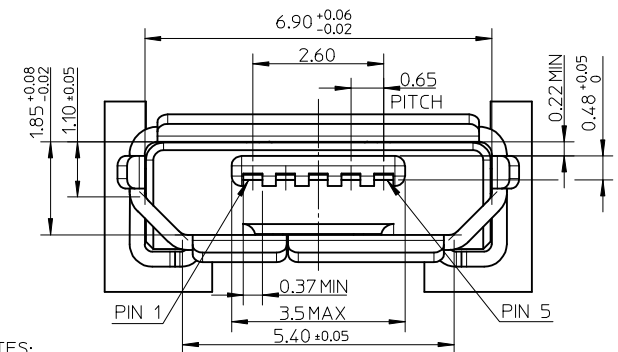
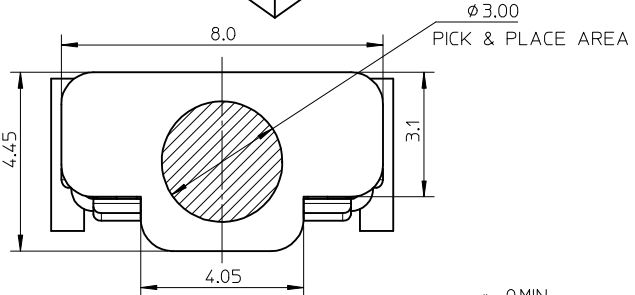


10 9 8 7 6 5 4 3 2 1



RECOMMENDED PCB LAYOUT (THICKNESS=1.6mm)
GENERAL TOLERANCE: ±0.05



- NOTES:
- MATERIAL:
HOUSING & COVER: HIGH TEMPERATURE THERMOPLASTIC, BLACK, UL94V-0;
TERMINAL: COPPER ALLOY, THICKNESS: 0.15mm;
SHELL: STAINLESS STEEL, THICKNESS: 0.30mm.
 - PLATING:
TERMINAL: CONTACT AREA: GOLD FLASH OVER MINIMUM 0.75 MICRON Pd/Ni;
SOLDER TAIL AREA: GOLD FLASH;
UNDER PLATING: NICKEL 2.0 MICROMN MINIMUM.
SHELL: MATTE TIN 1.27 MICRON MINIMUM;
UNDER PLATING: NICKEL 1.27 MICRON MINIMUM.
 - TAIL COPLANARITY 0.08mm MAXIMUM.
 - PRODUCT SPECIFICATION: PS-47642-001.
 - PACKAGE SPECIFICATION: PK-105133-002.
 - COMPLIANT TO RoHS DIRECTIVE 2002/95/EC AND ELV 2000/53/EC.

NEW RELEASE EC NO: SH2014-0105 DRWN:XQZHANG 2013/09/06 CHKD:XQZHANG 2013/09/06 APPR:AYIN 2013/11/25	QUALITY SYMBOLS F _A =0 F _C =0 F _P =0	GENERAL TOLERANCES (UNLESS SPECIFIED)		DIMENSION STYLE MM ONLY		SCALE 1:1	DESIGN UNITS METRIC	THIRD ANGLE PROJECTION	
			mm	INCH	DRAWN BY XQZHANG	DATE 2013/04/03	TITLE SALES DRAWING FOR USB MICRO-B, VERTICAL TYPE		
		4 PLACES	± ---	± ---	CHECKED BY XQZHANG	DATE 2013/04/03			
			± 0.20	± ---	APPROVED BY AYIN	DATE 2013/11/25	DOCUMENT NO. SD-105133-021		
3 PLACES	± ---	± ---	MATERIAL NO. 105133-0021		SHEET NO. 1 OF 1				
	± 0.25	± ---	DRAFT WHERE APPLICABLE MUST REMAIN WITHIN DIMENSIONS		THIS DRAWING CONTAINS INFORMATION THAT IS PROPRIETARY TO MOLEX INCORPORATED AND SHOULD NOT BE USED WITHOUT WRITTEN PERMISSION				
	± ---	± ---	ANGULAR ± 3 °						

9 8 7 6 5 4 3 2 1