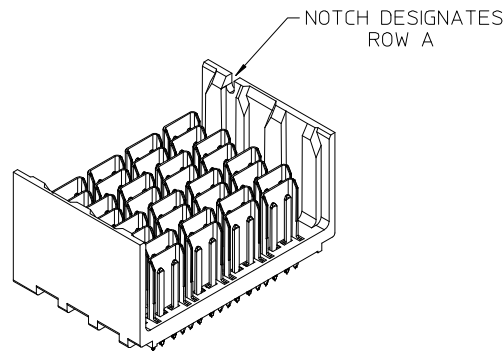
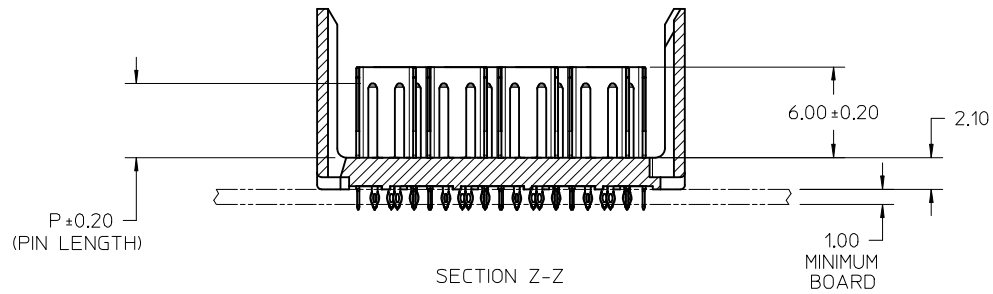
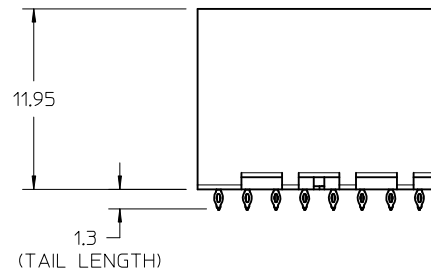
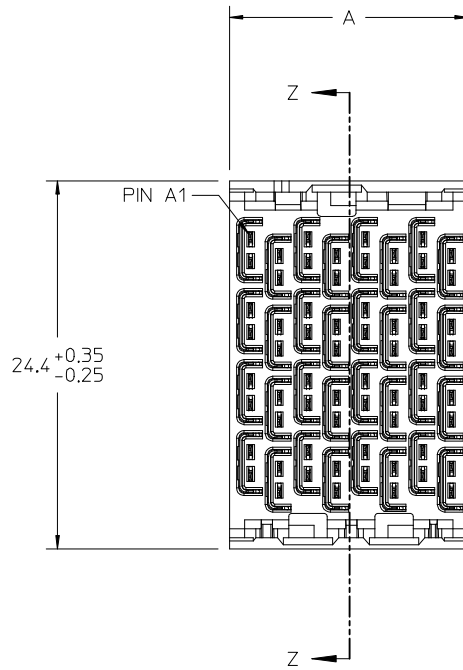


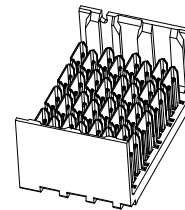
NOTES:

1. MATERIALS: HOUSING - LIQUID CRYSTAL POLYMER (LCP)  
GLASS-FILLED, UL94V-0  
TERMINALS - HIGH PERFORMANCE COPPER ALLOY
2. FINISH: 30µIN GOLD IN CONTACT AREA,  
SELECTIVE TIN ON PCB TAILS.  
NICKEL OVERALL.
3. REFER TO MOLEX PRODUCT SPECIFICATION PS-171320-999 FOR PERFORMANCE SPECIFICATIONS.
4. THIS PART CONFORMS TO CLASS B REQUIREMENTS OF MOLEX COSMETIC SPEC PS-45499-002.
5. PRODUCT WILL BE PACKAGED PER PK-78888-084.
6. SEE SHEETS 2 AND 3 FOR HOLE PATTERN AND MATED PART DIMENSIONS.
7. MATES WITH IMPEL DC SERIES NUMBER 171320.
8. REFER TO IMPEL PCB ROUTING GUIDE AS-171320-990 FOR ANTIPAD, ROUTING RECOMMENDATIONS, AND ADDITIONAL PCB INFORMATION.
9. WHEN STACKING MODULES END TO END, THE MINIMUM COLUMN TO COLUMN SPACING IS 2.65mm.

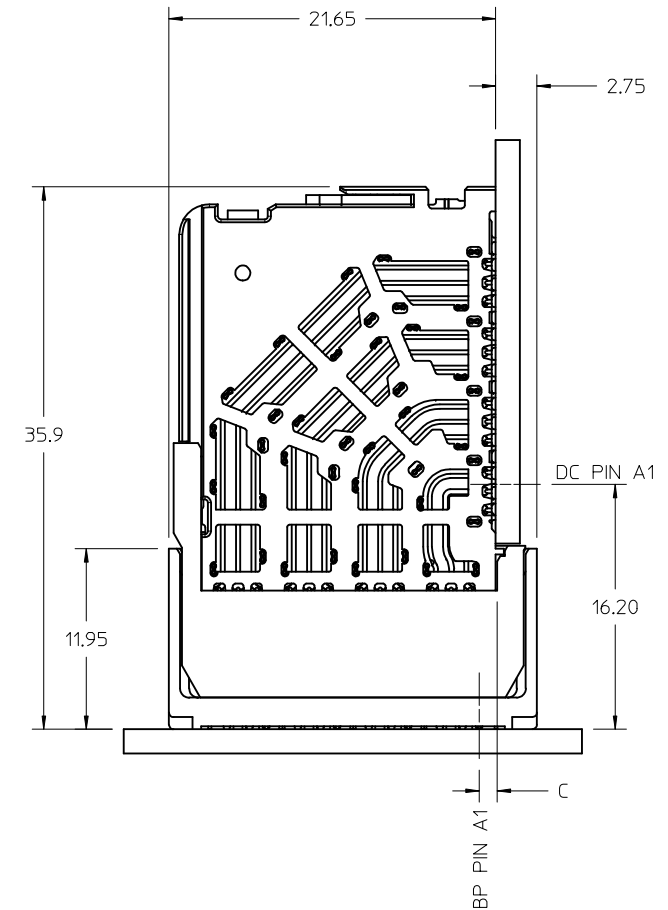


<b>PRODUCTION RELEASE</b> EC NO: UCP2014-2432 DRWN:BJANOWIAK 2013/12/06 CHKD: APPR:JLAURX 2013/12/09 REV: A	QUALITY SYMBOLS ▽=0 ▽=0 ▽=0	GENERAL TOLERANCES (UNLESS SPECIFIED)		DIMENSION STYLE <b>MM ONLY</b>	SCALE <b>4:1</b>	DESIGN UNITS <b>METRIC</b>	THIRD ANGLE PROJECTION
		4 PLACES ± --- ± ---	DRAWN BY B.JANOWIAK	DATE 2012/09/18	TITLE <b>IMPEL 4 PAIR BACKPLANE                  UNGUIDED ASSEMBLY                  SALES DRAWING</b>		
		3 PLACES ± --- ± ---	CHECKED BY	DATE	MOLEX MOLEX INCORPORATED		
		2 PLACES ± 0.13 ± --- 1 PLACE ± 0.25 ± --- ANGULAR ± 1/2°	APPROVED BY JLAURX	DATE 2013/12/09	MATERIAL NO. <b>SEE CHART</b>	DOCUMENT NO. <b>SD-171315-0001</b>	SHEET NO. 1 OF 6
DRAFT WHERE APPLICABLE MUST REMAIN WITHIN DIMENSIONS		THIS DRAWING CONTAINS INFORMATION THAT IS PROPRIETARY TO MOLEX INCORPORATED AND SHOULD NOT BE USED WITHOUT WRITTEN PERMISSION					

MATERIAL NUMBER	NUMBER OF COLUMNS	NUMBER OF DIFF PAIR	DIM "A"	DIM "B"	DIM "C"	DIM "P"	PTH $\phi$
171315-1804	8	32	15.80	13.30	1.10	4.90	0.46±0.05
171315-1805	8	32	15.80	13.30	1.10	5.50	0.46±0.05
171315-1807	8	32	15.80	13.30	1.20	4.90	0.36±0.05
171315-1808	8	32	15.80	13.30	1.20	5.50	0.36±0.05
171315-1104	10	40	19.60	17.10	1.10	4.90	0.46±0.05
171315-1105	10	40	19.60	17.10	1.10	5.50	0.46±0.05
171315-1107	10	40	19.60	17.10	1.20	4.90	0.36±0.05
171315-1108	10	40	19.60	17.10	1.20	5.50	0.36±0.05
171315-1604	16	64	31.00	28.50	1.10	4.90	0.46±0.05
171315-1605	16	64	31.00	28.50	1.10	5.50	0.46±0.05
171315-1607	16	64	31.00	28.50	1.20	4.90	0.36±0.05
171315-1608	16	64	31.00	28.50	1.20	5.50	0.36±0.05



OPEN  
WALL OPTION



MATED PART DIMENSIONS

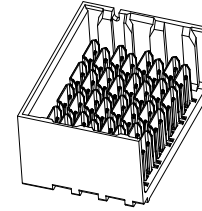
171315-1\*\*\*

MODULE TYPE ————— PIN LENGTH (P)  
1 = UNGUIDED  
4 = 4.90 (0.46 PTH)  
5 = 5.50 (0.46 PTH)  
7 = 4.90 (0.36 PTH)  
8 = 5.50 (0.36 PTH)

# OF COLUMNS ————— HOUSING STYLE  
8 = 8 COL  
1 = 10 COL  
6 = 16 COL  
0 = OPEN ENDS  
1 = LEFT END WALL  
2 = DUAL END WALL  
3 = RIGHT END WALL

<b>SEE SHEET 1</b> EC NO: UCP2014-2432 DRAWN: JANOWIAK 2013/12/06 CHKD: APPR: JLAURX 2013/12/09 REV: A	QUALITY SYMBOLS 	GENERAL TOLERANCES (UNLESS SPECIFIED) <table border="1"> <thead> <tr> <th></th> <th>mm</th> <th>INCH</th> </tr> </thead> <tbody> <tr> <td>4 PLACES</td> <td>± ---</td> <td>± ---</td> </tr> <tr> <td>3 PLACES</td> <td>± ---</td> <td>± ---</td> </tr> <tr> <td>2 PLACES</td> <td>± 0.13</td> <td>± ---</td> </tr> <tr> <td>1 PLACE</td> <td>± 0.25</td> <td>± ---</td> </tr> </tbody> </table>		mm	INCH	4 PLACES	± ---	± ---	3 PLACES	± ---	± ---	2 PLACES	± 0.13	± ---	1 PLACE	± 0.25	± ---	DIMENSION STYLE <b>MM ONLY</b> DRAWN BY: B JANOWIAK DATE: 2012/09/18 CHECKED BY: _____ DATE: _____ APPROVED BY: J LAURX DATE: 2013/12/09	SCALE: 4:1 DESIGN UNITS: METRIC THIRD ANGLE PROJECTION	TITLE: IMPEL 4 PAIR BACKPLANE UNGUIDED ASSEMBLY SALES DRAWING MOLEX INCORPORATED DOCUMENT NO. SD-171315-0001 SHEET NO. 2 OF 6
		mm	INCH																	
4 PLACES	± ---	± ---																		
3 PLACES	± ---	± ---																		
2 PLACES	± 0.13	± ---																		
1 PLACE	± 0.25	± ---																		
DRAFT WHERE APPLICABLE MUST REMAIN WITHIN DIMENSIONS		MATERIAL NO. SEE CHART SIZE C THIS DRAWING CONTAINS INFORMATION THAT IS PROPRIETARY TO MOLEX INCORPORATED AND SHOULD NOT BE USED WITHOUT WRITTEN PERMISSION																		

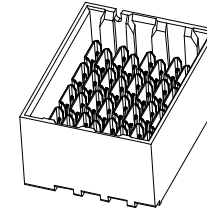
MATERIAL NUMBER	NUMBER OF COLUMNS	NUMBER OF DIFF PAIR	DIM "A"	DIM "B"	DIM "C"	DIM "P"	PTH $\phi$
171315-1814	8	32	17.20	13.30	1.10	4.90	0.46±0.05
171315-1815	8	32	17.20	13.30	1.10	5.50	0.46±0.05
171315-1817	8	32	17.20	13.30	1.20	4.90	0.36±0.05
171315-1818	8	32	17.20	13.30	1.20	5.50	0.36±0.05
171315-1114	10	40	21.00	17.10	1.10	4.90	0.46±0.05
171315-1115	10	40	21.00	17.10	1.10	5.50	0.46±0.05
171315-1117	10	40	21.00	17.10	1.20	4.90	0.36±0.05
171315-1118	10	40	21.00	17.10	1.20	5.50	0.36±0.05
171315-1614	16	64	32.40	28.50	1.10	4.90	0.46±0.05
171315-1615	16	64	32.40	28.50	1.10	5.50	0.46±0.05
171315-1617	16	64	32.40	28.50	1.20	4.90	0.36±0.05
171315-1618	16	64	32.40	28.50	1.20	5.50	0.36±0.05



LEFT END  
WALL OPTION

SEE SHEET 1 EC NO: UCP2014-2432 DRAWN: BJANOWIAK 2013/12/06 CHKD: APPR: JLAURX 2013/12/09	DESCRIPTION REV A	QUALITY SYMBOLS	GENERAL TOLERANCES (UNLESS SPECIFIED)	DIMENSION STYLE	SCALE	DESIGN UNITS	THIRD ANGLE PROJECTION																										
		$\nabla = 0$ $\nabla = 0$ $\nabla = 0$	<table border="1"> <tr><th colspan="2">mm</th><th>INCH</th></tr> <tr><td>4 PLACES</td><td>± ---</td><td>± ---</td></tr> <tr><td>3 PLACES</td><td>± ---</td><td>± ---</td></tr> <tr><td>2 PLACES</td><td>± 0.13</td><td>± ---</td></tr> <tr><td>1 PLACE</td><td>± 0.25</td><td>± ---</td></tr> <tr><td>0 PLACE</td><td>± ---</td><td>± ---</td></tr> </table>	mm		INCH	4 PLACES	± ---	± ---	3 PLACES	± ---	± ---	2 PLACES	± 0.13	± ---	1 PLACE	± 0.25	± ---	0 PLACE	± ---	± ---	MM ONLY	4:1	METRIC									
		mm		INCH																													
		4 PLACES	± ---	± ---																													
3 PLACES	± ---	± ---																															
2 PLACES	± 0.13	± ---																															
1 PLACE	± 0.25	± ---																															
0 PLACE	± ---	± ---																															
	<table border="1"> <tr><td colspan="2">DRAWN BY</td><td>DATE</td></tr> <tr><td colspan="2">CHECKED BY</td><td>DATE</td></tr> <tr><td colspan="2">APPROVED BY</td><td>DATE</td></tr> <tr><td colspan="2">MATERIAL NO.</td><td>DOCUMENT NO.</td></tr> </table>	DRAWN BY		DATE	CHECKED BY		DATE	APPROVED BY		DATE	MATERIAL NO.		DOCUMENT NO.	<table border="1"> <tr><td colspan="2">DRAWN BY</td><td>DATE</td></tr> <tr><td colspan="2">CHECKED BY</td><td>DATE</td></tr> <tr><td colspan="2">APPROVED BY</td><td>DATE</td></tr> <tr><td colspan="2">MATERIAL NO.</td><td>DOCUMENT NO.</td></tr> </table>	DRAWN BY		DATE	CHECKED BY		DATE	APPROVED BY		DATE	MATERIAL NO.		DOCUMENT NO.	<table border="1"> <tr><td colspan="2">TITLE</td><td>SHEET NO.</td></tr> <tr><td colspan="2">3 OF 6</td><td></td></tr> </table>	TITLE		SHEET NO.	3 OF 6		
DRAWN BY		DATE																															
CHECKED BY		DATE																															
APPROVED BY		DATE																															
MATERIAL NO.		DOCUMENT NO.																															
DRAWN BY		DATE																															
CHECKED BY		DATE																															
APPROVED BY		DATE																															
MATERIAL NO.		DOCUMENT NO.																															
TITLE		SHEET NO.																															
3 OF 6																																	
	ANGULAR ±1/2° DRAFT WHERE APPLICABLE MUST REMAIN WITHIN DIMENSIONS	SEE CHART THIS DRAWING CONTAINS INFORMATION THAT IS PROPRIETARY TO MOLEX INCORPORATED AND SHOULD NOT BE USED WITHOUT WRITTEN PERMISSION	IMPEL 4 PAIR BACKPLANE UNGUIDED ASSEMBLY SALES DRAWING <b>molex</b> SD-171315-0001																														

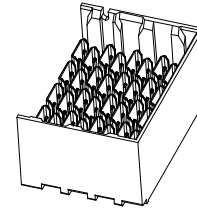
MATERIAL NUMBER	NUMBER OF COLUMNS	NUMBER OF DIFF PAIR	DIM "A"	DIM "B"	DIM "C"	DIM "P"	PTH $\phi$
171315-1824	8	32	18.60	13.30	1.10	4.90	0.46+0.05
171315-1825	8	32	18.60	13.30	1.10	5.50	0.46+0.05
171315-1827	8	32	18.60	13.30	1.20	4.90	0.36+0.05
171315-1828	8	32	18.60	13.30	1.20	5.50	0.36+0.05
171315-1124	10	40	22.40	17.10	1.10	4.90	0.46+0.05
171315-1125	10	40	22.40	17.10	1.10	5.50	0.46+0.05
171315-1127	10	40	22.40	17.10	1.20	4.90	0.36+0.05
171315-1128	10	40	22.40	17.10	1.20	5.50	0.36+0.05
171315-1624	16	64	33.80	28.50	1.10	4.90	0.46+0.05
171315-1625	16	64	33.80	28.50	1.10	5.50	0.46+0.05
171315-1627	16	64	33.80	28.50	1.20	4.90	0.36+0.05
171315-1628	16	64	33.80	28.50	1.20	5.50	0.36+0.05



DUAL END  
WALL OPTION

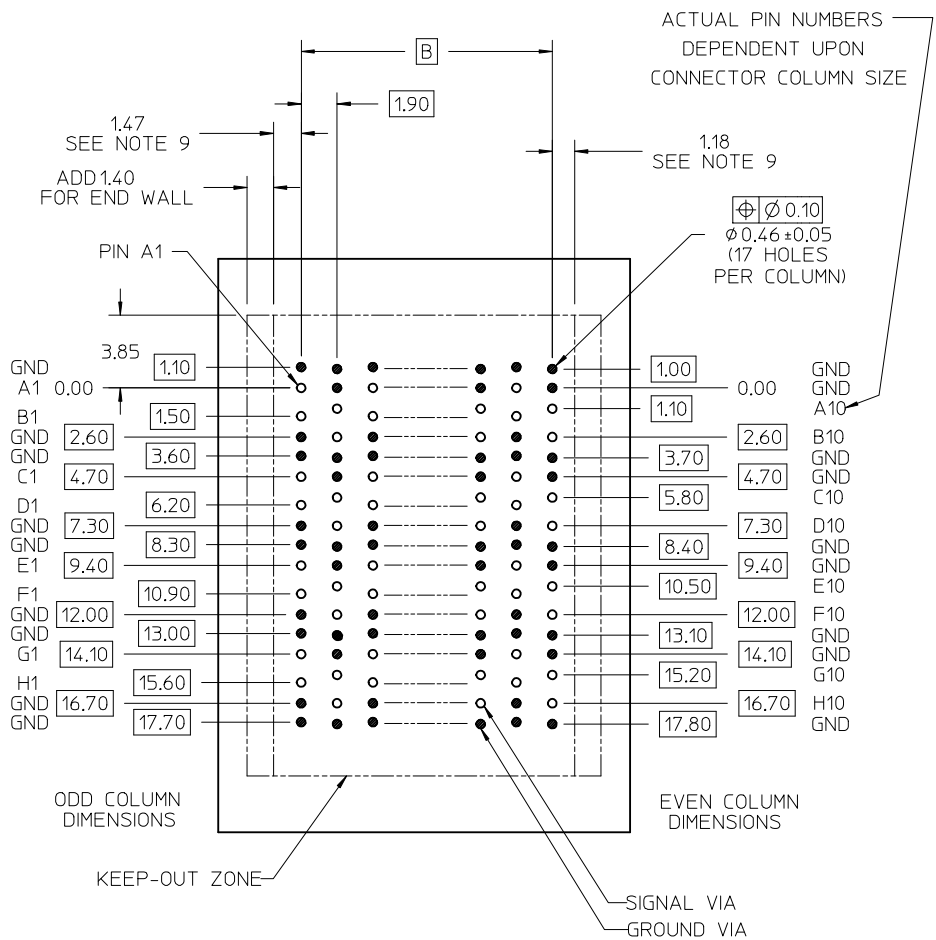
SEE SHEET 1 EC NO: UCP2014-2432 DRWN:BJANOWIAK 2013/12/06 CHKD: APPR:JLAURX 2013/12/09	QUALITY SYMBOLS = 0 = 0 = 0	GENERAL TOLERANCES (UNLESS SPECIFIED)		DIMENSION STYLE	SCALE	DESIGN UNITS	THIRD ANGLE PROJECTION	
				MM ONLY	4:1	METRIC		
				TITLE	IMPEL 4 PAIR BACKPLANE UNGUIDED ASSEMBLY SALES DRAWING			
				DRAWN BY DATE BJANOWIAK 2012/09/18		CHECKED BY DATE		
REV A	DESCRIPTION	ANGULAR $\pm 1/2^\circ$		MATERIAL NO.	DOCUMENT NO.		SHEET NO.	
		DRAFT WHERE APPLICABLE MUST REMAIN WITHIN DIMENSIONS		SEE CHART	SD-171315-0001		4 OF 6	
				THIS DRAWING CONTAINS INFORMATION THAT IS PROPRIETARY TO MOLEX INCORPORATED AND SHOULD NOT BE USED WITHOUT WRITTEN PERMISSION				

MATERIAL NUMBER	NUMBER OF COLUMNS	NUMBER OF DIFF PAIR	DIM "A"	DIM "B"	DIM "C"	DIM "P"	PTH $\phi$
171315-1834	8	32	17.20	13.30	1.10	4.90	0.46±0.05
171315-1835	8	32	17.20	13.30	1.10	5.50	0.46±0.05
171315-1837	8	32	17.20	13.30	1.20	4.90	0.36±0.05
171315-1838	8	32	17.20	13.30	1.20	5.50	0.36±0.05
171315-1134	10	40	21.00	17.10	1.10	4.90	0.46±0.05
171315-1135	10	40	21.00	17.10	1.10	5.50	0.46±0.05
171315-1137	10	40	21.00	17.10	1.20	4.90	0.36±0.05
171315-1138	10	40	21.00	17.10	1.20	5.50	0.36±0.05
171315-1634	16	64	32.40	28.50	1.10	4.90	0.46±0.05
171315-1635	16	64	32.40	28.50	1.10	5.50	0.46±0.05
171315-1637	16	64	32.40	28.50	1.20	4.90	0.36±0.05
171315-1638	16	64	32.40	28.50	1.20	5.50	0.36±0.05

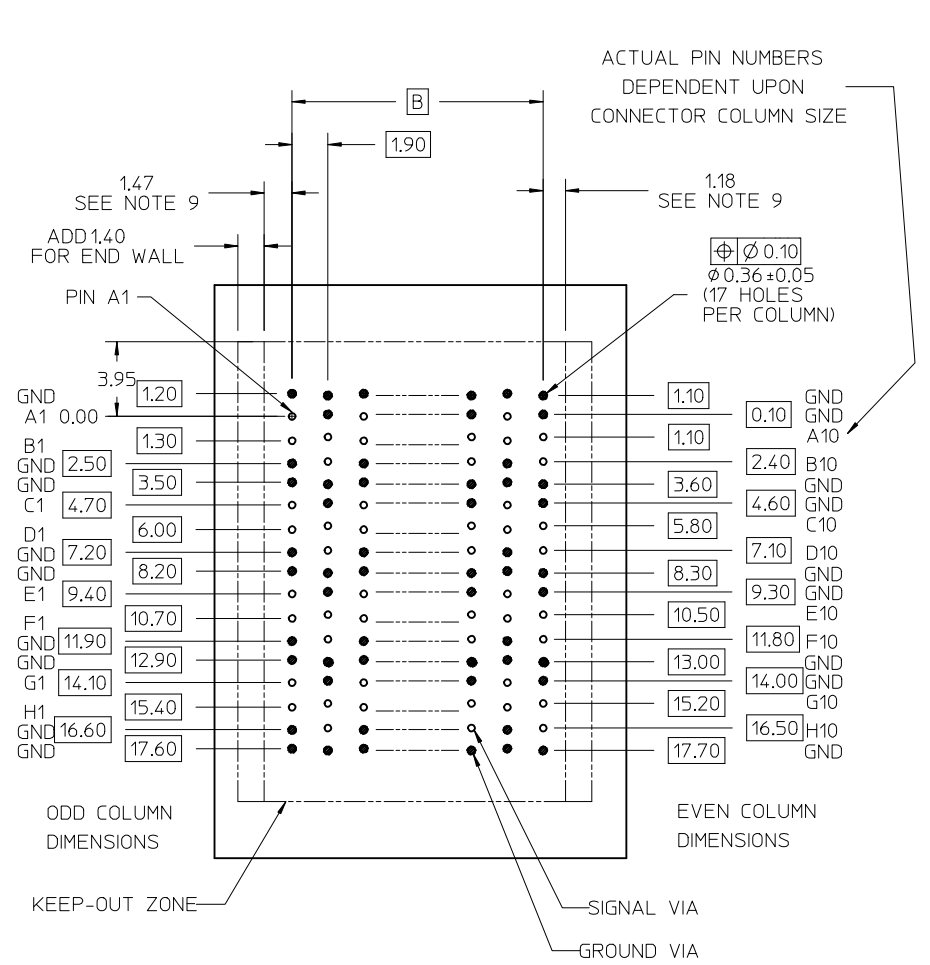


RIGHT END  
WALL OPTION

SEE SHEET 1 EC NO: UCP2014-2432 DRWNB: JANOWIAK 2013/12/06 CHKD: APPR: JLAURX 2013/12/09	DESCRIPTION REV	QUALITY SYMBOLS	GENERAL TOLERANCES (UNLESS SPECIFIED)	DIMENSION STYLE	SCALE	DESIGN UNITS	THIRD ANGLE PROJECTION																							
		$\nabla = 0$ $\nabla = 0$ $\nabla = 0$	<table border="1"> <tr><th colspan="2">mm</th><th>INCH</th></tr> <tr><td>4 PLACES</td><td>± ---</td><td>± ---</td></tr> <tr><td>3 PLACES</td><td>± ---</td><td>± ---</td></tr> <tr><td>2 PLACES</td><td>± 0.13</td><td>± ---</td></tr> <tr><td>1 PLACE</td><td>± 0.25</td><td>± ---</td></tr> <tr><td>0 PLACE</td><td>± ---</td><td>± ---</td></tr> </table>	mm		INCH	4 PLACES	± ---	± ---	3 PLACES	± ---	± ---	2 PLACES	± 0.13	± ---	1 PLACE	± 0.25	± ---	0 PLACE	± ---	± ---	MM ONLY	4:1	METRIC						
		mm		INCH																										
		4 PLACES	± ---	± ---																										
3 PLACES	± ---	± ---																												
2 PLACES	± 0.13	± ---																												
1 PLACE	± 0.25	± ---																												
0 PLACE	± ---	± ---																												
	<table border="1"> <tr><td colspan="2">DRAWN BY</td><td>DATE</td></tr> <tr><td colspan="2">CHECKED BY</td><td>DATE</td></tr> <tr><td colspan="2">APPROVED BY</td><td>DATE</td></tr> <tr><td colspan="2">MATERIAL NO.</td><td>DOCUMENT NO.</td></tr> </table>	DRAWN BY		DATE	CHECKED BY		DATE	APPROVED BY		DATE	MATERIAL NO.		DOCUMENT NO.	<table border="1"> <tr><td colspan="2">DRAWN BY</td><td>DATE</td></tr> <tr><td colspan="2">CHECKED BY</td><td>DATE</td></tr> <tr><td colspan="2">APPROVED BY</td><td>DATE</td></tr> <tr><td colspan="2">MATERIAL NO.</td><td>DOCUMENT NO.</td></tr> </table>	DRAWN BY		DATE	CHECKED BY		DATE	APPROVED BY		DATE	MATERIAL NO.		DOCUMENT NO.	TITLE IMPEL 4 PAIR BACKPLANE UNGUIDED ASSEMBLY SALES DRAWING 			SHEET NO.
DRAWN BY		DATE																												
CHECKED BY		DATE																												
APPROVED BY		DATE																												
MATERIAL NO.		DOCUMENT NO.																												
DRAWN BY		DATE																												
CHECKED BY		DATE																												
APPROVED BY		DATE																												
MATERIAL NO.		DOCUMENT NO.																												
A			ANGULAR ±1/2° DRAFT WHERE APPLICABLE MUST REMAIN WITHIN DIMENSIONS	SEE CHART SIZE C	SD-171315-0001 THIS DRAWING CONTAINS INFORMATION THAT IS PROPRIETARY TO MOLEX INCORPORATED AND SHOULD NOT BE USED WITHOUT WRITTEN PERMISSION	5 OF 6																								



BACKPLANE HOLE PATTERN FOR  $\phi 0.46$  PTH (CONNECTOR SIDE)



BACKPLANE HOLE PATTERN FOR  $\phi 0.36$  PTH (CONNECTOR SIDE)

<b>SEE SHEET 1</b> EC NO: UCP2014-2432 DRAWN BY: B.JANOWIAK 2013/12/06 CHKD: JLAURX APPR: JLAURX 2013/12/09	QUALITY SYMBOLS	GENERAL TOLERANCES (UNLESS SPECIFIED)	DIMENSION STYLE <b>MM ONLY</b>	SCALE <b>5:1</b>	DESIGN UNITS <b>METRIC</b>	THIRD ANGLE PROJECTION
	$\nabla = 0$	4 PLACES $\pm$ --- $\pm$ ---	DRAWN BY: B.JANOWIAK DATE: 2012/09/18	TITLE <b>IMPEL 4 PAIR BACKPLANE UNGUIDED ASSEMBLY SALES DRAWING</b>		
	$\nabla = 0$	3 PLACES $\pm$ --- $\pm$ ---	CHECKED BY: DATE:	MOLEX INCORPORATED		
	$\nabla = 0$	2 PLACES $\pm 0.13$ $\pm$ ---	APPROVED BY: JLAURX DATE: 2013/12/09	DOCUMENT NO. <b>SD-171315-0001</b>		
		1 PLACE $\pm 0.25$ $\pm$ ---	MATERIAL NO.			SHEET NO. <b>6 OF 6</b>
		ANGULAR $\pm 1/2^\circ$	DRAFT WHERE APPLICABLE MUST REMAIN WITHIN DIMENSIONS			
			SEE CHART			
			THIS DRAWING CONTAINS INFORMATION THAT IS PROPRIETARY TO MOLEX INCORPORATED AND SHOULD NOT BE USED WITHOUT WRITTEN PERMISSION			