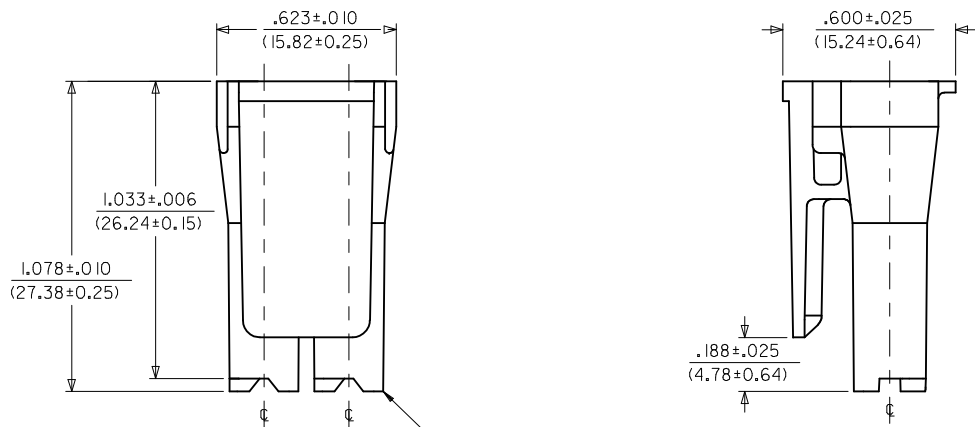


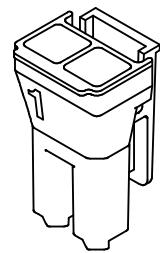
NOTES:

1. MATERIAL: SEE CHART.
2. THIS CONNECTOR HOUSING FOR USE WITH 171825 TERMINALS.
3. THE CONNECTOR HOUSING WILL MATE TO 172042, 172043, & 172673.
4. PRODUCT SPECIFICATION: PS-171825-001.
5. PACKAGING: PK-44441-001.
6. FOR V-0 MATERIAL: PARTS CONFORM TO CLASS 'B' REQUIREMENTS OF COSMETIC SPECIFICATION PS-45499-002 BUT, MEETS CLASS 'C' REQUIREMENTS FOR BUBBLES, SINK AND DISCOLORATION.

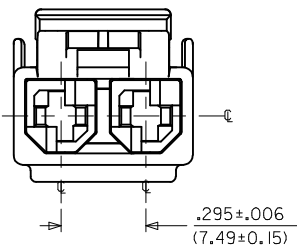
ITEM NUMBER	MATERIAL	COLOR
172672-2002	UL94V-0 NYLON	BLACK
172672-3002	UL94V-2 NYLON, IEC 60335-1 GLOW WIRE CAPABLE	BLACK



CIRCUIT 1



172672-*002
(NO SCALE)

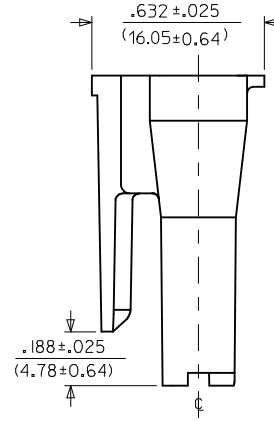
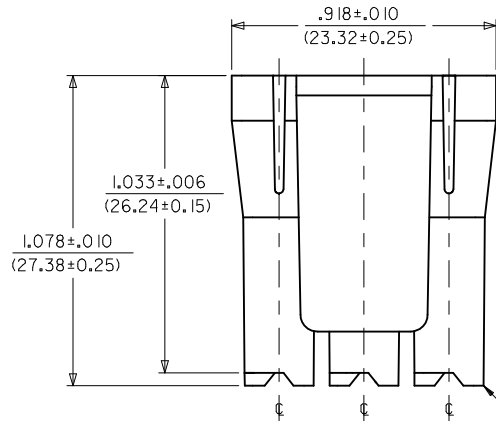


REMOVE OPTION EC NO: UCP2015-0770 DRWN: JDFOX CHKD: BANDERSON APPR: FSMITH	2014/08/18 2014/08/18 2014/08/25	QUALITY SYMBOLS	GENERAL TOLERANCES (UNLESS SPECIFIED)		DIMENSION STYLE	SCALE	DESIGN UNITS	THIRD ANGLE PROJECTION	
		▽=0	mm	INCH	IN/MM	3:1	INCH		
		▽=0	4 PLACES ± --- ± ---	3 PLACES ± --- ± .010	DRAWN BY	DATE	TITLE		
		▽=0	2 PLACES ± 0.25 ± .014	1 PLACE ± 0.35 ± ---	JDFOX	2014/07/25	SUPER-SABRE RECEPTACLE HOUSING		
A1	DESCRIPTION	DRAFT WHERE APPLICABLE MUST REMAIN WITHIN DIMENSIONS		APPROVED BY	DATE	DOCUMENT NO.		SHEET NO.	
		ANGULAR ±1/2°		FSMITH	2014/07/31	SD-172672-001		1 OF 8	
		SIZE C		SEE CHART				THIS DRAWING CONTAINS INFORMATION THAT IS PROPRIETARY TO MOLEX INCORPORATED AND SHOULD NOT BE USED WITHOUT WRITTEN PERMISSION	

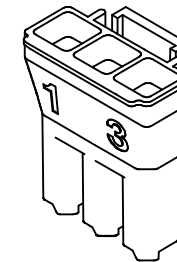
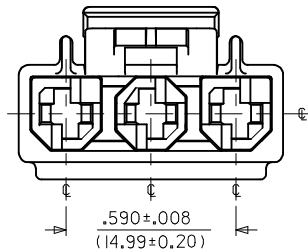
NOTES:

1. MATERIAL: SEE CHART.
2. THIS CONNECTOR HOUSING FOR USE WITH 171825 TERMINALS.
3. THE CONNECTOR HOUSING WILL MATE TO 172042, 172043, & 172673.
4. PRODUCT SPECIFICATION: PS-171825-001.
5. PACKAGING: PK-44441-001.
6. FOR V-0 MATERIAL: PARTS CONFORM TO CLASS 'B' REQUIREMENTS OF COSMETIC SPECIFICATION PS-45499-002 BUT, MEETS CLASS 'C' REQUIREMENTS FOR BUBBLES, SINK AND DISCOLORATION.

ITEM NUMBER	MATERIAL	COLOR
172672-2003	UL94V-0 NYLON	BLACK
172672-3003	UL94V-2 NYLON IEC 60335-1 GLOW WIRE CAPABLE	BLACK



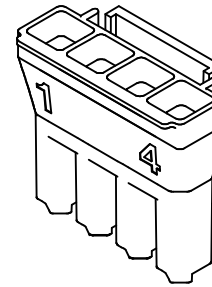
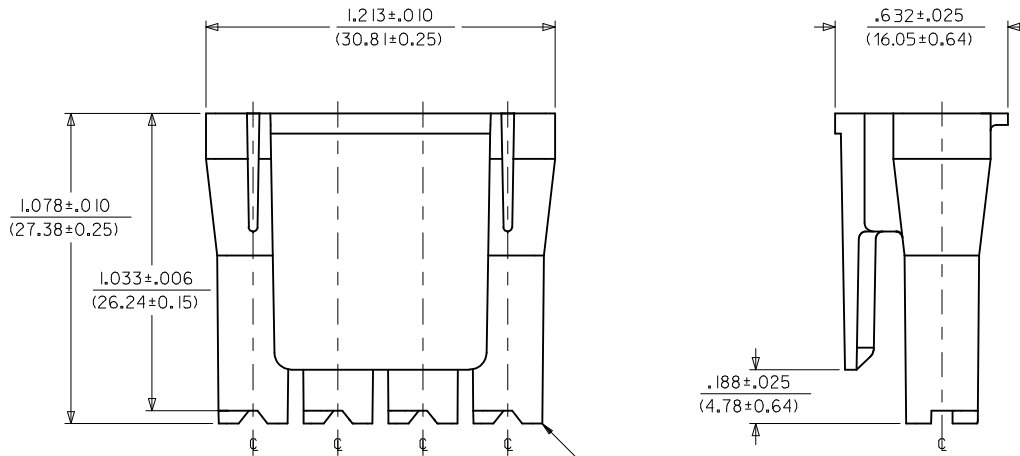
CIRCUIT 1



172672-x003
(NO SCALE)

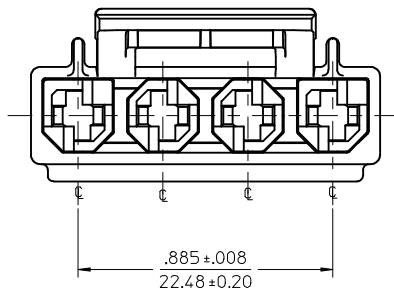
SEE SHEET 1 EC NO: UCP2015-0710 DRWN: JDOX CHKD: BANDERSON APPR: FSMITH	2014/08/18 2014/08/18 2014/08/25	QUALITY SYMBOLS ▽=0 ▽=0 ▽=0	GENERAL TOLERANCES (UNLESS SPECIFIED)		DIMENSION STYLE IN/MM		SCALE 3:1	DESIGN UNITS INCH	THIRD ANGLE PROJECTION		
			4 PLACES ± --- ± ---	mm	INCH	DRAWN BY DATE JDOX 2014/07/25		TITLE SUPER-SABRE RECEPTACLE HOUSING			
			3 PLACES ± --- ± .010			CHECKED BY DATE BANDERSON 2014/07/25		molex			
			2 PLACES ± 0.25 ± .014			APPROVED BY DATE FSMITH 2014/07/31		MATERIAL NO. SEE CHART		DOCUMENT NO. SD-172672-001	SHEET NO. 2 OF 8
1 PLACE ± 0.35 ± ---			ANGULAR ±1/2°		DRAFT WHERE APPLICABLE MUST REMAIN WITHIN DIMENSIONS		THIS DRAWING CONTAINS INFORMATION THAT IS PROPRIETARY TO MOLEX INCORPORATED AND SHOULD NOT BE USED WITHOUT WRITTEN PERMISSION				
0 PLACE ± --- ± ---											

ITEM NO	MATERIAL	COLOUR
172672-2004	UL94V-0 NYLON	BLACK
172672-3004	UL94V-2 NYLON IEC 60335-1 GLOW WIRE CAPABLE	BLACK



172672-1004
(NO SCALE)

CIRCUIT 1



NOTES:

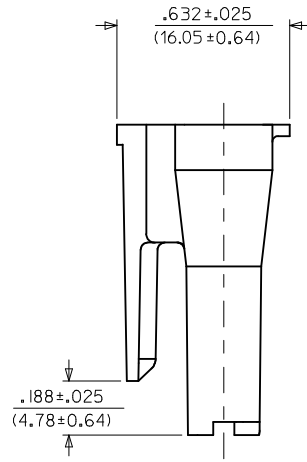
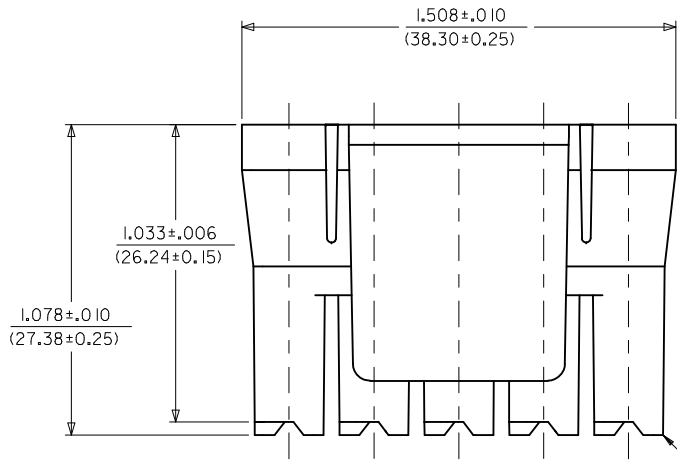
1. MATERIAL: SEE CHART.
2. THIS CONNECTOR HOUSING FOR USE WITH 171825 TERMINALS.
3. THE CONNECTOR HOUSING WILL MATE TO 172042, 172043, & 172673.
4. PRODUCT SPECIFICATION: PS-171825-001.
5. PACKAGING: PK-44441-001.
6. PART CONFORMS TO CLASS 'B' REQUIREMENTS OF COSMETIC SPECIFICATION PS-45499-002 BUT, MEETS CLASS 'C' REQUIREMENTS FOR BUBBLES, SINK AND DISCOLORATION.

SEE SHEET 1 EC NO: UCP2015-0710 DRWN: JDOX 2014/08/18 CHKD: BANDERSON 2014/08/18 APPR: FSMITH 2014/08/25	QUALITY SYMBOLS 	GENERAL TOLERANCES (UNLESS SPECIFIED)		DIMENSION STYLE IN/MM		SCALE 3:1	DESIGN UNITS INCH	THIRD ANGLE PROJECTION
				DRAWN BY JDOX	DATE 2014/07/25	SUPER-SABRE RECEPTACLE HOUSING		
				CHECKED BY BANDERSON	DATE 2014/07/25			
				APPROVED BY FSMITH	DATE 2014/07/31			
		ANGULAR $\pm 1/2^\circ$		MATERIAL NO. SEE CHART	DOCUMENT NO. SD-172672-001			SHEET NO. 4 OF 8
DRAFT WHERE APPLICABLE MUST REMAIN WITHIN DIMENSIONS				THIS DRAWING CONTAINS INFORMATION THAT IS PROPRIETARY TO MOLEX INCORPORATED AND SHOULD NOT BE USED WITHOUT WRITTEN PERMISSION				

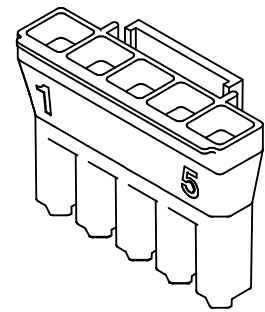
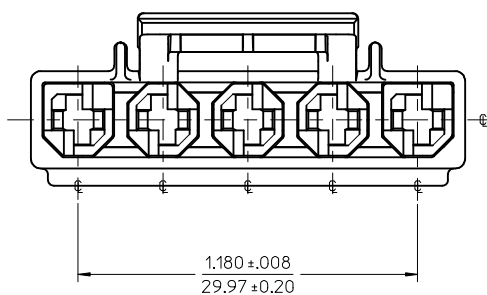
NOTES:

1. MATERIAL: SEE CHART.
2. THIS CONNECTOR HOUSING FOR USE WITH 171825 TERMINALS.
3. THE CONNECTOR HOUSING WILL MATE TO 172042, 172043, & 172673.
4. PRODUCT SPECIFICATION: PS-171825-001.
5. PACKAGING: PK-44441-001.
6. FOR V-0 MATERIAL: PARTS CONFORM TO CLASS 'B' REQUIREMENTS OF COSMETIC SPECIFICATION PS-45499-002 BUT, MEETS CLASS 'C' REQUIREMENTS FOR BUBBLES, SINK AND DISCOLORATION.

ITEM NUMBER	MATERIAL	COLOR
172672-2005	NYLON, UL94V-0,	BLACK
172672-3005	NYLON, UL94V-2 IEC 60335-1 GLOW WIRE CAPABLE	BLACK



CIRCUIT 1



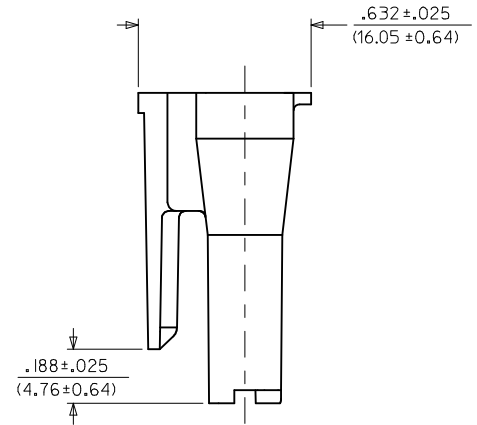
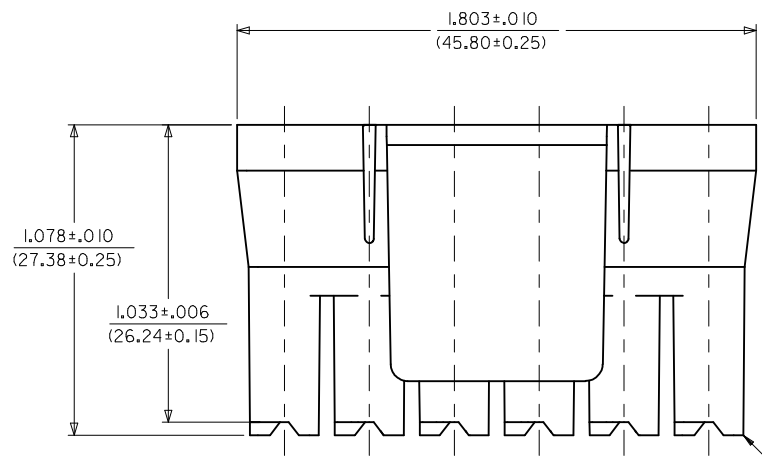
172672-*005
(NO SCALE)

SEE SHEET 1 EC NO: UCP2015-0710 DRWN: JDFOX CHKD: BANDERSON APPR: FSMITH	2014/08/18 2014/08/18 2014/08/25	DESCRIPTION REV	QUALITY SYMBOLS	GENERAL TOLERANCES (UNLESS SPECIFIED)	DIMENSION STYLE	SCALE	DESIGN UNITS	THIRD ANGLE PROJECTION
			▽=0	mm INCH	IN/MM	3:1	INCH	SUPER-SABRE RECEPTACLE HOUSING molex DOCUMENT NO. SD-172672-001 SHEET NO. 5 OF 8
			▽=0	4 PLACES ± --- ± ---	DRAWN BY DATE	MATERIAL NO. SEE CHART SIZE C THIS DRAWING CONTAINS INFORMATION THAT IS PROPRIETARY TO MOLEX INCORPORATED AND SHOULD NOT BE USED WITHOUT WRITTEN PERMISSION		
			▽=0	3 PLACES ± --- ±.010	JDFOX 2014/07/25			
▽=0	2 PLACES ± 0.25 ±.014	CHECKED BY DATE						
			1 PLACE ± 0.35 ± ---	BANDERSON 2014/07/25				
			0 PLACE ± --- ± ---	APPROVED BY DATE				
				FSMITH 2014/07/31				
				ANGULAR ±1/2°				
				DRAFT WHERE APPLICABLE MUST REMAIN WITHIN DIMENSIONS				

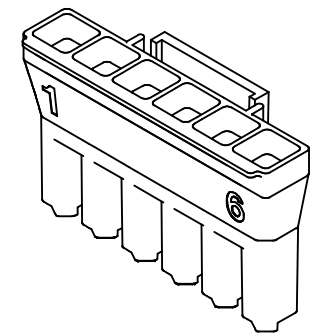
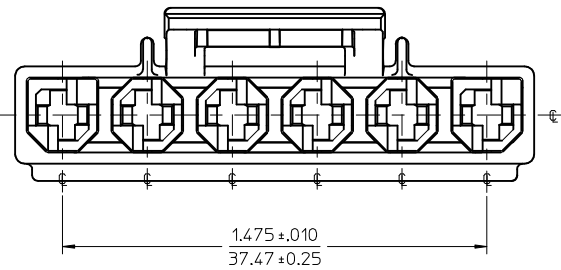
ITEM NO	MATERIAL	COLOUR
172672-2006	UL94V-0 NYLON	BLACK
172672-3006	UL94V-2 NYLON IEC 60335-1 GLOW WIRE CAPABLE	BLACK

NOTES:

1. MATERIAL: SEE CHART.
2. THIS CONNECTOR HOUSING FOR USE WITH 171825 TERMINALS.
3. THE CONNECTOR HOUSING WILL MATE TO 172042, 172043, & 172673.
4. PRODUCT SPECIFICATION: PS-171825-001.
5. PACKAGING: PK-44441-001.
6. PART CONFORMS TO CLASS 'B' REQUIREMENTS OF COSMETIC SPECIFICATION PS-45499-002 BUT, MEETS CLASS 'C' REQUIREMENTS FOR BUBBLES, SINK AND DISCOLORATION.



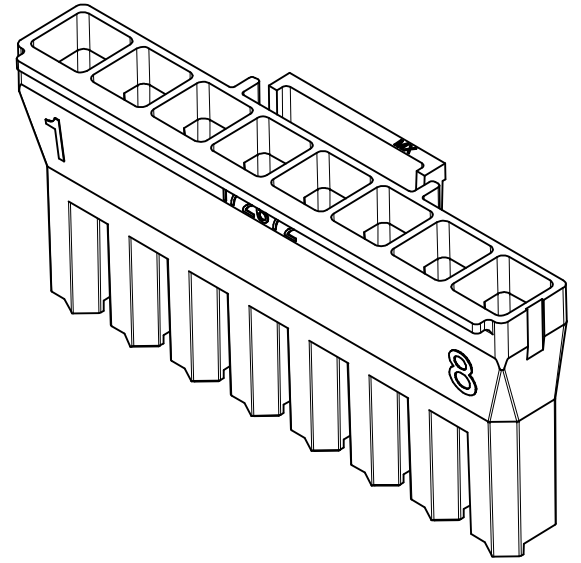
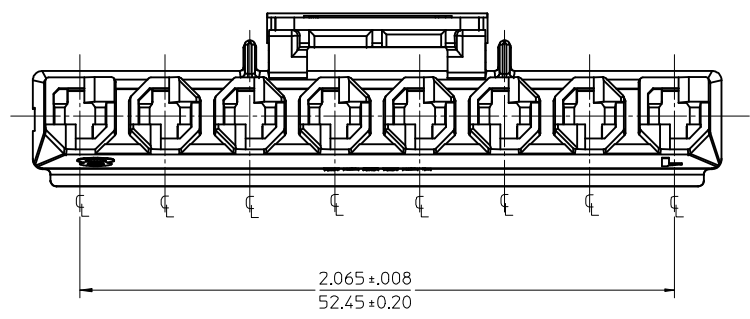
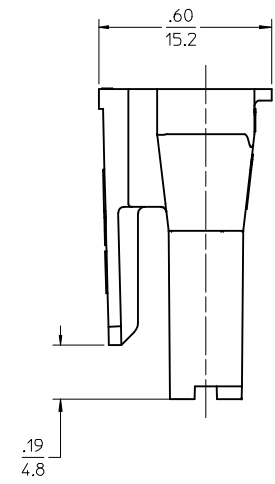
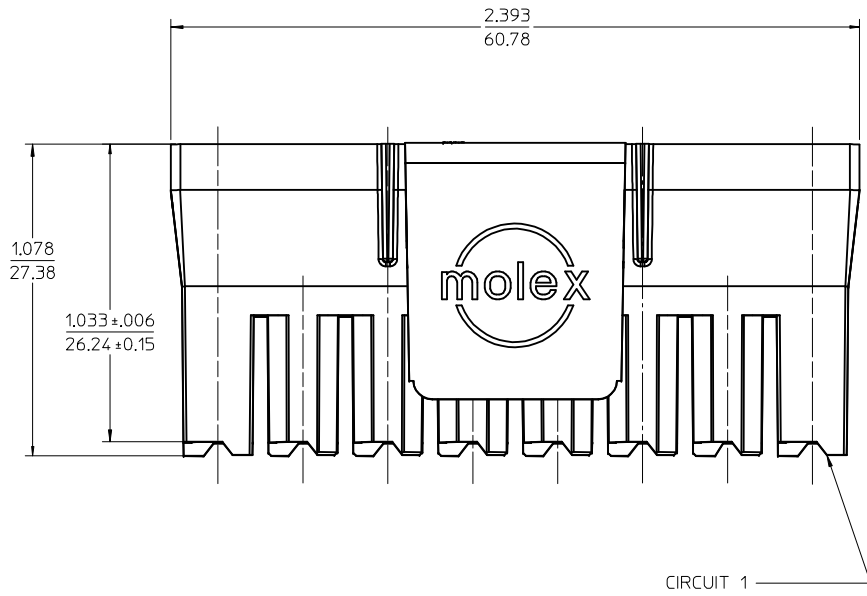
CIRCUIT 1



SEE SHEET 1 EC NO: UCP2015-0710 DRWN: JDOX CHKD: BANDERSON APPR: FSMITH	2014/08/18 2014/08/18 2014/08/25	QUALITY SYMBOLS 	GENERAL TOLERANCES (UNLESS SPECIFIED)		DIMENSION STYLE	SCALE	DESIGN UNITS	THIRD ANGLE PROJECTION
					IN/MM	3:1	INCH	
					DRAWN BY	DATE	TITLE	
					CHECKED BY	DATE		
A1	REV	DESCRIPTION	4 PLACES ± .010	± .010	JDOX	2014/07/25	SUPER-SABRE RECEPTACLE HOUSING 	
			3 PLACES ± .010	± .010	BANDERSON	2014/07/25		
			2 PLACES ± 0.25	± .014	APPROVED BY	DATE		
			1 PLACE ± 0.35	± .014	FSMITH	2014/07/31		
		0 PLACE ± .010	± .010	MATERIAL NO.		DOCUMENT NO.		
		ANGULAR ±1/2°		SEE CHART		SD-172672-001		
		DRAFT WHERE APPLICABLE MUST REMAIN WITHIN DIMENSIONS		SIZE		SHEET NO.		
				C		7 OF 8		
				THIS DRAWING CONTAINS INFORMATION THAT IS PROPRIETARY TO MOLEX INCORPORATED AND SHOULD NOT BE USED WITHOUT WRITTEN PERMISSION				

ITEM NUMBER	MATERIAL	COLOR
172672-2008	UL94V-0 NYLON	BLACK
172672-3008	UL94V-2 NYLON, IEC 60335-1 GLOW WIRE CAPABLE	BLACK

- NOTE:
1. MATERIAL: SEE CHART
 2. FINISH: NONE
 3. PRODUCT SPECIFICATION: PS-171825-001.
 4. PACKAGING: PK-44441-001.
 5. THIS CONNECTOR HOUSING FOR USE WITH 171825 SERIES TERMINALS.
 6. THIS CONNECTOR MATES TO 172042, & 172043.
 7. PART CONFORMS TO CLASS 'B' REQUIREMENTS OF COSMETIC SPECIFICATION PS-45499-002 BUT, MEETS CLASS 'C' REQUIREMENTS FOR BUBBLES, SINK AND DISCOLORATION.



SEE SHEET 1 EC NO: UCP2015-0710 DRWN: JDFOX CHKD: BANDERSON APPR: FSMITH	2014/08/18 2014/08/18 2014/08/25	QUALITY SYMBOLS	GENERAL TOLERANCES (UNLESS SPECIFIED)	DIMENSION STYLE	SCALE	DESIGN UNITS	THIRD ANGLE PROJECTION	
		▽=0	mm INCH	IN/MM	3:1	INCH		
		▽=0	4 PLACES ± --- ± ---	DRAWN BY DATE	TITLE			
		▽=0	3 PLACES ± --- ± .010	JDFOX 2014/07/25	SUPER-SABRE RECEPTACLE HOUSING			
			2 PLACES ± 0.25 ± .014	CHECKED BY DATE	molex			
			1 PLACE ± 0.35 ± ---	BANDERSON 2014/07/25	SD-172672-001			
			0 PLACE ± --- ± ---	APPROVED BY DATE	8 OF 8			
			ANGULAR ±1/2°	FSMITH 2014/07/31	MATERIAL NO. DOCUMENT NO.			
			DRAFT WHERE APPLICABLE MUST REMAIN WITHIN DIMENSIONS	SEE CHART	SIZE THIS DRAWING CONTAINS INFORMATION THAT IS PROPRIETARY TO MOLEX INCORPORATED AND SHOULD NOT BE USED WITHOUT WRITTEN PERMISSION			