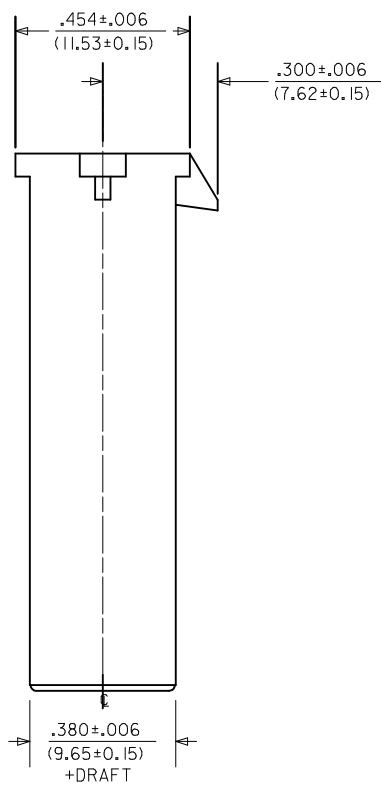
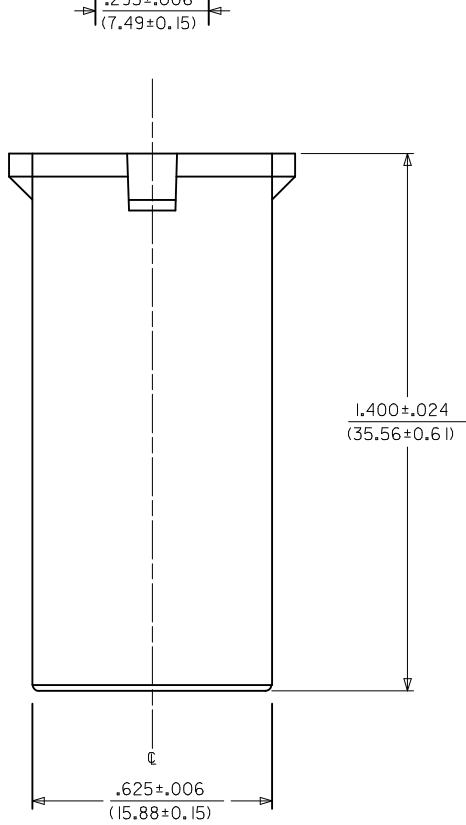
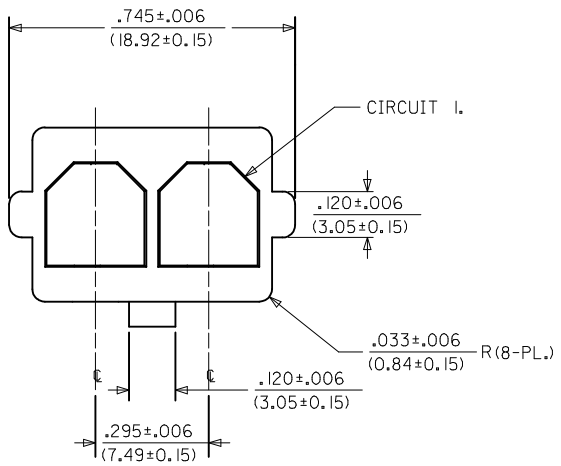


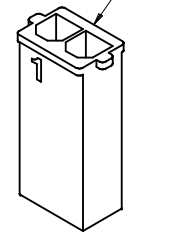
ITEM NUMBER	MATERIAL	COLOR
172673-2002	UL94V-0 NYLON	BLACK
172673-3002	UL94V-2 NYLON, IEC 60335-1, GLOW WIRE CAPABLE	BLACK

NOTES:

1. MATERIAL: SEE CHART.
2. FINISH: NONE.
3. PRODUCT SPECIFICATION: PS-171825-001.
4. PACKAGING: PK-43680-001.
5. THIS CONNECTOR HOUSING FOR USE WITH 171826 TERMINALS.
6. THIS CONNECTOR HOUSING WILL MATE TO 172672 HOUSINGS.
7. PARTS CONFORM TO CLASS B REQUIREMENTS OF COSMETIC SPEC PS-45499-002.

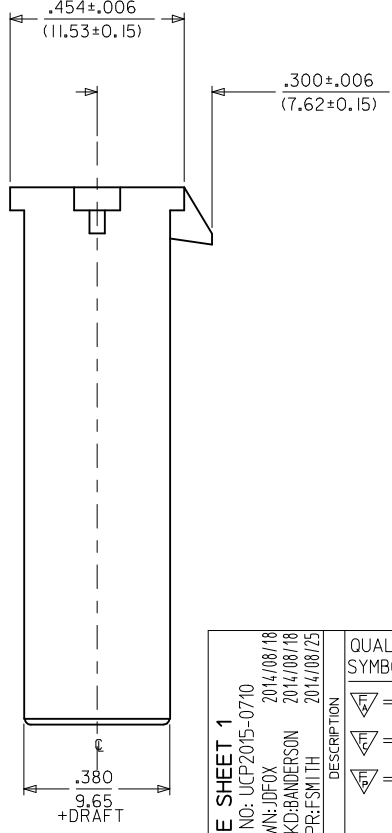
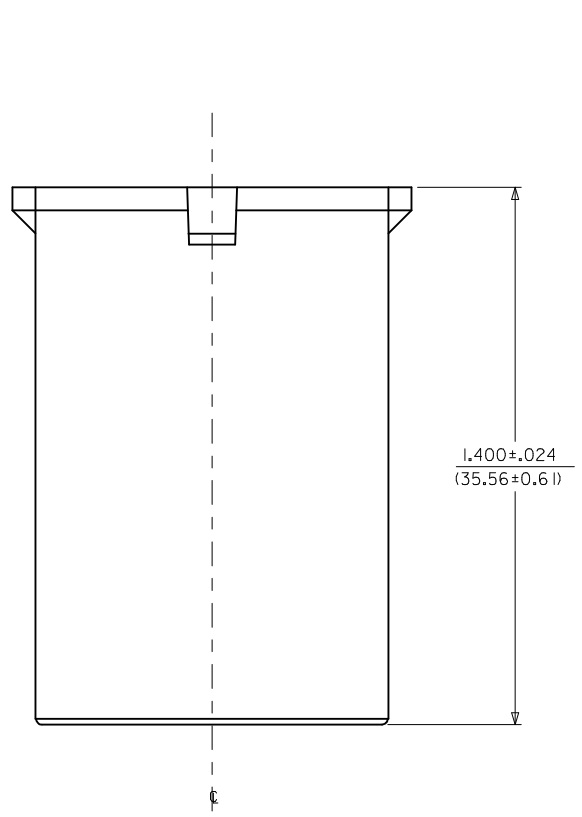
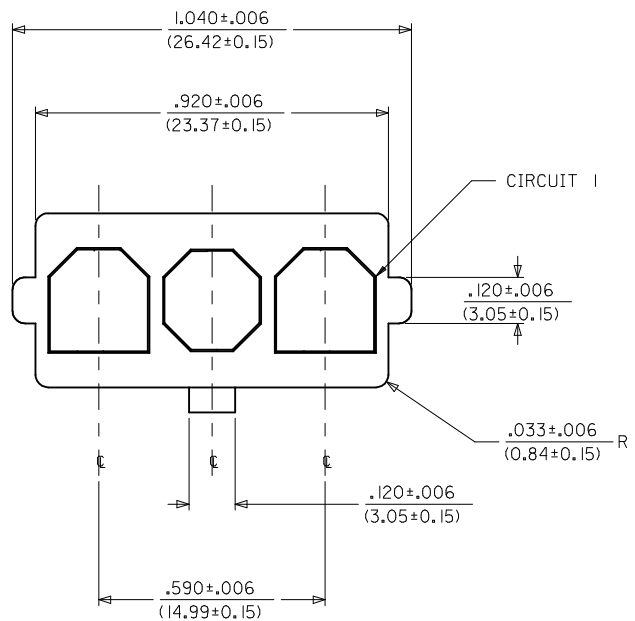


LOCKING NUB IS LOCATED HERE



172673-*002
(NO SCALE)

REMOVE OPTION IEC NO: UCP2015-0710 DRWN: JDFOX CHKD: BANDERSON APPR: FSMITH 2014/08/18 2014/08/18 2014/08/25	QUALITY SYMBOLS	GENERAL TOLERANCES (UNLESS SPECIFIED)	DIMENSION STYLE	SCALE	DESIGN UNITS	THIRD ANGLE PROJECTION
	▽=0	mm INCH	IN/MM	4:1	INCH	
	▽=0	4 PLACES ± --- ± ---	DRAWN BY DATE	TITLE		
	▽=0	3 PLACES ± --- ± .010	JDFOX 2014/07/24	SUPER-SABRE PLUG HOUSING		
		2 PLACES ± 0.25 ± .014	CHECKED BY DATE	DOCUMENT NO.		
		1 PLACE ± 0.35 ± ---	BANDERSON 2014/07/24	SD-172673-001		
		0 PLACE ± --- ± ---	APPROVED BY DATE	SHEET NO.		
		ANGULAR ±1/2°	FSMITH 2014/07/31	1 OF 5		
		DRAFT WHERE APPLICABLE MUST REMAIN WITHIN DIMENSIONS	MATERIAL NO.	THIS DRAWING CONTAINS INFORMATION THAT IS PROPRIETARY TO MOLEX INCORPORATED AND SHOULD NOT BE USED WITHOUT WRITTEN PERMISSION		
A1			SEE CHART			

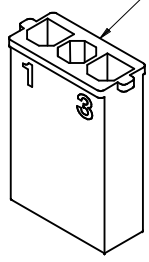


ITEM NUMBER	MATERIAL	COLOR
172673-2003	UL94V-0 NYLON	BLACK
172673-3003	UL94V-2 NYLON, IEC 60335-1, GLOW WIRE CAPABLE	BLACK

NOTES:

1. MATERIAL: SEE CHART.
2. FINISH: NONE.
3. PRODUCT SPECIFICATION: PS-171825-001.
4. PACKAGING: PK-43680-001.
5. THIS CONNECTOR HOUSING FOR USE WITH 171826 TERMINALS.
6. THIS CONNECTOR HOUSING WILL MATE TO 172672 HOUSINGS.
7. PARTS CONFORM TO CLASS B REQUIREMENTS OF COSMETIC SPEC PS-45499-002.

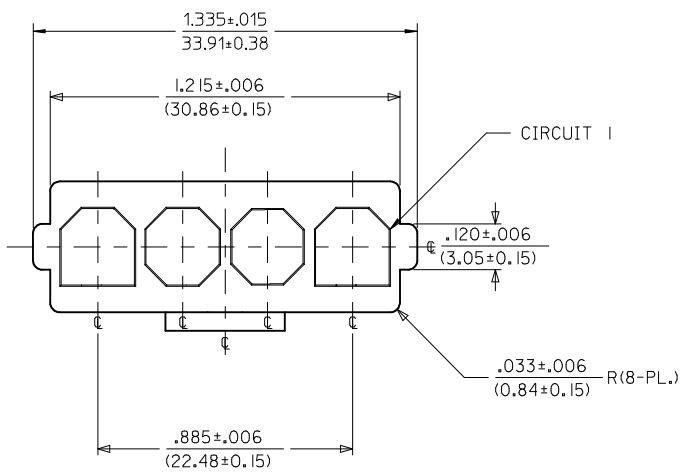
LOCKING NUB IS LOCATED HERE



172673-*003
(NO SCALE)

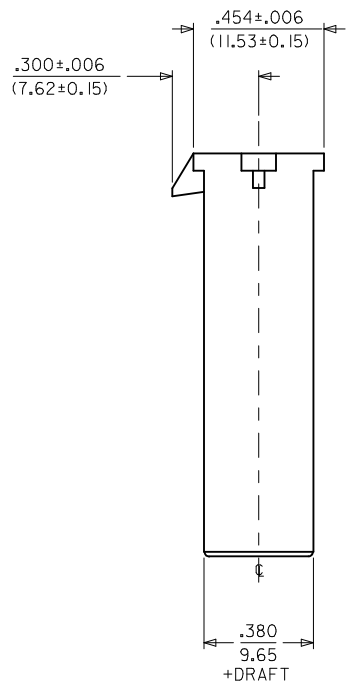
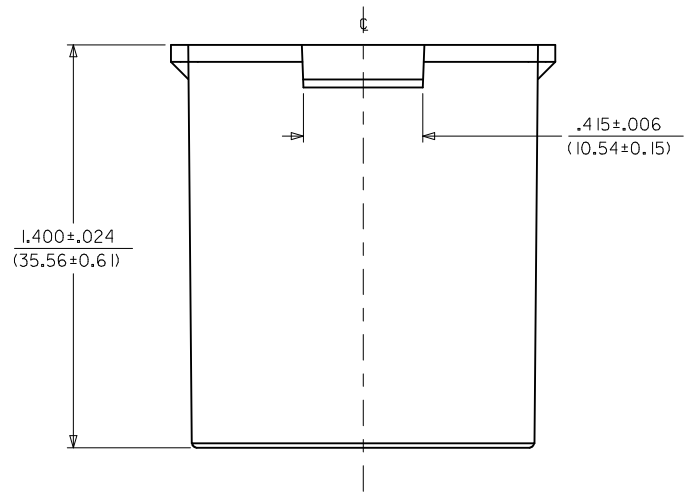
SEE SHEET 1 EC NO: UCP2015-0710 DRWN: JDOX 2014/08/18 CHKD: BANDERSON 2014/08/18 APPR: FSMITH 2014/08/25	QUALITY SYMBOLS	GENERAL TOLERANCES (UNLESS SPECIFIED)	DIMENSION STYLE	SCALE	DESIGN UNITS	THIRD ANGLE PROJECTION
	▽=0	mm INCH	IN/MM	4:1	INCH	
	▽=0	4 PLACES ± --- ± ---	DRAWN BY DATE	TITLE		
	▽=0	3 PLACES ± --- ± .010	JDOX 2014/07/24	SUPER-SABRE PLUG HOUSING		
	2 PLACES ± 0.25 ± .014	CHECKED BY DATE	molex DOCUMENT NO. SD-172673-001 SHEET NO. 2 OF 5			
	1 PLACE ± 0.35 ± ---	BANDERSON 2014/07/24				
	0 PLACE ± --- ± ---	APPROVED BY DATE	THIS DRAWING CONTAINS INFORMATION THAT IS PROPRIETARY TO MOLEX INCORPORATED AND SHOULD NOT BE USED WITHOUT WRITTEN PERMISSION			
		FSMITH 2014/07/31				
			MATERIAL NO. SEE CHART DRAFT WHERE APPLICABLE MUST REMAIN WITHIN DIMENSIONS			

ITEM NUMBER	MATERIAL	COLOR
172673-2004	UL94V-0 NYLON	BLACK
172673-3004	UL94V-2 NYLON IEC 60335-1 GLOW WIRE CAPABLE	BLACK

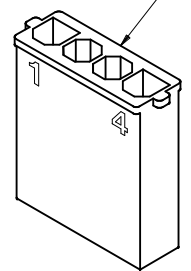


NOTE:

1. MATERIAL: SEE CHART.
2. FINISH: NONE.
3. PRODUCT SPECIFICATION: PS-171825-001.
4. PACKAGING: PK-43680-001.
5. THIS CONNECTOR HOUSING FOR USE WITH 171826 TERMINALS.
6. THIS CONNECTOR HOUSING WILL MATE TO 172672 HOUSINGS.
7. PARTS CONFORM TO CLASS B REQUIREMENTS OF COSMETIC SPEC PS-45499-002.

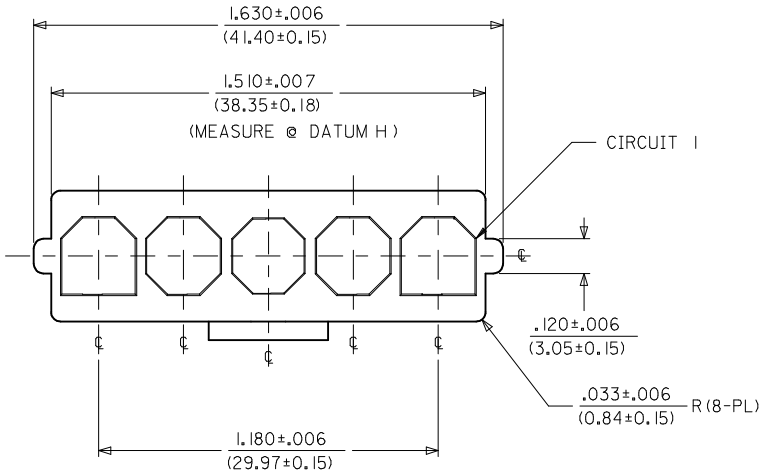


LOCKING NUB IS LOCATED HERE



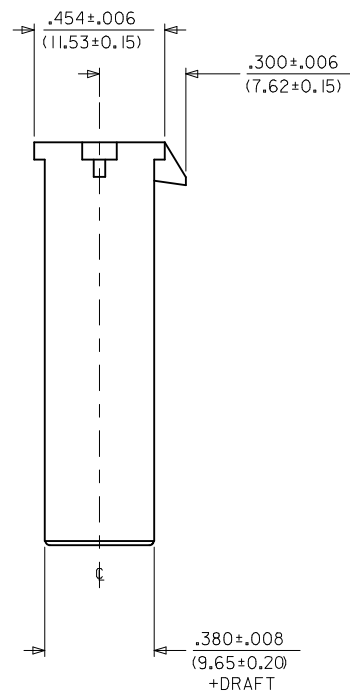
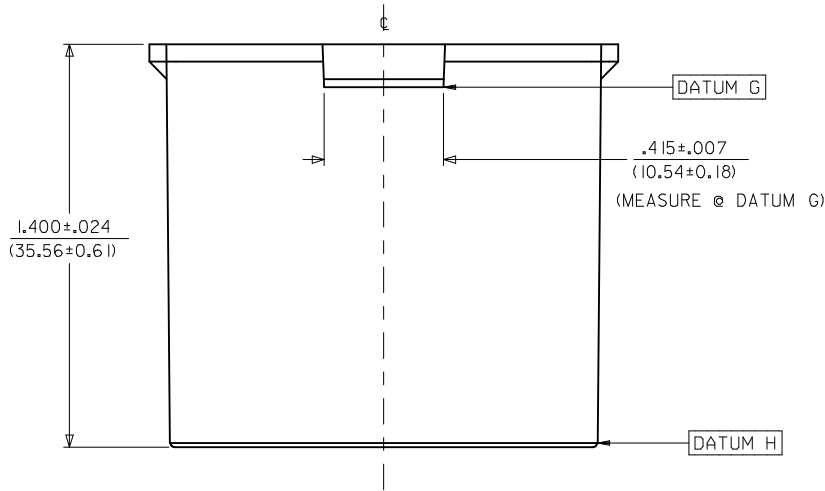
SEE SHEET 1 EC NO: UCP2015-0710 2014/08/18 DRWN:JDFOX CHKD:ANDERSON 2014/08/18 APPR:FSMITH 2014/08/25	QUALITY SYMBOLS ▽=0 ▽=0 ▽=0	GENERAL TOLERANCES (UNLESS SPECIFIED)		DIMENSION STYLE IN/MM		SCALE 3:1	DESIGN UNITS INCH	THIRD ANGLE PROJECTION		
		4 PLACES ± --- ± ---	3 PLACES ± --- ± .010	2 PLACES ± 0.25 ± .014	1 PLACE ± 0.35 ± ---	0 PLACE ± --- ± ---	DRAWN BY JDFOX		DATE 2014/07/24	
		DRAFT WHERE APPLICABLE MUST REMAIN WITHIN DIMENSIONS		ANGULAR ±1/2°		MATERIAL NO. SEE CHART		DOCUMENT NO. SD-172673-001		SHEET NO. 3 OF 5
		SIZE C		THIS DRAWING CONTAINS INFORMATION THAT IS PROPRIETARY TO MOLEX INCORPORATED AND SHOULD NOT BE USED WITHOUT WRITTEN PERMISSION						

ITEM NUMBER	MATERIAL	COLOR
172673-2005	NYLON, UL94V-0	BLACK
172673-3005	NYLON, UL94V-2, IEC 60335-1 GLOW-WIRE CAPABLE	BLACK

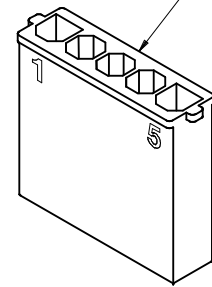


NOTE:

1. MATERIAL: SEE CHART.
2. FINISH: NONE.
3. PRODUCT SPECIFICATION: PS-171825-001.
4. PACKAGING: PK-43680-001.
5. THIS CONNECTOR HOUSING FOR USE WITH 171826 TERMINALS.
6. THIS CONNECTOR HOUSING WILL MATE TO 172672 HOUSINGS.
7. PARTS CONFORM TO CLASS B REQUIREMENTS OF COSMETIC SPEC PS-45499-002.



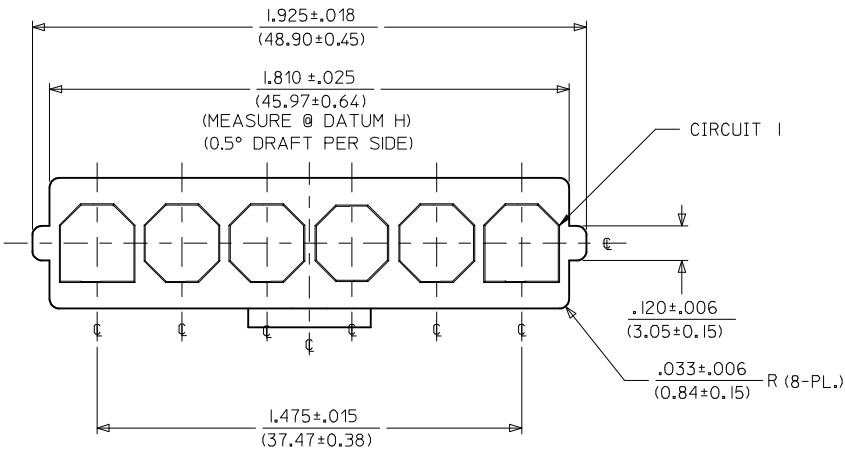
LOCKING NUB IS LOCATED HERE



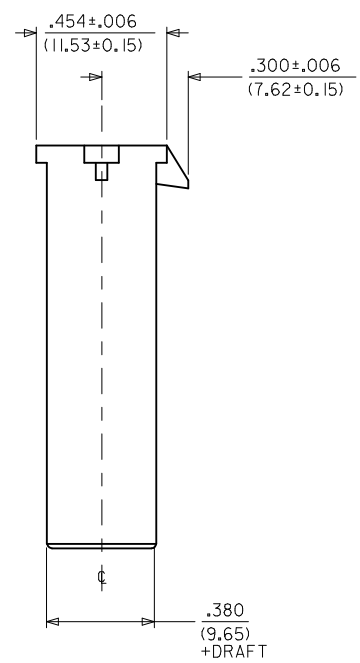
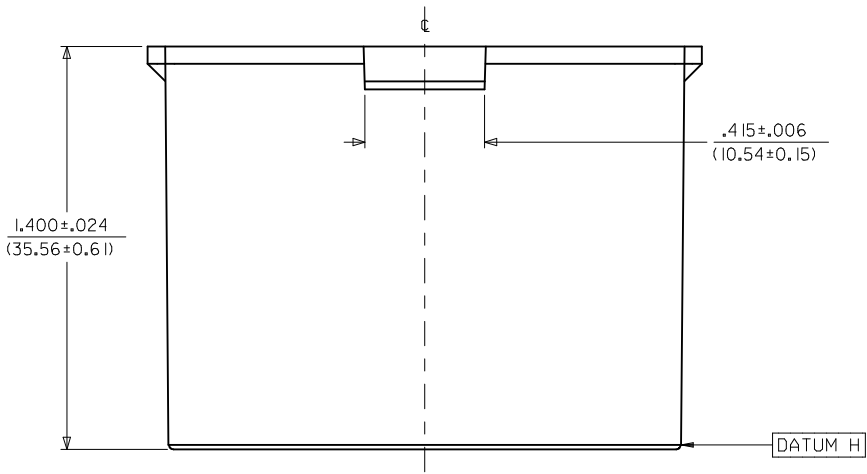
172673-*005
(NO SCALE)

SEE SHEET 1 EC NO: UCP2015-0710 DRWN: JDOX 2014/08/18 CHKD: BANDERSON 2014/08/18 APPR: FSMITH 2014/08/25	QUALITY SYMBOLS ∇=0 ∇=0 ∇=0	GENERAL TOLERANCES (UNLESS SPECIFIED)		DIMENSION STYLE IN/MM		SCALE 3:1	DESIGN UNITS INCH	THIRD ANGLE PROJECTION	
		4 PLACES ± --- ± ---	3 PLACES ± --- ± .010	2 PLACES ± 0.25 ± .014	1 PLACE ± 0.35 ± ---	0 PLACE ± --- ± ---	DRAWN BY JDOX	DATE 2014/07/24	TITLE SUPER-SABRE PLUG HOUSING
		ANGULAR ±1/2°					CHECKED BY BANDERSON	DATE 2014/07/24	
		DRAFT WHERE APPLICABLE MUST REMAIN WITHIN DIMENSIONS					APPROVED BY FSMITH	DATE 2014/07/31	MATERIAL NO. SEE CHART
					SIZE C	THIS DRAWING CONTAINS INFORMATION THAT IS PROPRIETARY TO MOLEX INCORPORATED AND SHOULD NOT BE USED WITHOUT WRITTEN PERMISSION			

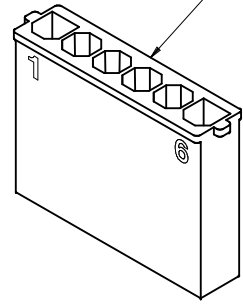
ITEM NUMBER	MATERIAL	COLOR
172673-2006	UL94V-0 NYLON	BLACK
172673-3006	UL94V-2 NYLON, IEC 60335-1 GLOW WIRE CAPABLE	BLACK



- NOTE:
1. MATERIAL: SEE CHART.
 2. FINISH: NONE.
 3. PRODUCT SPECIFICATION: PS-171825-001.
 4. PACKAGING: PK-43680-001.
 5. THIS CONNECTOR HOUSING FOR USE WITH 171826 TERMINALS.
 6. THIS CONNECTOR HOUSING WILL MATE TO 172672 HOUSINGS.
 7. PARTS CONFORM TO CLASS B REQUIREMENTS OF COSMETIC SPEC PS-45499-002.



LOCKING NUB IS LOCATED HERE



172673-x006
(NO SCALE)

REV	DESCRIPTION	QUALITY SYMBOLS	GENERAL TOLERANCES (UNLESS SPECIFIED)		DIMENSION STYLE	SCALE	DESIGN UNITS	THIRD ANGLE PROJECTION		
			mm	INCH	IN/MM	3:1	INCH			
A1	SEE SHEET 1 EC NO: UCP2015-0710 DRWN: JDFOX CHKD: BANDERSON APPR: FSMITH	$\nabla = 0$ $\nabla = 0$ $\nabla = 0$	4 PLACES ± --- ± --- 3 PLACES ± --- ± .010 2 PLACES ± 0.25 ± .014 1 PLACE ± 0.35 ± --- 0 PLACE ± --- ± ---	ANGULAR ±1/2° DRAFT WHERE APPLICABLE MUST REMAIN WITHIN DIMENSIONS	DRAWN BY: JDFOX CHECKED BY: BANDERSON APPROVED BY: FSMITH DATE: 2014/07/24 DATE: 2014/07/24 DATE: 2014/07/31	TITLE	SUPER-SABRE PLUG HOUSING molex	MATERIAL NO. SEE CHART	DOCUMENT NO. SD-172673-001	SHEET NO. 5 OF 5