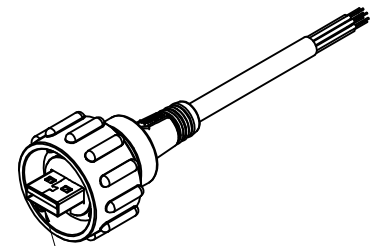
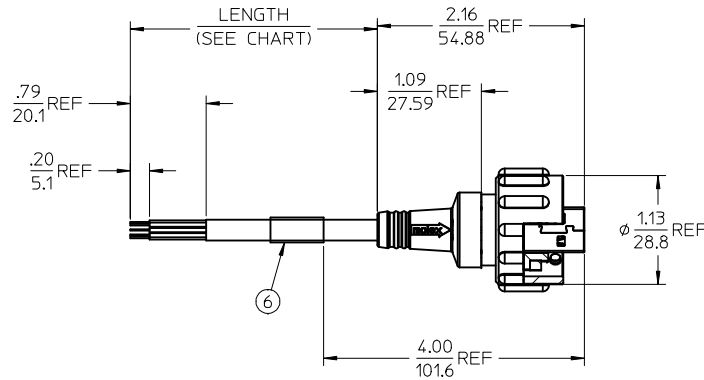


PART NO.	LENGTH
847341002	1.50M +31.75/-0 (4' 11.06") +1.25"/-0"
847341001	2.00M +44.45/-0 (6' 6.75") +1.75"/-0"
847341003	3.00M +63.50/-0 (9' 10.12") +2.50"/-0"
847341004	5.00M +101.60/-0 (16' 4.85") +4.00"/-0"
847341005	0.15M +25.40/-0 (0' 5.91") +1.00"/-0"
847341905	0.27M +19mm-0 (0' 10.63") +.75"-0"



BAYONET STYLE
LOCKING INTERFACE



NOTES:

1. CABLES:

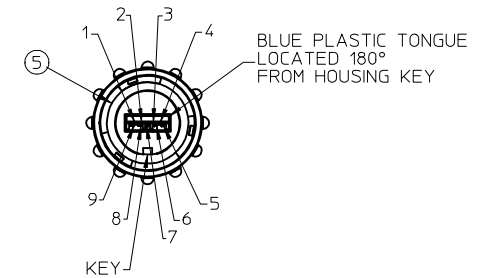
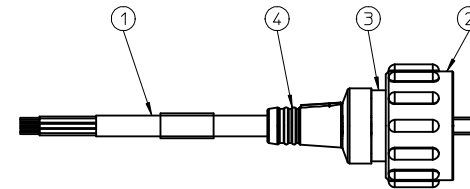
A) CABLE FOR ASSEMBLIES LESS THAN 3M (3000mm) LG;
OUTER JACKET: PVC, Ø5.50±0.3, BLACK
(2) 28AWG SHIELDED TWISTED PAIRS WITH ALUMINUM/MYLAR SHIELD,
WITH STRANDED TINNED COPPER DRAIN WIRE.
(1) 28AWG SHIELDED TWISTED PAIR WITH ALUMINUM SHIELD,
(2) 28AWG INSULATED CONDUCTORS, STRANDED, TINNED COPPER
CABLE SHIELD: BRAIDED TINNED COPPER WIRE
CABLE: UL2725 FILE: E164571

B) CABLE FOR ASSEMBLIES 3M (3000mm) LG OR LONGER;
OUTER JACKET: PVC, Ø6.50±0.3, BLACK
(2) 26AWG SHIELDED TWISTED PAIRS WITH ALUMINUM/MYLAR SHIELD,
WITH STRANDED TINNED COPPER DRAIN WIRE.
(1) 28AWG SHIELDED TWISTED PAIR WITH ALUMINUM SHIELD,
(1) 22AWG CONDUCTORS STRANDED TINNED COPPER
CABLE SHIELD: BRAIDED TINNED COPPER WIRE
CABLE: UL2725 FILE: E164571

2. ASSEMBLY TESTED FOR CONTINUITY
3. IP67 WHEN MATED
4. PACKAGED IN A SEALED POLY BAG.
5. ELECTRICAL SPECS:

VOLTAGE: 30V
CURRENT: 1.0 AMP

6. MATES WITH MOLEX USB3.0 RECEPTACLE SERIES 84733
7. ASSEMBLY IS RoHS COMPLIANT.



BLUE PLASTIC TONGUE
LOCATED 180°
FROM HOUSING KEY

PIN OUT

P1	DESCRIPTION	WIRE COLOR	FUNCTION
1	RED	WHITE	VBUS
2	GREEN	BLACK	D-
3	YELLOW	BLACK	D+
4	ORANGE	BLACK	GND
5	PURPLE	BLUE	StdA_SSRX-
6	PINK	YELLOW	StdA_SSRX+
7	BROWN	BLACK	DRAIN WIRE
8	BLACK	PURPLE	Std_SSTX-
9	WHITE	ORANGE	Std_SSTX+
			SHELL BRAID

H.S. TUBING

ITEM	QTY.	DESCRIPTION	MATERIAL	FINISH
6	1	WRAP LABEL	PLASTIC FILM	YELLOW
5	1	GASKET SEAL	NITRILE	BLACK
4	1	OVERMOLD	PVC	BLACK
3	1	HOLDER	POLYESTER	BLACK
2	1	COUPLING RING	POLYESTER	BLACK
1	1	USB TYPE-A PLUG SHIELDED PIGTAIL	BRASS/PLASTIC	N/A

REV'D TO F. A. I. R. EC NO: IPG2015-0565 DRAWING: GUSTAFSON 2014/09/25 CHKD: CHAPMAN APPR: BWOODMAN 2014/10/06	QUALITY SYMBOLS ▽=0 ▽=0	GENERAL TOLERANCES (UNLESS SPECIFIED) <table border="1"> <thead> <tr> <th></th> <th>mm</th> <th>INCH</th> </tr> </thead> <tbody> <tr> <td>4 PLACES</td> <td>± .005</td> <td>± .0005</td> </tr> <tr> <td>3 PLACES</td> <td>± .005</td> <td>± .0005</td> </tr> <tr> <td>2 PLACES</td> <td>± 0.13</td> <td>± .010</td> </tr> <tr> <td>1 PLACE</td> <td>± 0.3</td> <td>± .010</td> </tr> <tr> <td>0 PLACE</td> <td>± .005</td> <td>± .0005</td> </tr> </tbody> </table>		mm	INCH	4 PLACES	± .005	± .0005	3 PLACES	± .005	± .0005	2 PLACES	± 0.13	± .010	1 PLACE	± 0.3	± .010	0 PLACE	± .005	± .0005	DIMENSION STYLE IN/MM	SCALE 1:1	DESIGN UNITS INCH	THIRD ANGLE PROJECTION
				mm	INCH																			
4 PLACES	± .005	± .0005																						
3 PLACES	± .005	± .0005																						
2 PLACES	± 0.13	± .010																						
1 PLACE	± 0.3	± .010																						
0 PLACE	± .005	± .0005																						
DRAWN BY BRUPERT	DATE 2014/03/17	TITLE USB3.0 PLUG CABLE ASSY																						
APPROVED BY BWOODMAN	DATE 2014/03/25	molex																						
MATERIAL NO. SEE CHART		DOCUMENT NO. SD-84734-001	SHEET NO. 1 OF 1																					
DRAFT WHERE APPLICABLE MUST REMAIN WITHIN DIMENSIONS					THIS DRAWING CONTAINS INFORMATION THAT IS PROPRIETARY TO MOLEX INCORPORATED AND SHOULD NOT BE USED WITHOUT WRITTEN PERMISSION																			