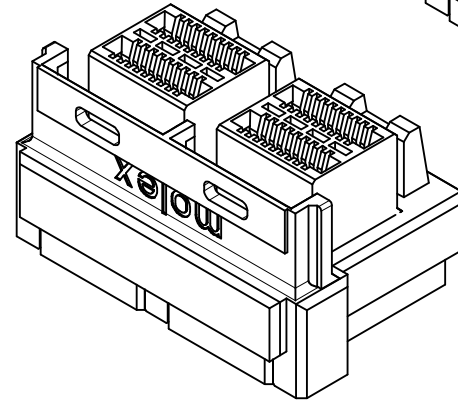
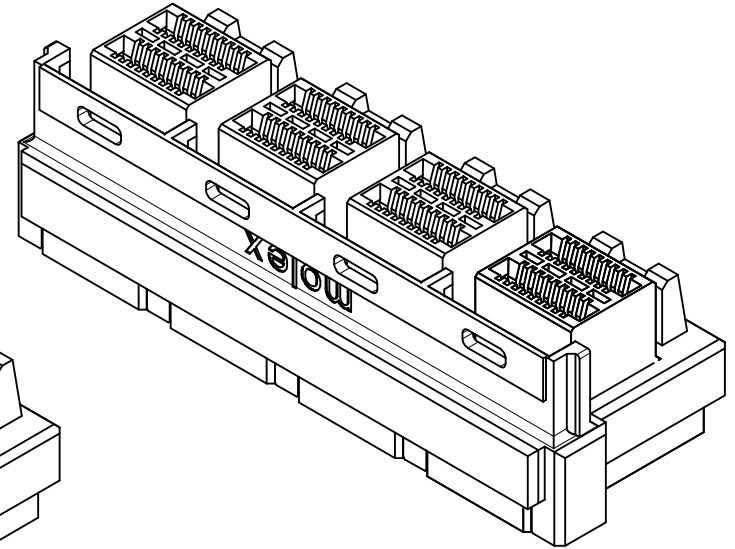


1 X 1



1 X 2



1 X 4

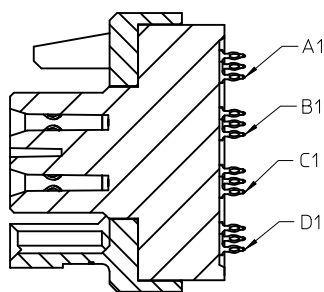
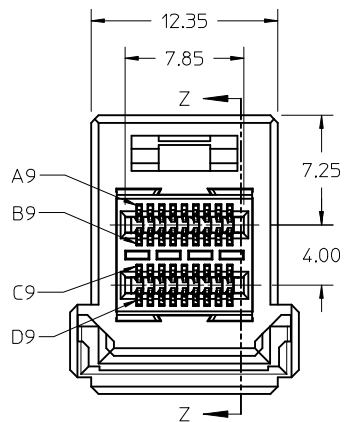
NOTES:

1. MATERIALS:
CONNECTOR HOUSING: HIGH TEMPERATURE THERMOPLASTIC
GLASS FILLED, UL 94V-0
TERMINALS: COPPER ALLOY
2. FINISHES:
CONTACT AREA: 0.76 μM MIN GOLD OVER 3.81 μM MIN NICKEL
COMPLIANT AREA: 0.76 μM MIN TIN (LEAD FREE)
OVER 1.27 μM MIN NICKEL
3. PRODUCT SPECIFICATION: PS-170729-001
4. PACKAGING SPECIFICATION: PK-76867-002
5. MATES WITH: MOLEX CABLE SERIES 111074 & 111076
6. MOUNTING HARDWARE: M2X1.35 SELF-THREADING SCREW
MOUNTING SCREW LENGTH: PCB THICKNESS + 3.0MM MAX (1.75MM MIN)
MOUNTING HARDWARE NOT INCLUDED
7. PLUG MODULE PCB LAYOUT REFER TO SD-76866-9900

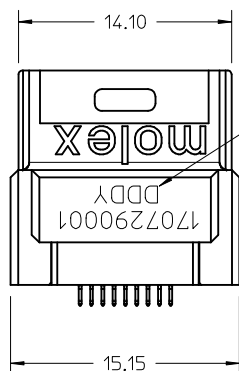
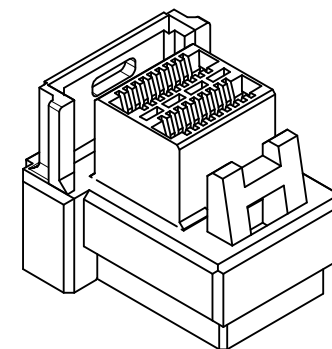
CONFIGURATION	MATERIAL NUMBER	TERMINAL OPTION	DIM 'A'
1 X 1	170729-0001	SHORT PIN	1.37
1 X 2	170729-0002		
1 X 4	170729-0004		
1 X 1	170729-1001	LONG PIN	1.62
1 X 2	170729-1002		
1 X 4	170729-1004		

ADD LONG PIN P/NS EC NO: UCP2015-0282 DRW:KINGHAM 2014/07/22 CHKD:TMCCLELLAND 2014/09/11 APPR:TMCCLELL 2014/09/11	QUALITY SYMBOLS	GENERAL TOLERANCES (UNLESS SPECIFIED)	DIMENSION STYLE MM ONLY	SCALE 4:1	DESIGN UNITS METRIC	THIRD ANGLE PROJECTION
	▽=0	mm INCH	DRAWN BY DATE KLANG 2011/11/01	TITLE IPASS VERTICAL ZHD INTERNAL ASSEMBLY 1X1, 1X2, 1X4		
	▽=0	4 PLACES ± --- ± ---	CHECKED BY DATE TMCCLELLAND 2012/07/24	molex DOCUMENT NO. SD-170729-0001 SHEET NO. 1 OF 8		
	▽=0	3 PLACES ± --- ± ---	APPROVED BY DATE MBANAK IS 2012/07/25			
13	DESCRIPTION	ANGULAR ± 2 °	MATERIAL NO.	SIZE C THIS DRAWING CONTAINS INFORMATION THAT IS PROPRIETARY TO MOLEX INCORPORATED AND SHOULD NOT BE USED WITHOUT WRITTEN PERMISSION		
		DRAFT WHERE APPLICABLE MUST REMAIN WITHIN DIMENSIONS				

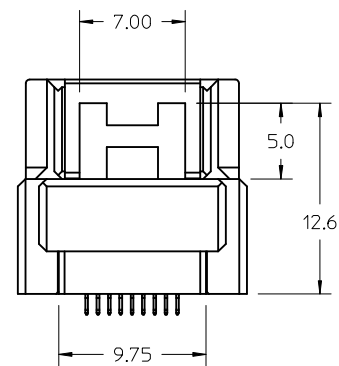
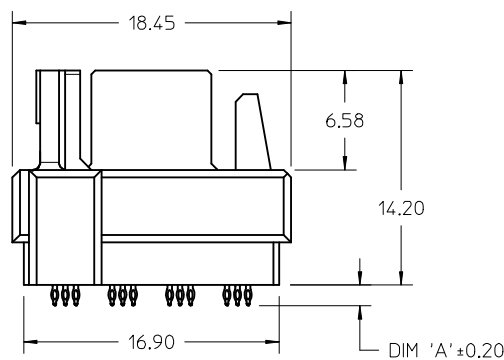
1X1 ASSEMBLY



SECTION Z-Z



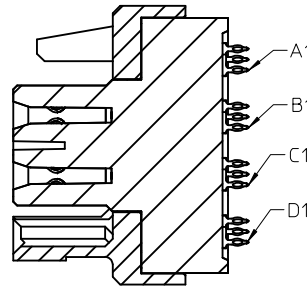
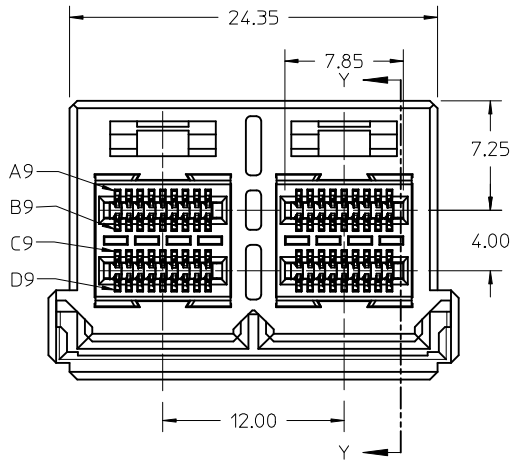
SEE NOTE 1



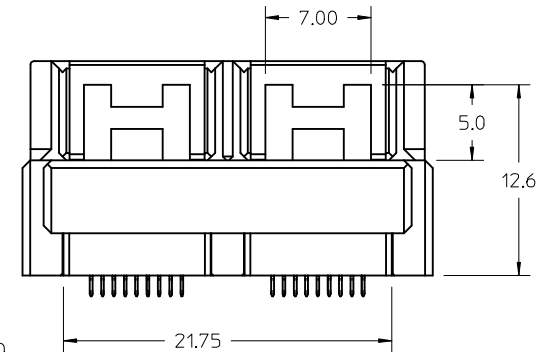
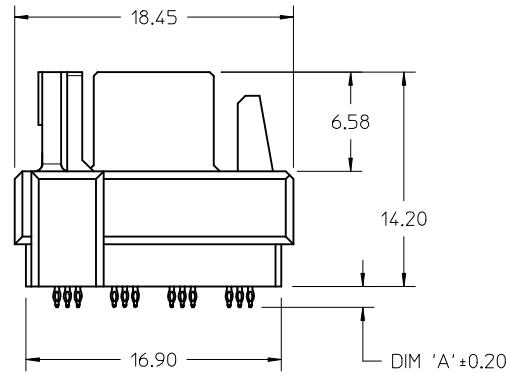
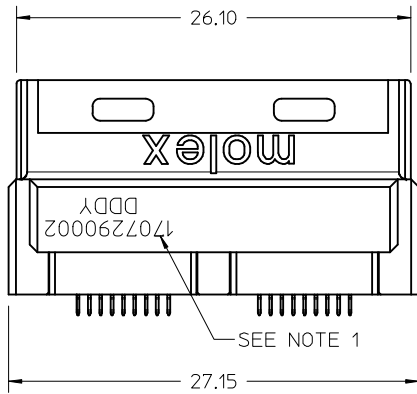
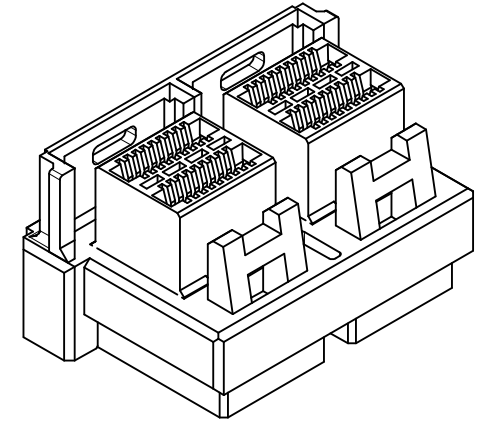
NOTES:
1. MANUFACTURED DATE CODE (JULIAN CALENDAR) & PART NUMBER.

SEE SHEET 1 EC NO: UCP2015-0282 DRW:K8 INGHAM 2014/07/22 CHKD: TMCCLELLAND 2014/09/11 APPR: TMCCLELL 2014/09/11	QUALITY SYMBOLS	GENERAL TOLERANCES (UNLESS SPECIFIED)		DIMENSION STYLE MM ONLY		SCALE 4:1	DESIGN UNITS METRIC	THIRD ANGLE PROJECTION	
	▽=0	mm	INCH	DRAWN BY	DATE	TITLE IPASS VERTICAL ZHD INTERNAL ASSEMBLY 1X1, 1X2, 1X4 molex DOCUMENT NO. SD-170729-0001			
	▽=0	4 PLACES ± ---	± ---	KLANG	2011/11/01				
	▽=0	3 PLACES ± ---	± ---	CHECKED BY	DATE				
▽=0	2 PLACES ± 0.13	± ---	TMCCLELLAND	2012/07/24					
REV	DESCRIPTION	1 PLACE ± 0.25	± ---	APPROVED BY	DATE	SHEET NO. 2 OF 8			
13		0 PLACE ±	±	MBANAKIS	2012/07/25				
		ANGULAR ± 2 °		MATERIAL NO.		THIS DRAWING CONTAINS INFORMATION THAT IS PROPRIETARY TO MOLEX INCORPORATED AND SHOULD NOT BE USED WITHOUT WRITTEN PERMISSION			
		DRAFT WHERE APPLICABLE MUST REMAIN WITHIN DIMENSIONS		SEE CHART					

1X2 ASSEMBLY



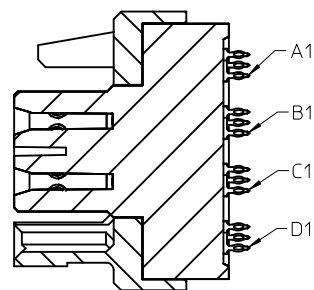
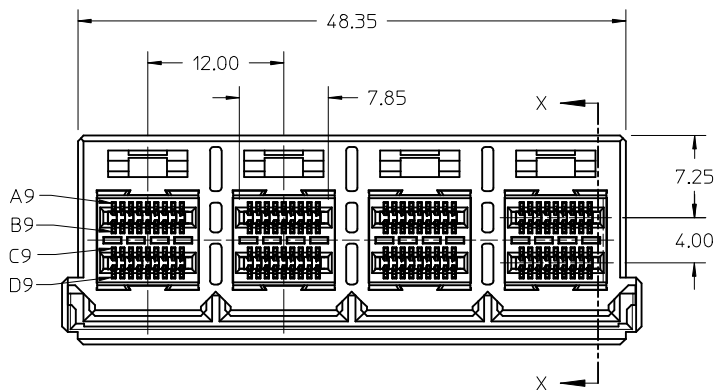
SECTION Y-Y



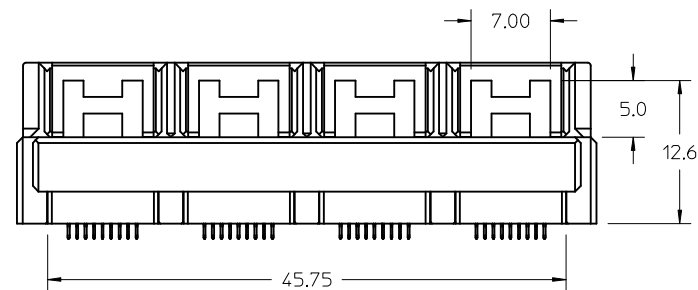
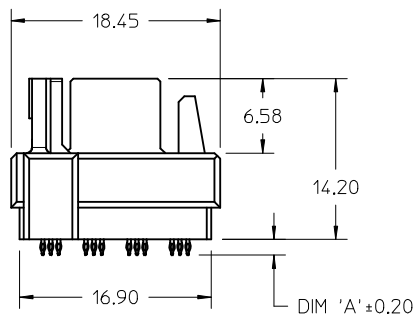
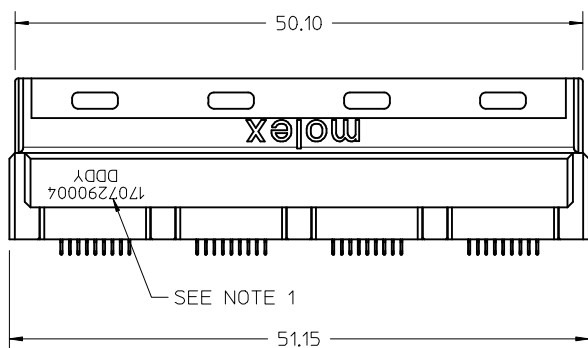
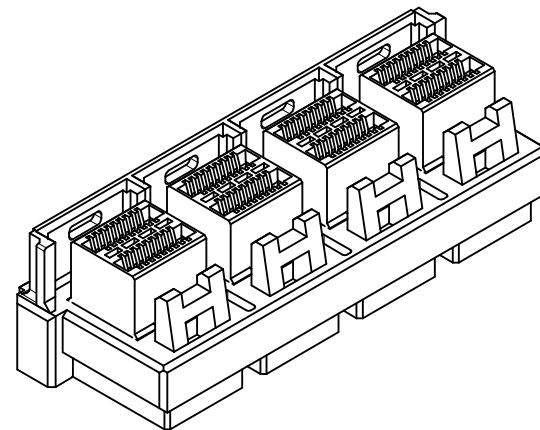
NOTES:
1. MANUFACTURED DATE CODE (JULIAN CALENDAR) & PART NUMBER.

SEE SHEET 1 EC NO: UCP2015-0282 DRINKINGHAM 2014/07/22 CHKD:TMCCLELLAND 2014/09/11 APPR:TMCCLELL 2014/09/11	QUALITY SYMBOLS ▽=0 ▽=0 ▽=0	GENERAL TOLERANCES (UNLESS SPECIFIED) <table border="1"> <thead> <tr> <th></th> <th>mm</th> <th>INCH</th> </tr> </thead> <tbody> <tr> <td>4 PLACES</td> <td>± .---</td> <td>± .---</td> </tr> <tr> <td>3 PLACES</td> <td>± .---</td> <td>± .---</td> </tr> <tr> <td>2 PLACES</td> <td>± 0.13</td> <td>± .---</td> </tr> <tr> <td>1 PLACE</td> <td>± 0.25</td> <td>± .---</td> </tr> <tr> <td>0 PLACE</td> <td>±</td> <td>±</td> </tr> </tbody> </table>		mm	INCH	4 PLACES	± .---	± .---	3 PLACES	± .---	± .---	2 PLACES	± 0.13	± .---	1 PLACE	± 0.25	± .---	0 PLACE	±	±	DIMENSION STYLE MM ONLY DRAWN BY DATE KLANG 2011/11/01 CHECKED BY DATE TMCCLELLAND 2012/07/24 APPROVED BY DATE MBANAKIS 2012/07/25	SCALE 4:1 DESIGN UNITS METRIC	THIRD ANGLE PROJECTION
		mm	INCH																				
	4 PLACES	± .---	± .---																				
	3 PLACES	± .---	± .---																				
2 PLACES	± 0.13	± .---																					
1 PLACE	± 0.25	± .---																					
0 PLACE	±	±																					
SEE CHART SD-170729-0001	MATERIAL NO. SEE CHART	DOCUMENT NO. SD-170729-0001	SHEET NO. 3 OF 8																				
DRAFT WHERE APPLICABLE MUST REMAIN WITHIN DIMENSIONS	ANGULAR ± 2°	THIS DRAWING CONTAINS INFORMATION THAT IS PROPRIETARY TO MOLEX INCORPORATED AND SHOULD NOT BE USED WITHOUT WRITTEN PERMISSION	SIZE C																				

1X4 ASSEMBLY

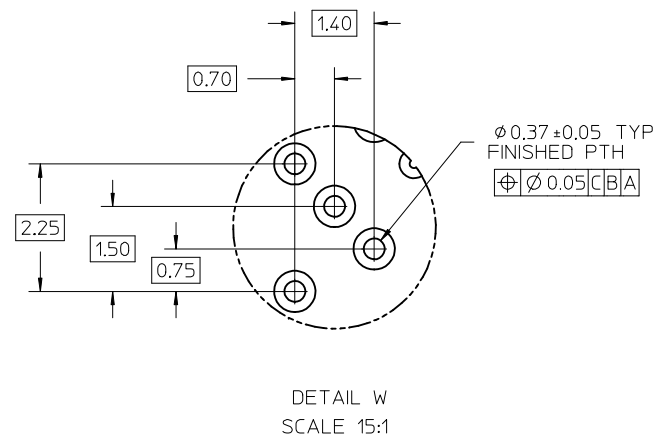
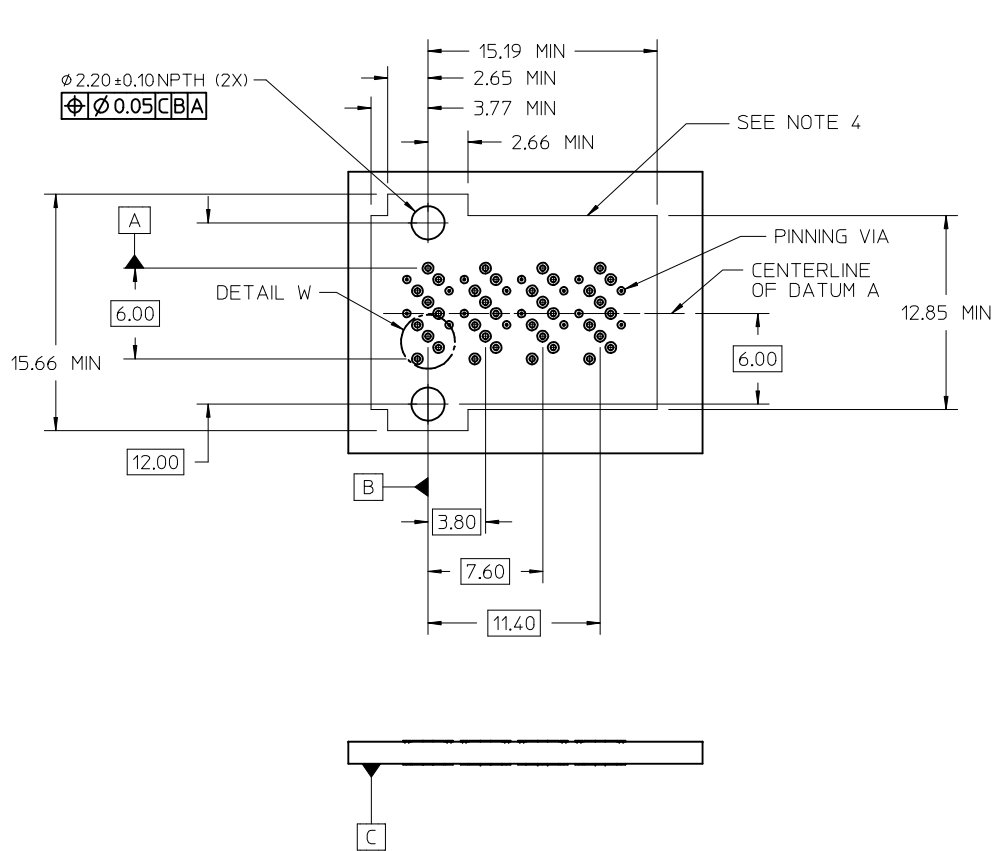


SECTION X-X
SCALE 4:1



NOTES:
1. MANUFACTURED DATE CODE (JULIAN CALENDAR) & PART NUMBER.

SEE SHEET 1 EC NO: UCP2015-0282 DRINKINGHAM 2014/07/22 CHKD:TMCCLELLAND 2014/09/11 APPR:TMCCLELL 2014/09/11	DESCRIPTION QUALITY SYMBOLS ▽=0 ▽=0 ▽=0	GENERAL TOLERANCES (UNLESS SPECIFIED)		DIMENSION STYLE MM ONLY	SCALE 3:1	DESIGN UNITS METRIC	THIRD ANGLE PROJECTION		
				DRAWN BY KLANG	DATE 2011/11/01	TITLE IPASS VERTICAL ZHD INTERNAL ASSEMBLY 1X1, 1X2, 1X4			
				2 PLACES ±0.13	±	CHECKED BY TMCCLELLAND	DATE 2012/07/24	molex DOCUMENT NO. SD-170729-0001	
				1 PLACE ±0.25	±	APPROVED BY MBANAKIS	DATE 2012/07/25		
		0 PLACE ±	±	MATERIAL NO. SEE CHART					
		ANGULAR ± 2 °		DRAFT WHERE APPLICABLE MUST REMAIN WITHIN DIMENSIONS					
		SIZE C		THIS DRAWING CONTAINS INFORMATION THAT IS PROPRIETARY TO MOLEX. INCORPORATED AND SHOULD NOT BE USED WITHOUT WRITTEN PERMISSION					

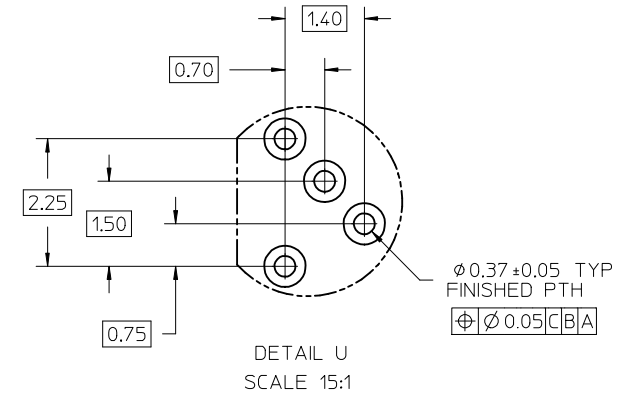
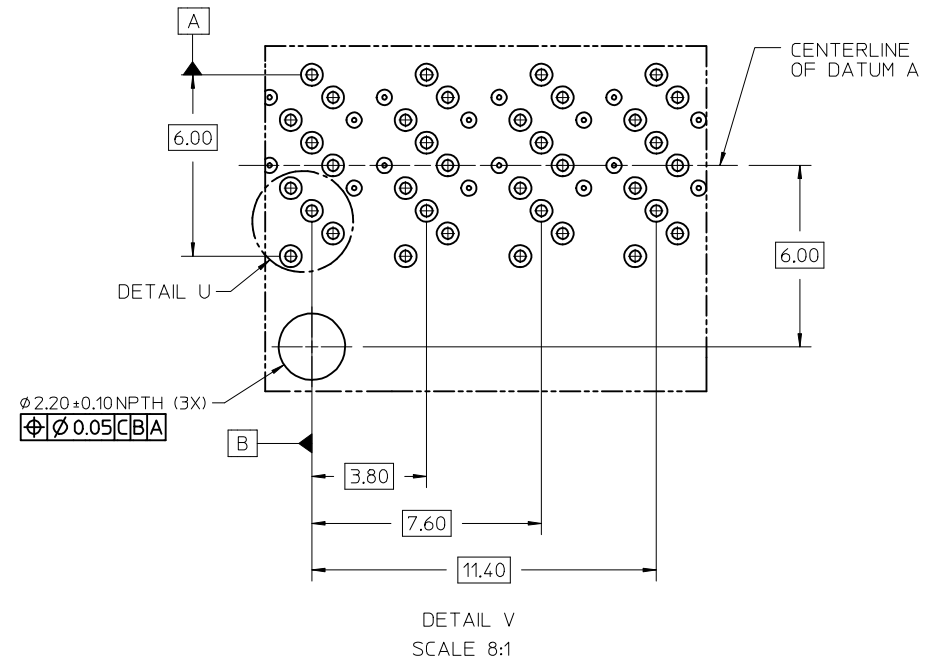
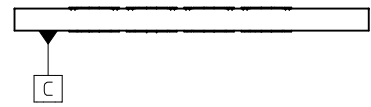
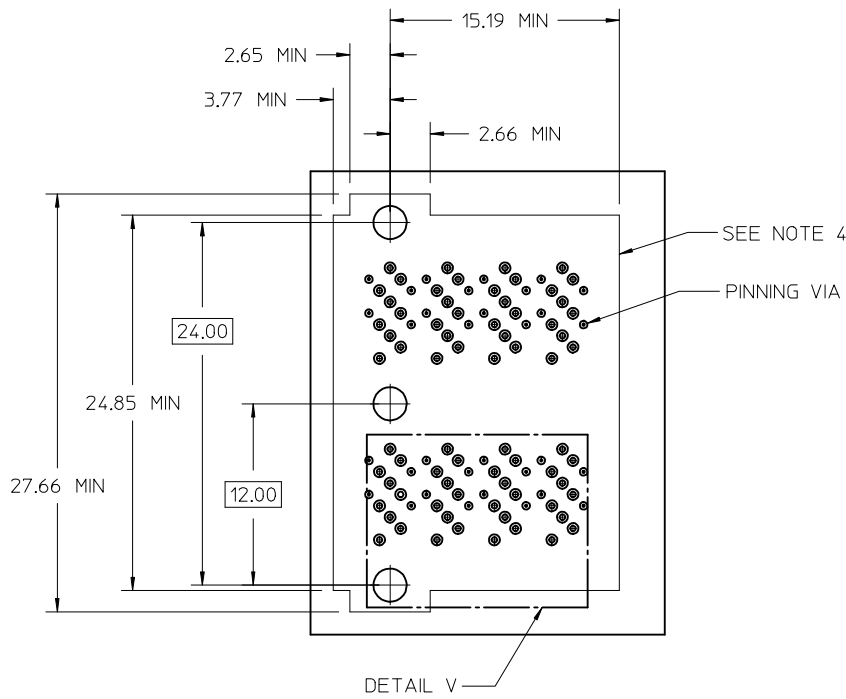


1X1 RECOMMENDED FOOTPRINT

NOTES:

1. RECOMMENDED DRILL SIZE FOR A 0.37 ϕ FINISHED PTH REFER TO APPLICATION SPECIFICATION AS-170729-0001
2. MINIMUM RECOMMENDED SPACING IS 16.00MM
3. MINIMUM RECOMMENDED PCB THICKNESS: 1.57MM
4. CONNECTOR KEEP OUT AREA

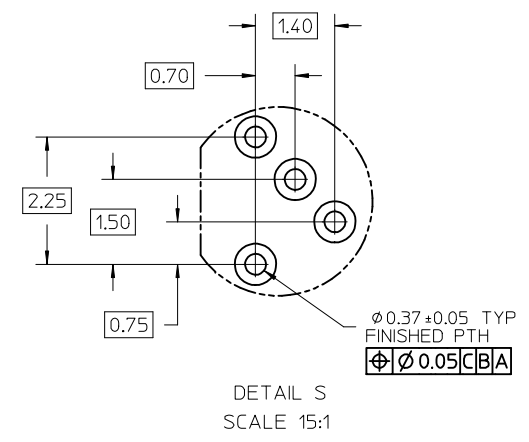
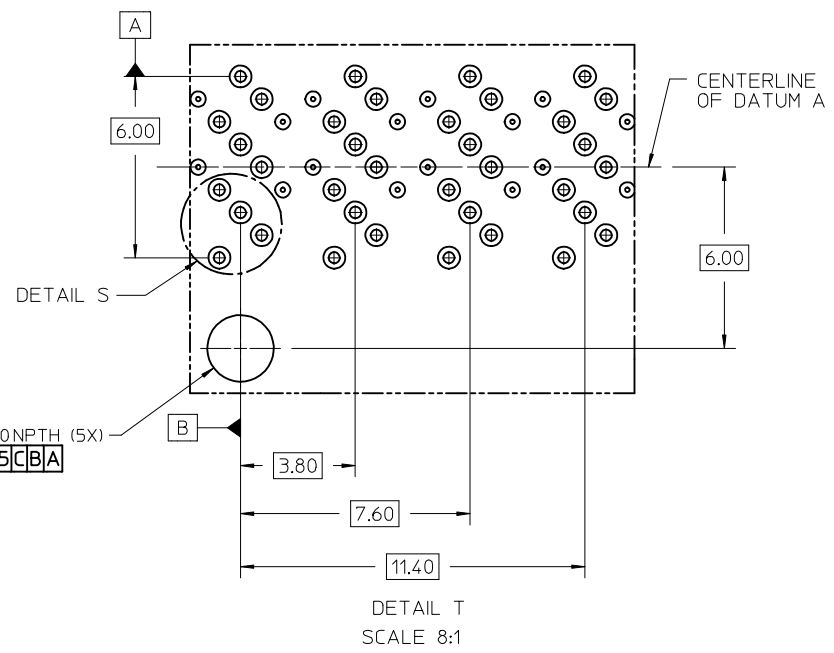
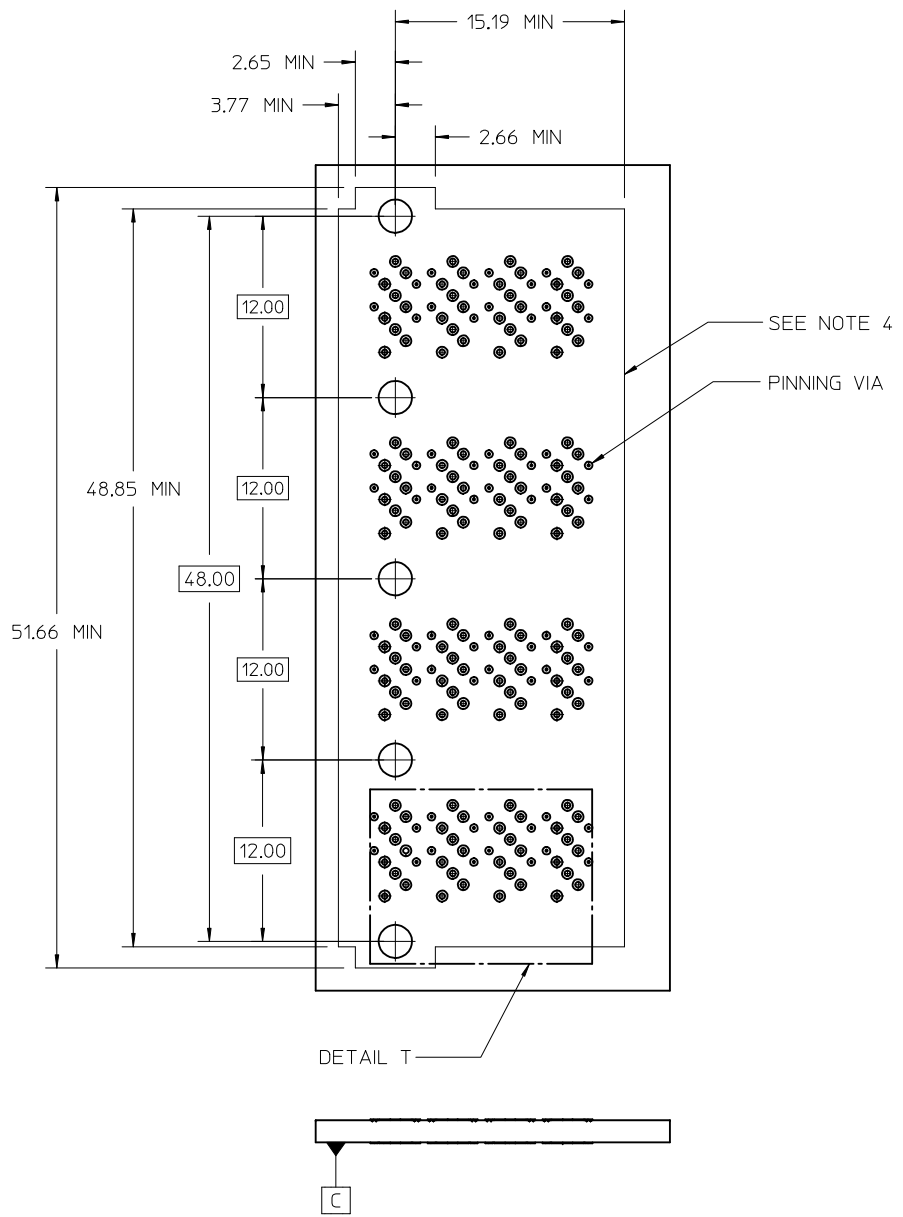
SEE SHEET 1 EC NO: UCP2015-0282 DRINKINGHAM 2014/07/22 CHKD:TMCCLELLAND 2014/09/11 APPR:TMCCLELL 2014/09/11	QUALITY SYMBOLS 	GENERAL TOLERANCES (UNLESS SPECIFIED)		DIMENSION STYLE MM ONLY	SCALE 4:1	DESIGN UNITS METRIC	THIRD ANGLE PROJECTION	
		4 PLACES ± --- ± ---	mm INCH	DRAWN BY KLANG	DATE 2011/11/01	TITLE IPASS VERTICAL ZHD INTERNAL ASSEMBLY 1X1, 1X2, 1X4		
		3 PLACES ± --- ± ---		CHECKED BY TMCCLELLAND	DATE 2012/07/24	molex DOCUMENT NO. SD-170729-0001		
		2 PLACES ± 0.13 ± ---		APPROVED BY MBANAKIS	DATE 2012/07/25			
1 PLACE ± 0.25 ± ---		ANGULAR ± 2 °		MATERIAL NO.				
0 PLACE ± ±		DRAFT WHERE APPLICABLE MUST REMAIN WITHIN DIMENSIONS		SIZE C				



1X2 RECOMMENDED FOOTPRINT

- NOTES:
1. RECOMMENDED DRILL SIZE FOR A 0.37 ϕ FINISHED PTH REFER TO APPLICATION SPECIFICATION AS-170729-0001
 2. MINIMUM RECOMMENDED SPACING IS 28.00MM
 3. MINIMUM RECOMMENDED PCB THICKNESS: 1.57MM
 4. CONNECTOR KEEP OUT AREA

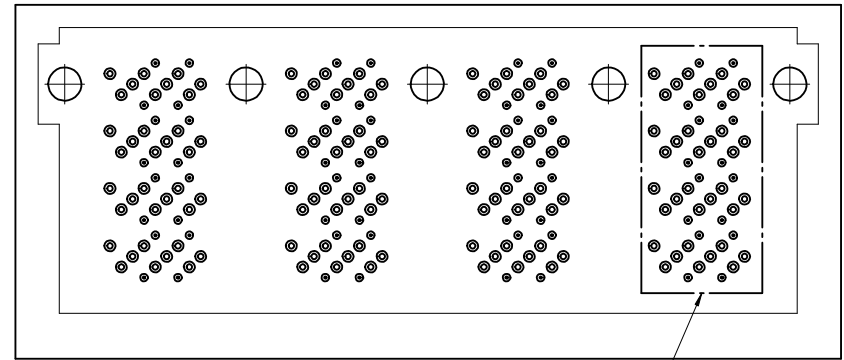
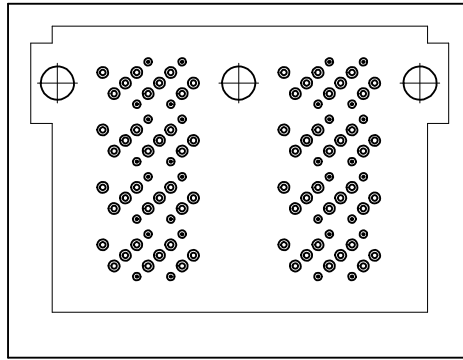
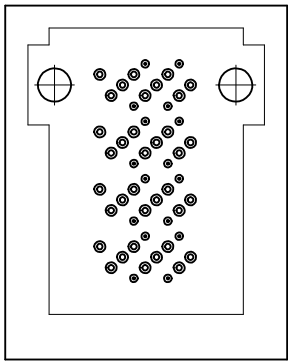
SEE SHEET 1 EC NO: UCP2015-0282 DRW:KINGHAM 2014/07/22 CHKD:TMCCLELLAND 2014/09/11 APPR:TMCCLELL 2014/09/11	QUALITY SYMBOLS	GENERAL TOLERANCES (UNLESS SPECIFIED)	DIMENSION STYLE MM ONLY	SCALE 4:1	DESIGN UNITS METRIC	THIRD ANGLE PROJECTION
	▽=0	mm INCH	DRAWN BY DATE KLANG 2011/11/01	TITLE IPASS VERTICAL ZHD INTERNAL ASSEMBLY 1X1, 1X2, 1X4	molex DOCUMENT NO. SD-170729-0001 SHEET NO. 6 OF 8	
	▽=0	4 PLACES ± --- ± ---	CHECKED BY DATE TMCCLELLAND 2012/07/24			
	▽=0	3 PLACES ± --- ± ---	APPROVED BY DATE MBANAKIS 2012/07/25	ANGULAR ± 2°	DRAFT WHERE APPLICABLE MUST REMAIN WITHIN DIMENSIONS	
13	REV	0 PLACE ± ±	MATERIAL NO. SEE CHART	THIS DRAWING CONTAINS INFORMATION THAT IS PROPRIETARY TO MOLEX INCORPORATED AND SHOULD NOT BE USED WITHOUT WRITTEN PERMISSION		



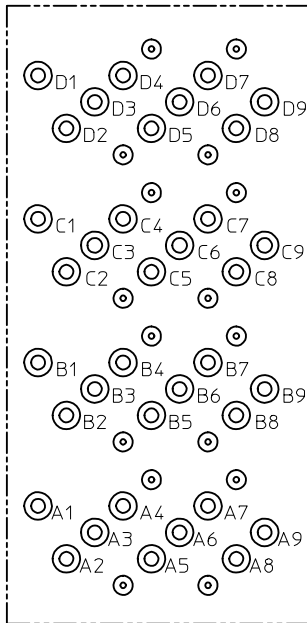
1X4 RECOMMENDED FOOTPRINT

- NOTES:
1. RECOMMENDED DRILL SIZE FOR A 0.37 ϕ FINISHED PTH REFER TO APPLICATION SPECIFICATION AS-170729-0001
 2. MINIMUM RECOMMENDED SPACING IS 52.00MM
 3. MINIMUM RECOMMENDED PCB THICKNESS: 1.57MM
 4. CONNECTOR KEEP OUT AREA

SEE SHEET 1 IEC NO: UCP2015-0282 IDRWINKBINGHAM 2014/07/22 CHKD:TMCCLELLAND 2014/09/11 APPR:TMCCLELL 2014/09/11	QUALITY SYMBOLS	GENERAL TOLERANCES (UNLESS SPECIFIED)		DIMENSION STYLE MM ONLY		SCALE 4:1	DESIGN UNITS METRIC	THIRD ANGLE PROJECTION	
		mm	INCH	DRAWN BY KLANG	DATE 2011/11/01	TITLE IPASS VERTICAL ZHD INTERNAL ASSEMBLY 1X1, 1X2, 1X4			
		4 PLACES ± --- ± ---	3 PLACES ± --- ± ---	CHECKED BY TMCCLELLAND	DATE 2012/07/24	molex DOCUMENT NO. SD-170729-0001			
		2 PLACES ± 0.13 ± ---	1 PLACE ± 0.25 ± ---	APPROVED BY MBANAKIS	DATE 2012/07/25				
	0 PLACE ± ±	ANGULAR ± 2 °		MATERIAL NO. SEE CHART					
		DRAFT WHERE APPLICABLE MUST REMAIN WITHIN DIMENSIONS		THIS DRAWING CONTAINS INFORMATION THAT IS PROPRIETARY TO MOLEX INCORPORATED AND SHOULD NOT BE USED WITHOUT WRITTEN PERMISSION					



SEE DETAIL 1



DETAIL 1
CIRCUIT IDENTIFICATION
(TYP EACH PORT)

RECOMMENDED TOOLING KEEP OUT AREAS (TBD)

SEE SHEET 1 EC NO: UCP2015-0282 DRW: DRINKBINGHAM 2014/07/22 CHKD: MCCLELLAND 2014/09/11 APPR: MCCLELL 2014/09/11	QUALITY SYMBOLS	GENERAL TOLERANCES (UNLESS SPECIFIED)		DIMENSION STYLE MM ONLY	SCALE 4:1	DESIGN UNITS METRIC	THIRD ANGLE PROJECTION
	▽=0	mm	INCH	DRAWN BY KLANG	DATE 2011/11/01	IPASS VERTICAL ZHD INTERNAL ASSEMBLY 1X1, 1X2, 1X4 molex DOCUMENT NO. SD-170729-0001	
	▽=0	4 PLACES ± ---	± ---	CHECKED BY TMCCLELLAND	DATE 2012/07/24		
	▽=0	3 PLACES ± ---	± ---	APPROVED BY MBANAKIS	DATE 2012/07/25		
▽=0	2 PLACES ± 0.13	± ---	MATERIAL NO. SEE CHART				
		1 PLACE ± 0.25	± ---	SIZE C		SHEET NO. 8 OF 8	
		0 PLACE ±	±	THIS DRAWING CONTAINS INFORMATION THAT IS PROPRIETARY TO MOLEX INCORPORATED AND SHOULD NOT BE USED WITHOUT WRITTEN PERMISSION			
		ANGULAR ± 2 °					
		DRAFT WHERE APPLICABLE MUST REMAIN WITHIN DIMENSIONS					