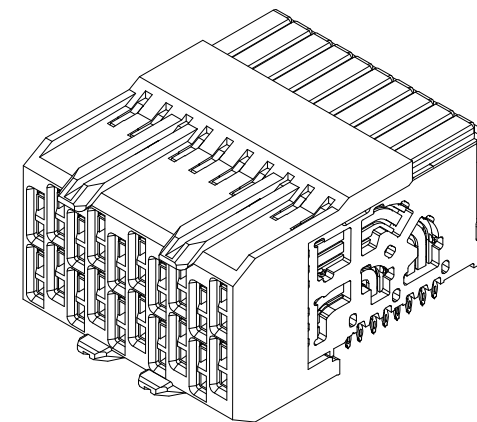


NOTES:

1. MATERIALS: HOUSING - LIQUID CRYSTAL POLYMER (LCP)
GLASS-FILLED, UL94V-0
TERMINALS - HIGH PERFORMANCE COPPER ALLOY
2. FINISH: 30uIN GOLD IN CONTACT AREA.
SELECTIVE TIN ON PCB TAILS.
NICKEL OVERALL.
3. REFER TO MOLEX PRODUCT SPECIFICATION PS-171320-999 FOR PERFORMANCE SPECIFICATIONS.
4. THIS PART CONFORMS TO CLASS B REQUIREMENTS OF MOLEX COSMETIC SPEC PS-45499-002.
5. PRODUCT WILL BE PACKAGED PER PK-78888-313.
6. SEE SHEET 2 FOR HOLE PATTERN DIMENSIONS.
7. MATES WITH IMPEL BP SERIES NUMBER 171745.
8. REFER TO IMPEL PCB ROUTING GUIDE AS-171320-990 FOR ANTIPAD, ROUTING RECOMMENDATIONS, AND ADDITIONAL PCB INFORMATION.
9. WHEN STACKING MODULES END TO END, THE MINIMUM COLUMN TO COLUMN HOLE SPACING IS 2.65mm.



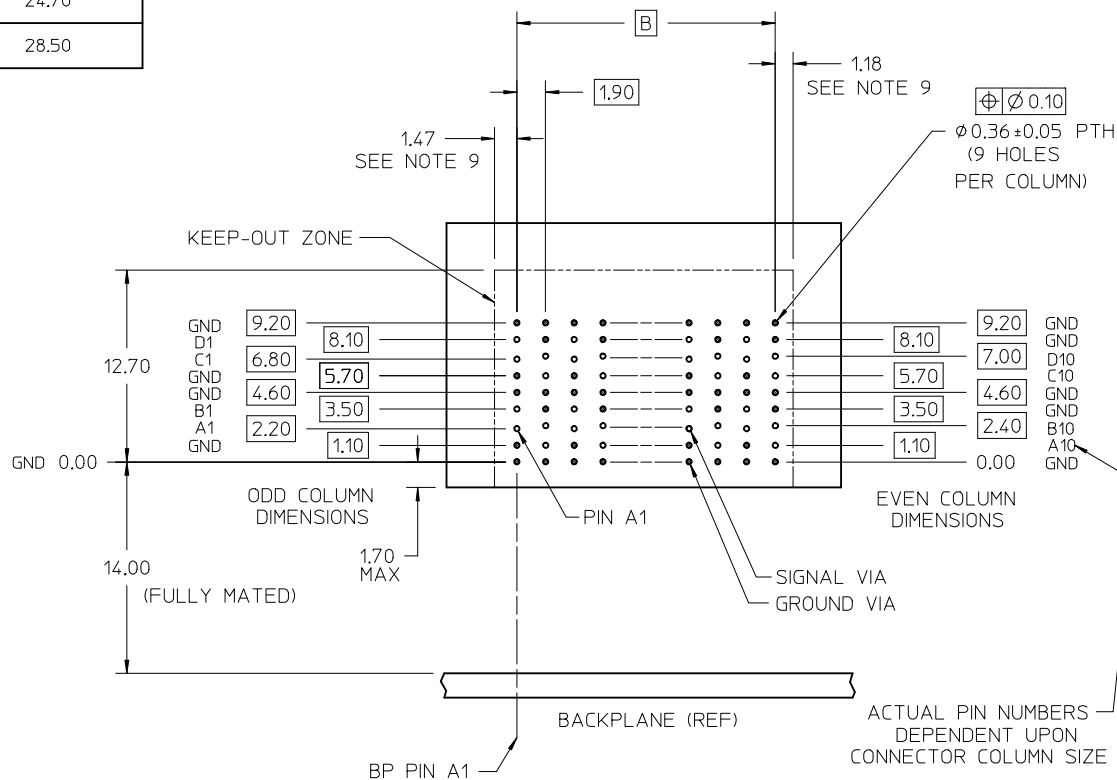
| | | | | | | | | |
|--|--|---------------------------------------|--------------|-----------------------------------|---------------------|---|----------------------------|--|
| RELEASE FOR PROD EC NO: UCP2015-2352 DRWN: JLAURX 2014/12/08 CHKD: APPR: BINGHAM 2014/12/18 REV A | QUALITY SYMBOLS ▽ = 0 ▽ = 0 ▽ = 0 | GENERAL TOLERANCES (UNLESS SPECIFIED) | | DIMENSION STYLE MM ONLY | SCALE 4:1 | DESIGN UNITS METRIC | THIRD ANGLE PROJECTION | |
| | | 4 PLACES ± --- ± --- | mm INCH | DRAWN BY JLAURX | DATE 2012/12/05 | TITLE IMPEL DAUGHTERCARD ASSY 2 PAIR - 1.9MM PITCH UNGUIDED SALES DRAWING | | |
| | | 3 PLACES ± --- ± --- | ± 0.13 ± --- | CHECKED BY | DATE | molex | | |
| | | 2 PLACES ± 0.25 ± --- | ± --- ± --- | APPROVED BY JB INGHAM | DATE 2014/12/18 | DOCUMENT NO. SD-171750-0001 | SHEET NO. 1 OF 2 | |
| 0 PLACE ± --- ± --- | | ANGULAR ±1/2° | | MATERIAL NO. SEE CHART | | THIS DRAWING CONTAINS INFORMATION THAT IS PROPRIETARY TO MOLEX INCORPORATED AND SHOULD NOT BE USED WITHOUT WRITTEN PERMISSION | | |
| DRAFT WHERE APPLICABLE MUST REMAIN WITHIN DIMENSIONS | | SIZE C | | | | | | |

| MATERIAL NUMBER | NUMBER OF COLUMNS | NUMBER OF DIFF PAIR | DIM "A" | DIM "B" |
|-----------------|-------------------|---------------------|-----------|---------|
| 171750-1020 | 10 | 20 | 19.75 MAX | 17.10 |
| 171750-1022 | 12 | 24 | 23.55 MAX | 20.90 |
| 171750-1024 | 14 | 28 | 27.35 MAX | 24.70 |
| 171750-1026 | 16 | 32 | 31.15 MAX | 28.50 |

171750-10**

MODULE TYPE
1 = UNGUIDED

COLUMN SIZE
20 = 10 COLUMN
22 = 12 COLUMN
24 = 14 COLUMN
26 = 16 COLUMN



DAUGHTERCARD HOLE PATTERN
(CONNECTOR SIDE)

| | | | | | | | | |
|---|--------------------------------------|--|----------------------|-----------------------------------|---|---|------------------------|--|
| SEE SHEET 1 EC NO: UCP2015-2352 DRWN: LAURX 2014/12/08 CHKD: APPR: BINGHAM 2014/12/18 | QUALITY SYMBOLS ▽=0 ▽=0 ▽=0 | GENERAL TOLERANCES (UNLESS SPECIFIED) | | DIMENSION STYLE MM ONLY | SCALE 4:1 | DESIGN UNITS METRIC | THIRD ANGLE PROJECTION | |
| | | 4 PLACES ± --- ± --- | 3 PLACES ± --- ± --- | DRAWN BY JLAURX | DATE 2012/12/05 | TITLE IMPEL DAUGHTERCARD ASSY 2 PAIR - 1.9MM PITCH UNGUIDED SALES DRAWING | | |
| | | 2 PLACES ± 0.13 ± --- | 1 PLACE ± 0.25 ± --- | CHECKED BY | DATE | APPROVED BY JB INGHAM | | |
| | | 0 PLACE ± --- ± --- | ANGULAR ±1/2° | APPROVED BY DATE 2014/12/18 | | DOCUMENT NO. SD-171750-0001 | | |
| A | REV | DRAFT WHERE APPLICABLE MUST REMAIN WITHIN DIMENSIONS | | SIZE C | THIS DRAWING CONTAINS INFORMATION THAT IS PROPRIETARY TO MOLEX INCORPORATED AND SHOULD NOT BE USED WITHOUT WRITTEN PERMISSION | | | |