

注記 NOTES

1. 使用材料 MATERIAL

ハウジング : 液晶ポリマー ガラス充填, UL94V-0(ベージュ)
HOUSING LIQUID CRYSTAL POLYMER
GLASS FILLED, UL94V-0(BEIGE)

アクチュエータ : ポリアミド ガラス充填, UL94V-0(黒)
ACTUATOR POLYAMIDE GLASS FILLED, UL94V-0(BLACK)

ターミナル : リン青銅(t=0.15)
TERMINAL PHOSPHOR BRONZE

金具 : リン青銅(t=0.15)
FITTING NAIL PHOSPHOR BRONZE

2. めっき仕様 PLATING

ターミナル TERMINAL
コンタクト部: 部分金めっき (0.05 μm以上)
テール部: 部分金めっき
下地: ニッケルめっき (1.0 μm以上)

CONTACT AREA : SEPARATED GOLD PLATING
(0.05 MICROMETER MIN.)
SOLDER TAIL AREA : SEPARATED GOLD PLATING
UNDERPLATE : NICKEL OVERALL
(1.0 MICROMETER MIN.)

金具 FITTING NAIL

鍍めっき (1.0 μm以上)
下地: ニッケルめっき (1.0 μm以上)
TIN PLATING (1.0 MICROMETER MIN.)
UNDER PLATING : NICKEL PLATING
(1.0 MICROMETER MIN.)

3. エンボステーブ梱包時は、アクチュエータが閉じた状態とする。
IN THE PACKAGE, ACTUATOR OF
PART SHOULD BE CLOSED.

△ パターン剥離止め用金具
FITTING NAIL FOR PREVENTION OF
PEELING OF P.C.B. PATTERN.

△ R0.3は、FPC導体部にかからないこと。
R0.3 MUST NOT BE OVERLAPPED
TO PATTERN OF FPC.

6. N: 極数 N: CIRCUIT.

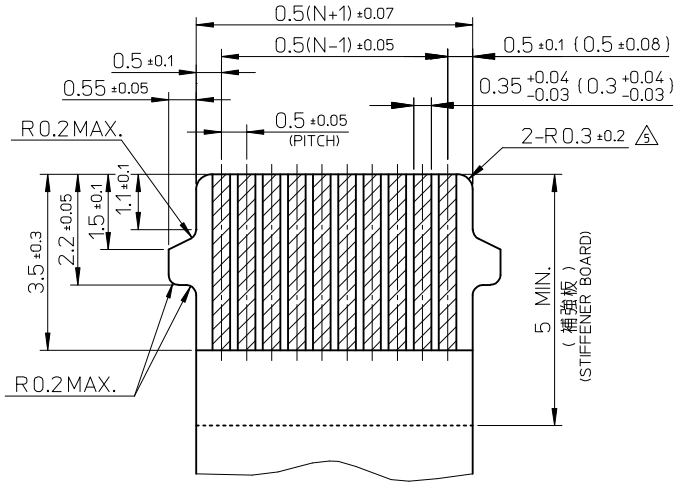
7. ELV及びRoHS適合品
ELV AND RoHS COMPLIANT

8. テールと金具を併せた平坦度は0.1mm以下とする。
TAILS AND NAILS COPLANARITY
TO BE 0.1mm MAX.

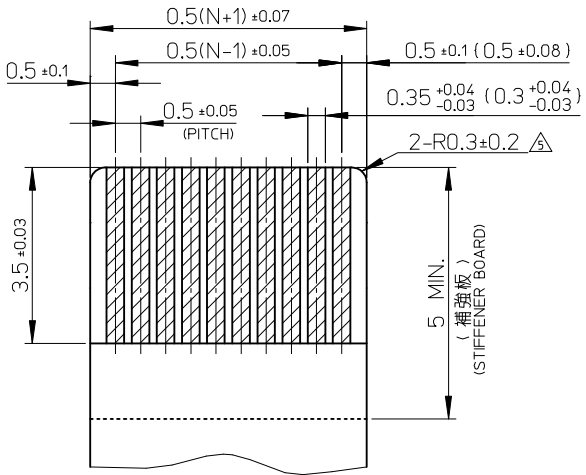
43.1	39.5	44.7	505110-8091	80
38.1	34.5	39.7	505110-7091	70
35.1	31.5	36.7	505110-6491	64
33.1	29.5	34.7	505110-6091	60
28.1	24.5	29.7	505110-5091	50
25.6	22.0	27.2	505110-4591	45
23.1	19.5	24.7	505110-4091	40
18.1	14.5	19.7	505110-3091	30
17.1	13.5	18.7	505110-2891	28
15.1	11.5	16.7	505110-2491	24
14.1	10.5	15.7	505110-2291	22
13.1	9.5	14.7	505110-2091	20
C	B	A	EMBOSSED PACKAGE	Ckt
			オーダー番号 ORDER NO.	

CONNECTOR SERIES NO. 505110-***11

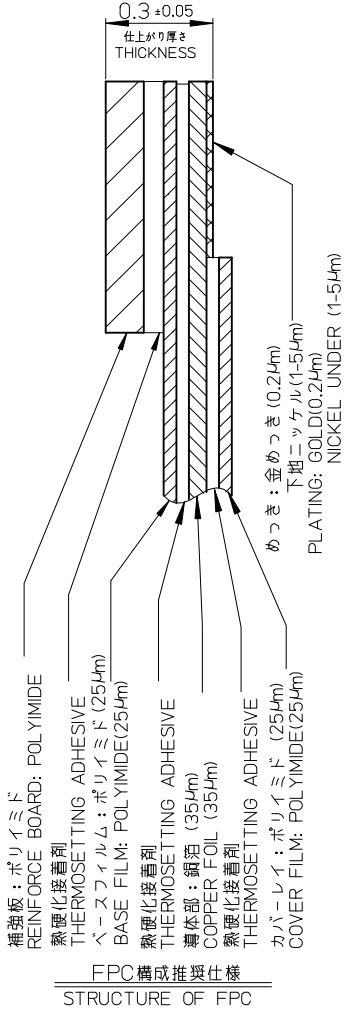
REVISED EC NO: J2015-1049 DR: MNKONDO 2015/02/09 CHK: KTAHASHI 2015/02/09 APP: YNOGAWA 2015/02/10	GENERAL TOLERANCES (UNLESS SPECIFIED)		DIMENSION STYLE MM ONLY		SCALE 8:1	DESIGN UNITS METRIC	THIRD ANGLE PROJECTION
	0.25 UNDER	±0.03	DRAWN BY	DATE	TITLE		
	0.25 OVER 0.5 UNDER	±0.05	JASANUMA	2014/02/25	0.5 FPC CONN ZIF E/O 2 CONTACTS TYPE HSG ASSY (H=1.9)		
	0.5 OVER 1.0 UNDER	±0.1	CHECKED BY	DATE	molex		
1.0 OVER 10 UNDER	±0.2	KTAHASHI	2014/07/28				
10 OVER 30 UNDER	±0.25	APPROVED BY	DATE	DOCUMENT NO.			
30 OVER	±0.3	YNOGAWA	2014/11/10	SD-505110-001			
ANGULAR	±1 °	MATERIAL NO.		SEE CHART			SHEET NO. 1 OF 2
DRAFT WHERE APPLICABLE MUST REMAIN WITHIN DIMENSIONS		SIZE A3	THIS DRAWING CONTAINS INFORMATION THAT IS PROPRIETARY TO MOLEX INCORPORATED AND SHOULD NOT BE USED WITHOUT WRITTEN PERMISSION				



適合FPC/FFC推奨寸法
APPLICABLE FPC/FFC
RECOMMENDED DIMENSION
():FPCに適用
():APPLY TO FFC



耳無し適合FPC/FFC推奨寸法
APPLICABLE NON-TAB FPC/FFC
RECOMMENDED DIMENSION
():FPCに適用
():APPLY TO FFC



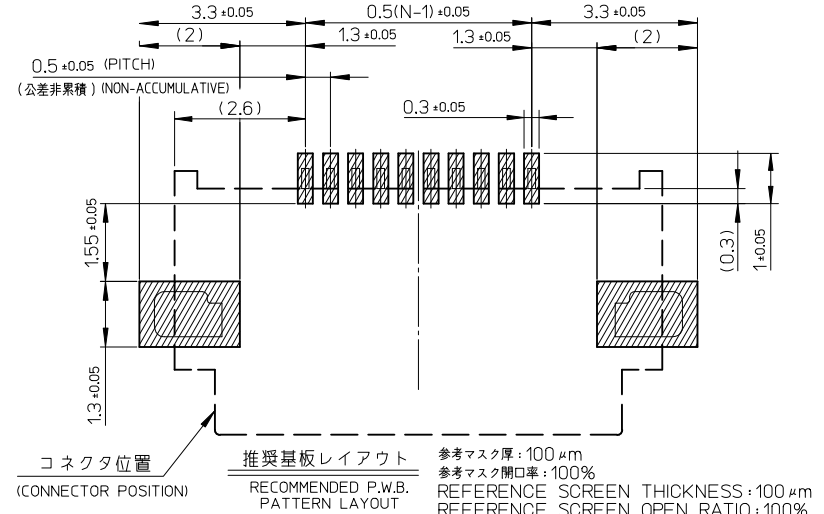
FPC構成推奨仕様
STRUCTURE OF FPC

FPC/FFCについて ABOUT FPC/FFC

打ち抜き方向は導体側から補強板側を推奨します。
導体部については軟箔銅35µmまたは50µmを推奨します。
FFCに規定された定格温度がFFC単体前提である場合が御座います。
コネクタと組み合わせたの実用に置いて、接着層が劣化するなどの信頼性を満足できないケースを回避するため、実機での評価/確認をお願い致します。
RECOMMENDED PUNCHING DIRECTION: FROM CONDUCTOR SIDE TO STIFFENER SIDE
RECOMMENDED CONDUCTOR SPEC: SOFT COPPER FOIL
RECOMMENDED CONDUCTOR THICKNESS: 35 MICROMETER OR 50 MICROMETER
NOTE: WHEN ACTUALLY USING IT WITH CONNECTOR, PLEASE DO THE EVALUATION AND THE CONFIRMATION WITH AN ACTUAL EQUIPMENT TO EVADE THE CASE WHERE RELIABILITY CANNOT BE FILLED (THE ADHESIVE LINE OF FFC IS DETERIORATED ETC.)

FPCについて ABOUT FPC

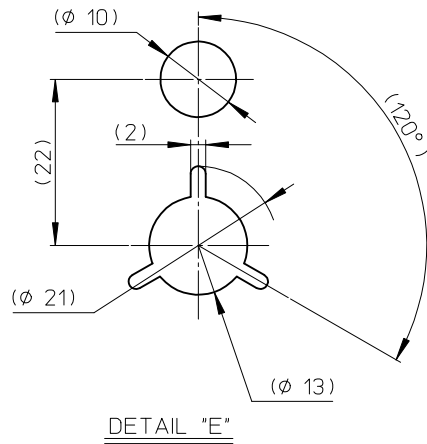
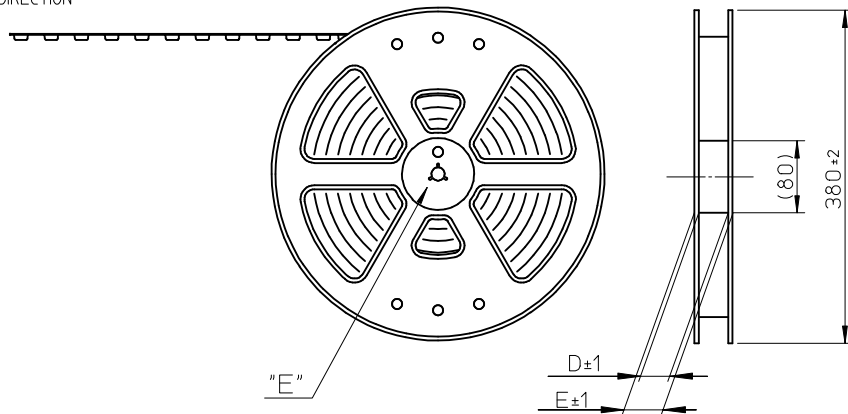
補強フィルム材質はポリイミドを推奨します。ベースフィルムは25µmを推奨します。
接着剤は熱硬化接着剤を推奨します。
尚、接着剤の接点部への付着は導通不良の原因になりますので、染み出しが無い様お願い致します。
RECOMMENDED MATERIAL/THICKNESS.
RECOMMENDED STIFFENER MATERIAL: POLYIMIDE
RECOMMENDED BASE FILM THICKNESS: 25 MICROMETER
RECOMMENDED ADHESIVE: THERMOSETTING ADHESIVE
NOTE: PLEASE PUT APPROPRIATE AMOUNT OF ADHESIVE ON ADHEREND BECAUSE THERE IS A POSSIBILITY THAT THE EXTRA ADHESIVE CAUSES THE DEFECT IN ELECTRICAL CONTINUITY. THERE IS A POSSIBILITY THAT THE PRESCRIPT TEMPERATURE OF FFC IS SET TO SINGLE IT.



SEE SHEET 1 EC NO: J2015-1049 DRAWN:KONDO 2015/02/09 CHKD:KAKAHASHI 2015/02/09 APPR:YNOGAWA 2015/02/10	GENERAL TOLERANCES (UNLESS SPECIFIED)		DIMENSION STYLE		SCALE	DESIGN UNITS	THIRD ANGLE PROJECTION
	0.25 UNDER ±0.03		MM ONLY		10:1	METRIC	
	0.25 OVER 0.5 UNDER ±0.05		DRAWN BY DATE		TITLE		
	0.5 OVER 1.0 UNDER ±0.1		JASANUMA 2014/02/25		0.5 FPC CONN ZIF E/O 2 CONTACTS TYPE HSG ASSY (H=1.9)		
REV	1.0 OVER 10 UNDER ±0.2		CHECKED BY DATE		DOCUMENT NO.		SHEET NO. 2 OF 2
	10 OVER 30 UNDER ±0.25		KAKAHASHI 2014/07/28		SD-505110-001		
	30 OVER ±0.3		APPROVED BY DATE		SEE SHEET 1		
	ANGULAR ±1 °		YNOGAWA 2014/11/10		THIS DRAWING CONTAINS INFORMATION THAT IS PROPRIETARY TO MOLEX INCORPORATED AND SHOULD NOT BE USED WITHOUT WRITTEN PERMISSION		
DRAFT WHERE APPLICABLE MUST REMAIN WITHIN DIMENSIONS		SIZE A3					

引き出し方向

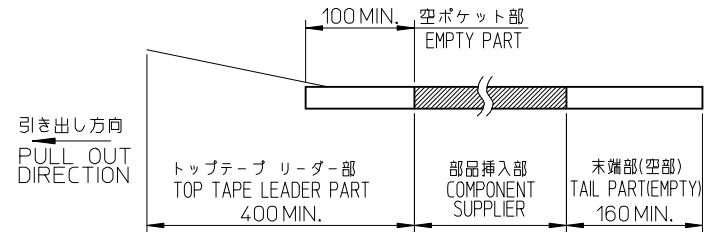
PULL OUT DIRECTION



NOTES

1. 梱包数量 : 3000個/リール
NUMBER OF CONNECTORS : 3000PIECES/REEL

2. リードテープ長さ
LEAD TAPE LENGTH



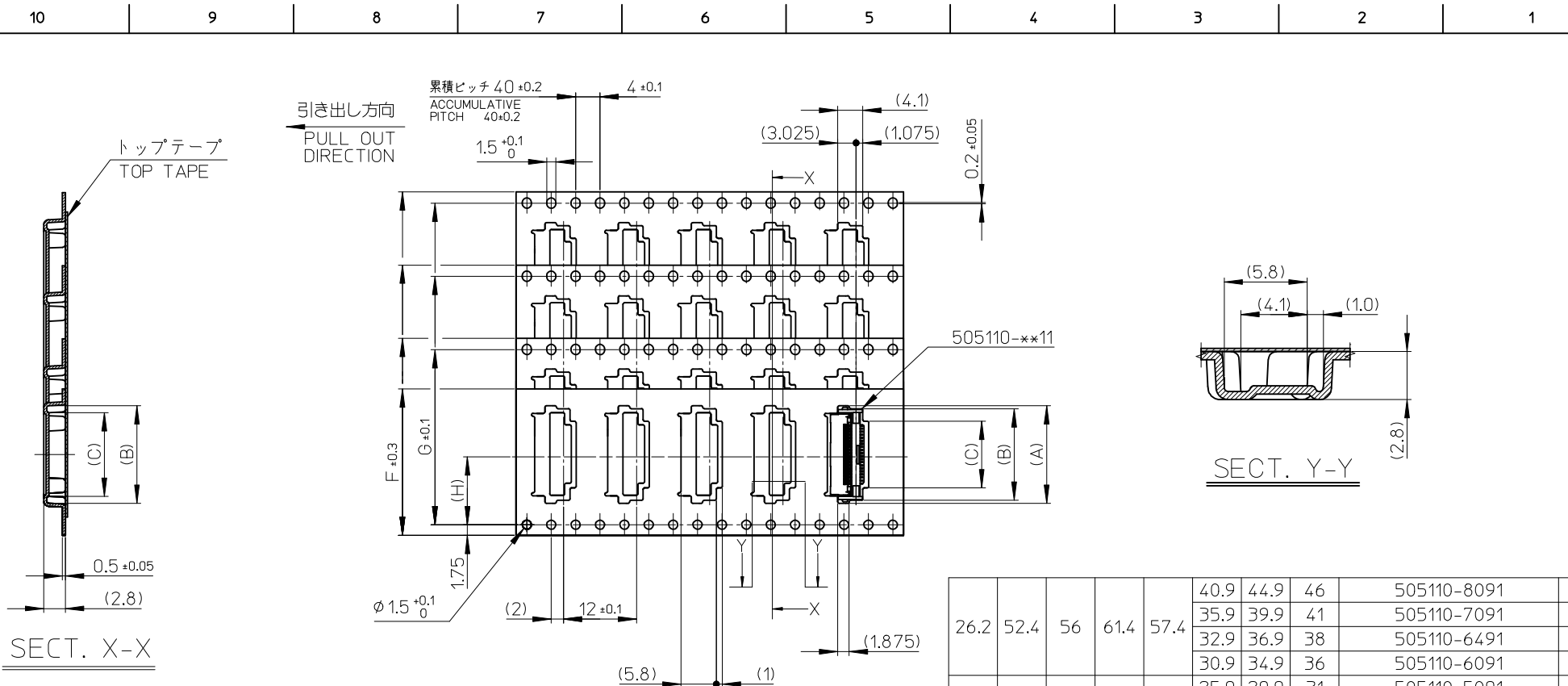
3. カバーテープの剥離強度については、IEC60286-3に準拠
COVER TAPE PEEL FORCE IS DEFINED BY IEC 60286-3.

4. 製品詳細寸法については図面 SD-505110-001を参照下さい。
FOR DIMENSIONS OF PRODUCT, REFER TO SD-505110-001.

5. 材料 MATERIAL
 キャリアテープ : ポリスチレン
 CARRIER TAPE : POLYSTYRENE
 トップテープ : ポリエチレンテレフタレート, ポリエチレン
 TOP TAPE : POLYETHYLENE TEREPHTHALATE , POLYETHYLENE
 リール : ポリスチレン<リサイクル材を含む>
 REEL : POLYSTYRENE<RECYCLE MATERIAL CONTAINED>

6. ELV及びRoHS適合品 ELV AND RoHS COMPLIANT

REVISED EC NO: J2015-0956 DRWN: JASANUMA 2015/01/16 CHKD: TAKAHASHI 2015/02/03 APPR: YNOGAWA 2015/02/04	GENERAL TOLERANCES (UNLESS SPECIFIED)			DIMENSION STYLE MM ONLY		SCALE 1:1	DESIGN UNITS METRIC	THIRD ANGLE PROJECTION
	0.25 UNDER	UNDER	± 0.03	DRAWN BY	DATE	TITLE		
	0.25 OVER	0.5 UNDER	± 0.05	JASANUMA	2014/02/25	0.5 FPC CONN ZIF E/O 2 CONTACTS TYPE EMBSTP PACKAGE (H=1.9)		
	0.5 OVER	1.0 UNDER	± 0.1	CHECKED BY	DATE	molex		
	1.0 OVER	10 UNDER	± 0.2	KTAKAHASHI	2014/07/30			
10 OVER	30 UNDER	± 0.25	APPROVED BY	DATE	DOCUMENT NO.			
30 OVER		± 0.3	YNOGAWA	2014/11/10	SD-505110-002			
	ANGULAR	± 1 °	MATERIAL NO.		SHEET NO.			
	DRAFT WHERE APPLICABLE MUST REMAIN WITHIN DIMENSIONS			SIZE A3	THIS DRAWING CONTAINS INFORMATION THAT IS PROPRIETARY TO MOLEX INCORPORATED AND SHOULD NOT BE USED WITHOUT WRITTEN PERMISSION			



26.2	52.4	56	61.4	57.4	40.9	44.9	46	505110-8091	80					
					35.9	39.9	41	505110-7091	70					
					32.9	36.9	38	505110-6491	64					
					30.9	34.9	36	505110-6091	60					
					25.9	29.9	31	505110-5091	50					
					23.4	27.4	28.5	505110-4591	45					
					20.9	24.9	26	505110-4091	40					
					18.4	22.4	23.5	505110-3591	35					
					15.9	19.9	21	505110-3091	30					
					14.9	18.9	20	505110-2891	28					
					12.9	16.9	18	505110-2491	24					
					11.9	15.9	17	505110-2291	22					
					11.5	---	24	29.4	25.4	10.9	14.9	16	505110-2091	20
H	G	F	E	D	C	B	A	EMBOSSED PACKAGE		CKt				
								オーダー番号 ORDER NO.						

CONNECTOR SERIES NO. 505110-xx11

SEE SHEET 1 EC NO: J2015-0956 DRWN: JASANUMA 2015/01/16 CHKD: KTAKAHASHI 2015/02/03 APPR: YNOGAWA 2015/02/04	GENERAL TOLERANCES (UNLESS SPECIFIED)			DIMENSION STYLE		SCALE	DESIGN UNITS	THIRD ANGLE PROJECTION	
	0.25 UNDER	UNDER	±0.03	MM ONLY		---	METRIC		
	0.25 OVER	0.5 UNDER	±0.05	DRAWN BY	DATE	TITLE			
	0.5 OVER	1.0 UNDER	±0.1	JASANUMA	2014/02/25	0.5 FPC CONN ZIF E/O			
	1.0 OVER	10 UNDER	±0.2	CHECKED BY	DATE	2 CONTACTS TYPE			
10 OVER	30 UNDER	±0.25	KTAKAHASHI	2014/07/30	EMBSTP PACKAGE (H=1.9)				
30 OVER		±0.3	APPROVED BY	DATE					
ANGULAR	±1 °		YNOGAWA	2014/11/10					
DRAFT WHERE APPLICABLE MUST REMAIN WITHIN DIMENSIONS			MATERIAL NO.		DOCUMENT NO.		SHEET NO.		
			SEE CHART		SD-505110-002		2 OF 2		
			THIS DRAWING CONTAINS INFORMATION THAT IS PROPRIETARY TO MOLEX INCORPORATED AND SHOULD NOT BE USED WITHOUT WRITTEN PERMISSION						