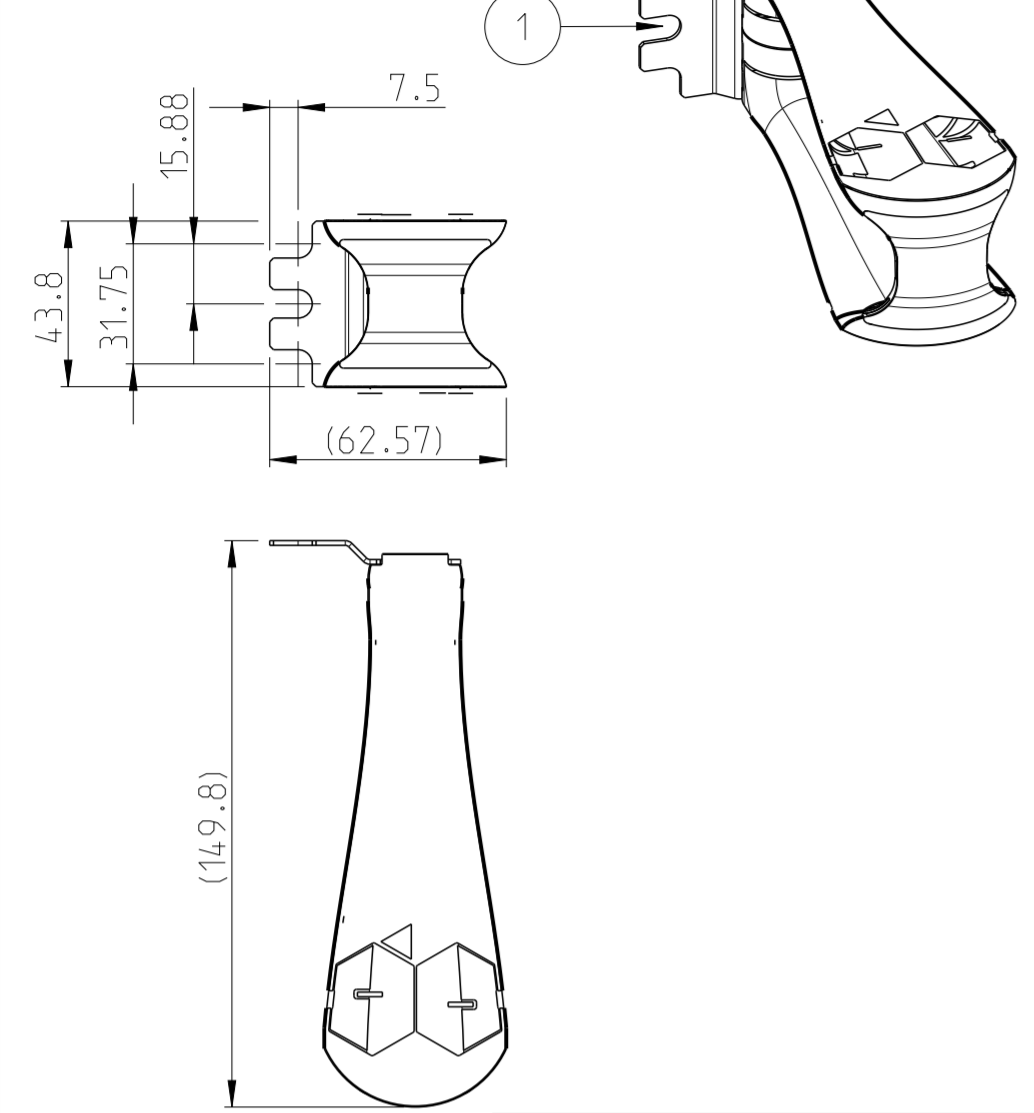


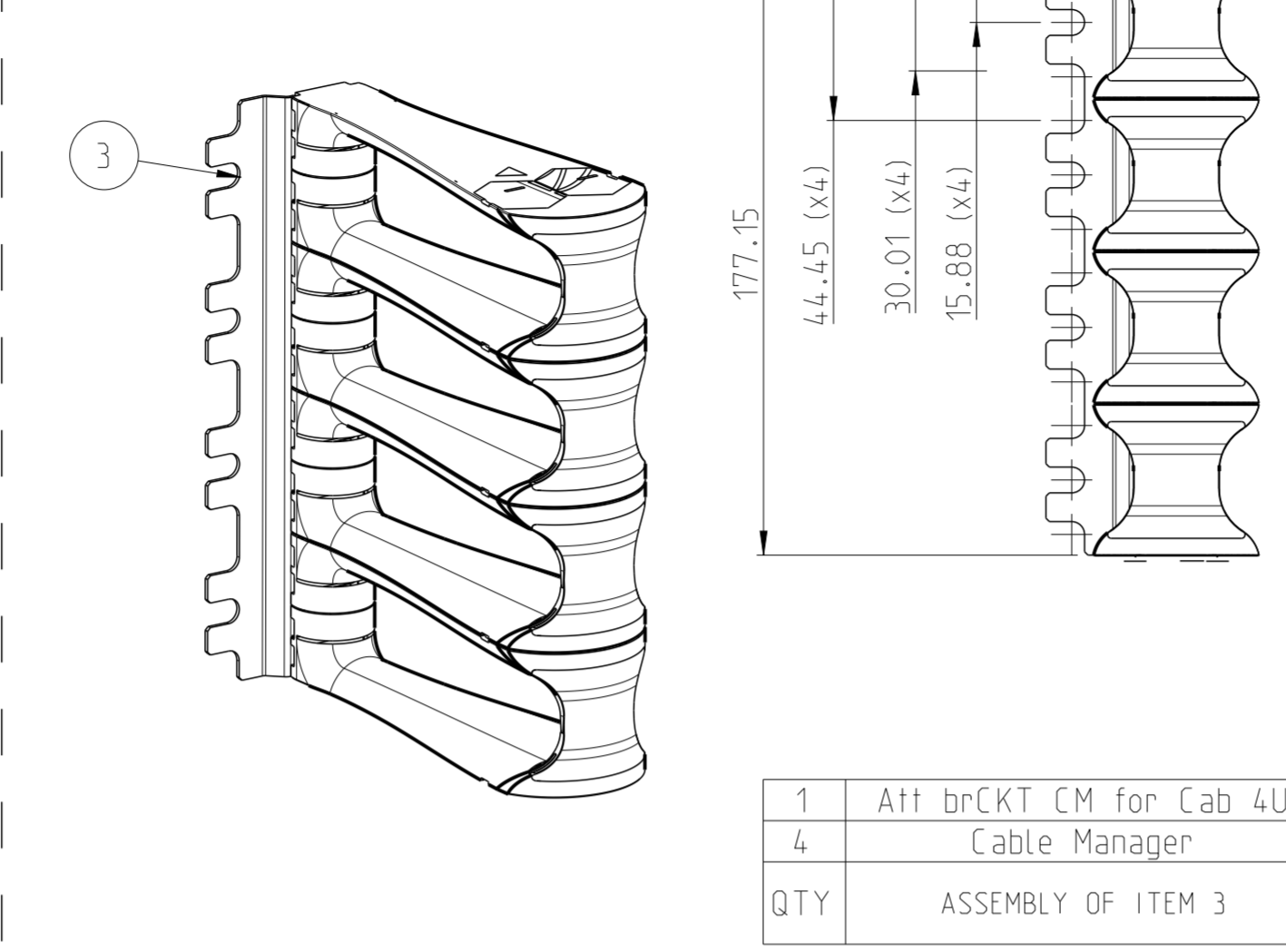
THIS DRAWING IS UNPUBLISHED. RELEASED FOR PUBLICATION 20  
 © COPYRIGHT 20 ALL RIGHTS RESERVED.

1671495-1  
Part N°



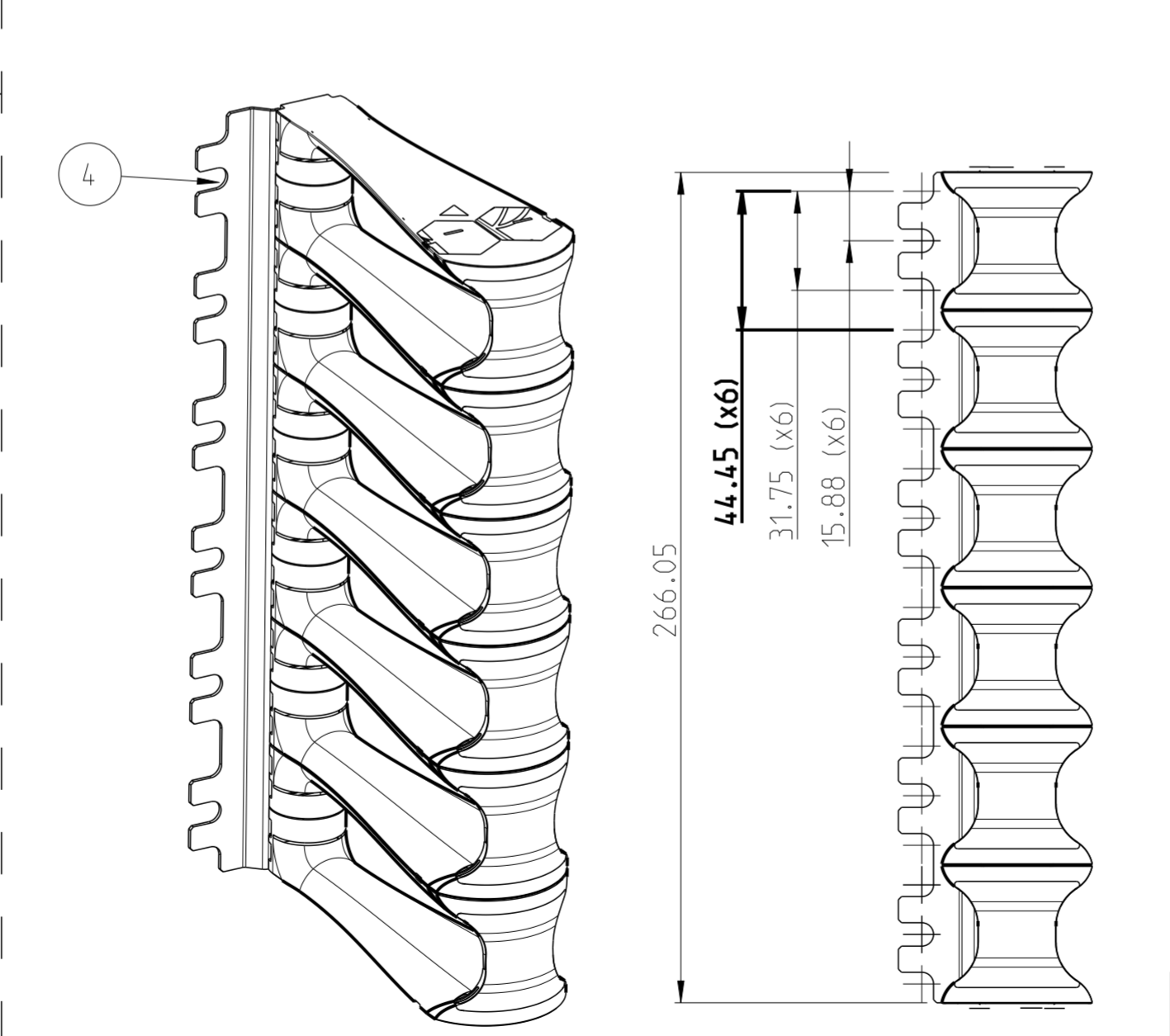
1	Att brCKT CM for Cab 1U
1	Cable Manager
QTY	ASSEMBLY OF ITEM 1

1671495-4  
Part N°



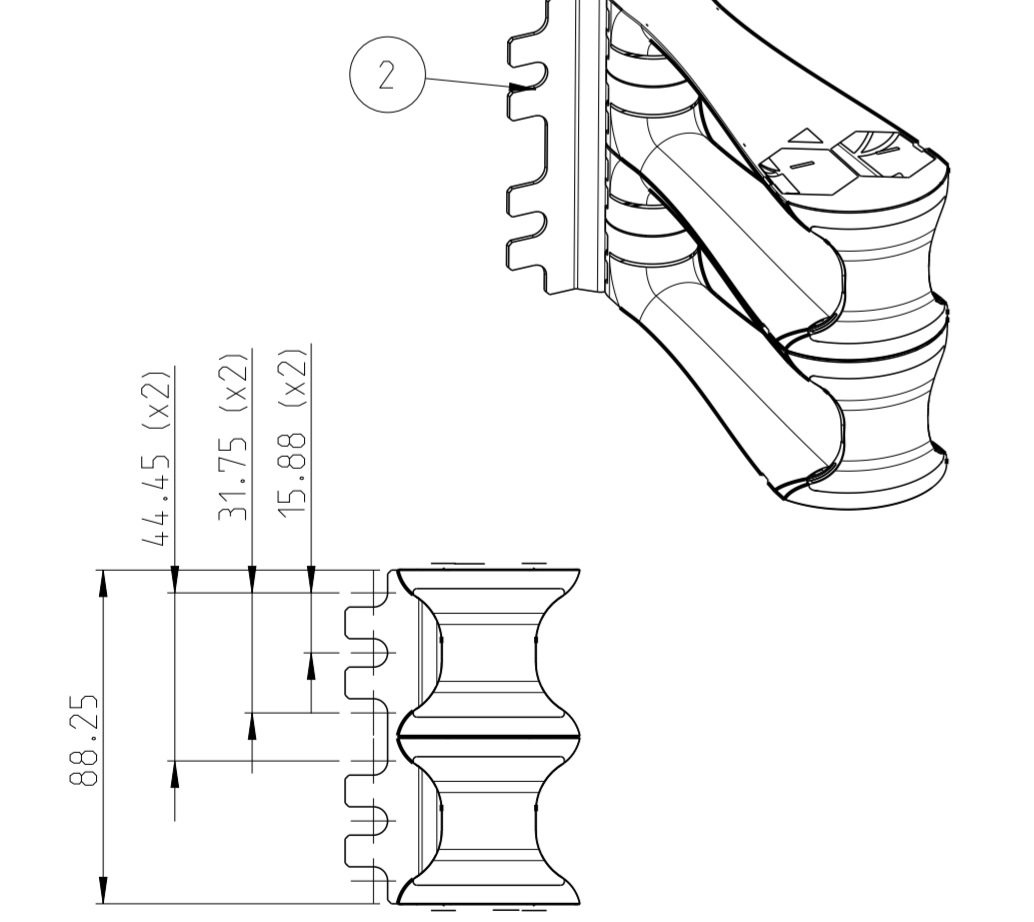
1	Att brCKT CM for Cab 4U
4	Cable Manager
QTY	ASSEMBLY OF ITEM 3

1671495-6  
Part N°



1	Att brCKT CM for Cab 6U
6	Cable Manager
QTY	ASSEMBLY OF ITEM 4

1671495-2  
Part N°

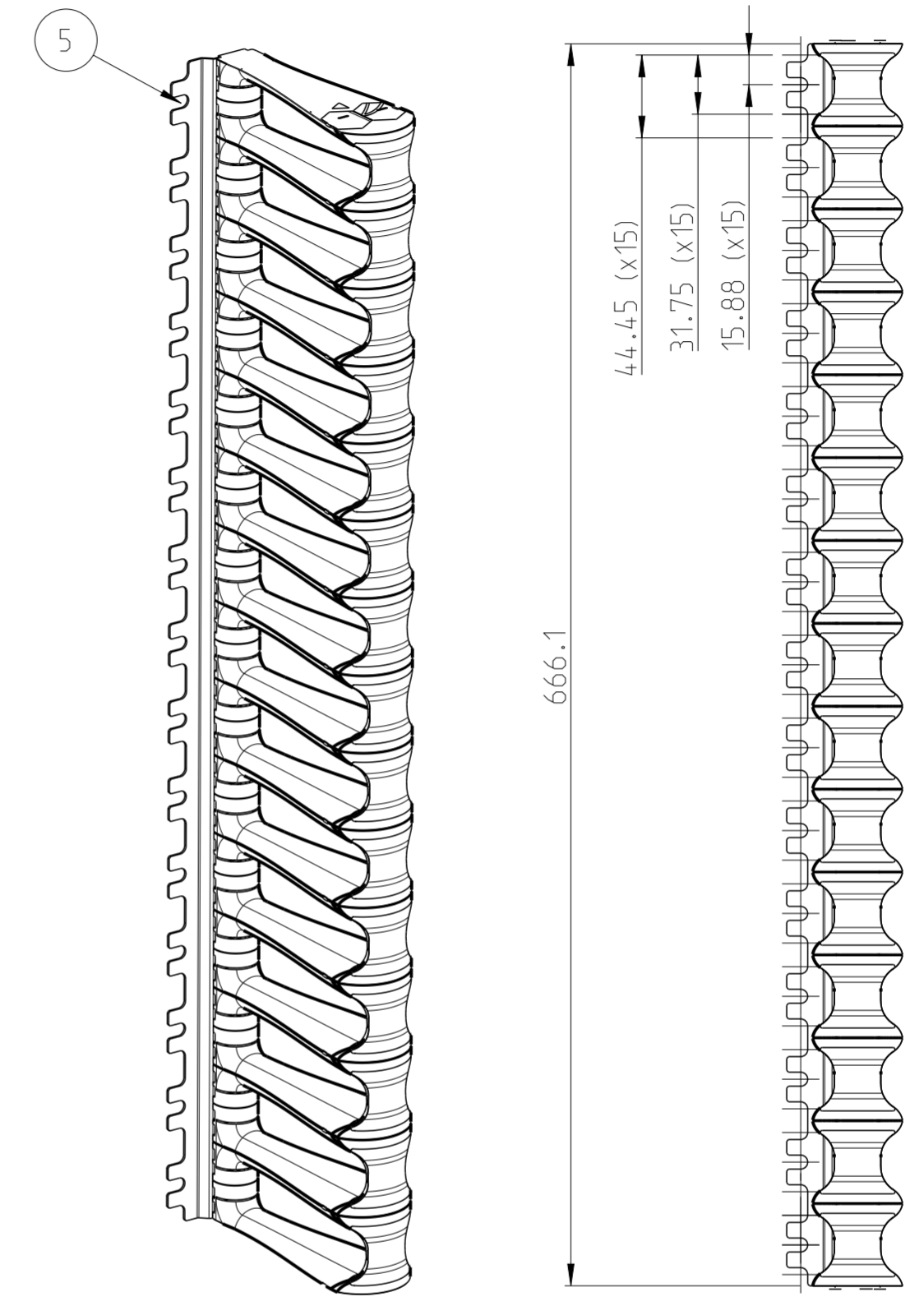


1	Att brCKT CM for Cab 2U
2	Cable Manager
QTY	ASSEMBLY OF ITEM 2

1-1671495-5  
Part N°

LOC IV DIST 00

REVISIONS					
P	LTR	DESCRIPTION	DATE	DWN	APVD
A		Initial release	22NOV2011	HB	DT
B		ECR-13-001150	21JAN2013	HB	DT
B1		TABLE ADDED WITH ASSY/PACK QTY	05MAR2013	HB	DT
C		ECR-13-017193	05NOV2013	HB	DT



1	Att brCKT CM for Cab 15U
15	Cable Manager
QTY	ASSEMBLY OF ITEM 5

QTY	DESCRIPTION	PART NUMBER	ITEM
2	High-Density Front-loading CM 15U	1-1671495-5	5
4	High-Density Front-loading CM 6U	1671495-6	4
4	High-Density Front-loading CM 4U	1671495-4	3
8	High-Density Front-loading CM 2U	1671495-2	2
16	High-Density Front-loading CM 1U	1671495-1	1
PACKAGING QTY		PART NUMBER	ITEM
PIECES / BOX			

THIS DRAWING IS A CONTROLLED DOCUMENT.

DWN H.BLEUS 03OCT2011  
 CHK H.BLEUS 03OCT2011  
 APVD D.THLJS 03OCT2011

TE Connectivity

NAME High-Density Front-Loading Cable Manager

SIZE A2 CAGE CODE 00779 DRAWING NO. C-1671495 RESTRICTED TO

CUSTOMER DRAWING SCALE 1:2 SHEET 1 OF 1 REV C