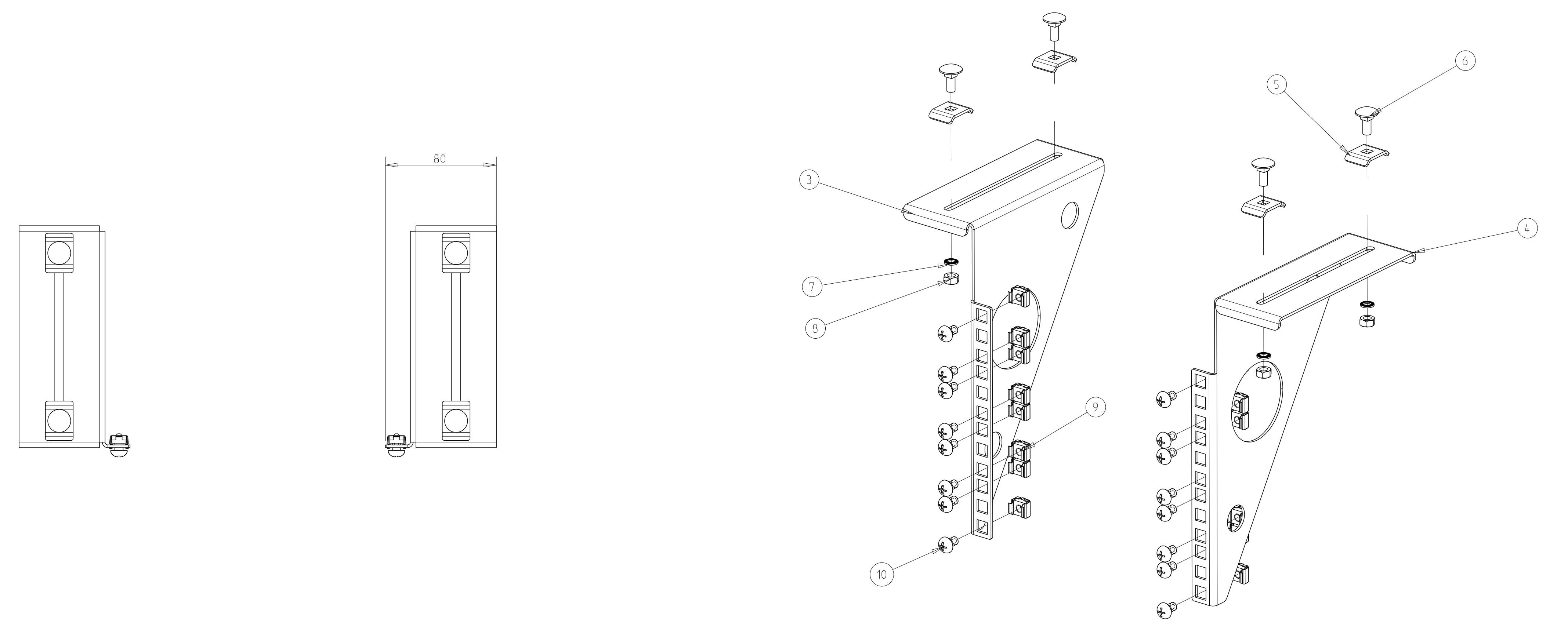
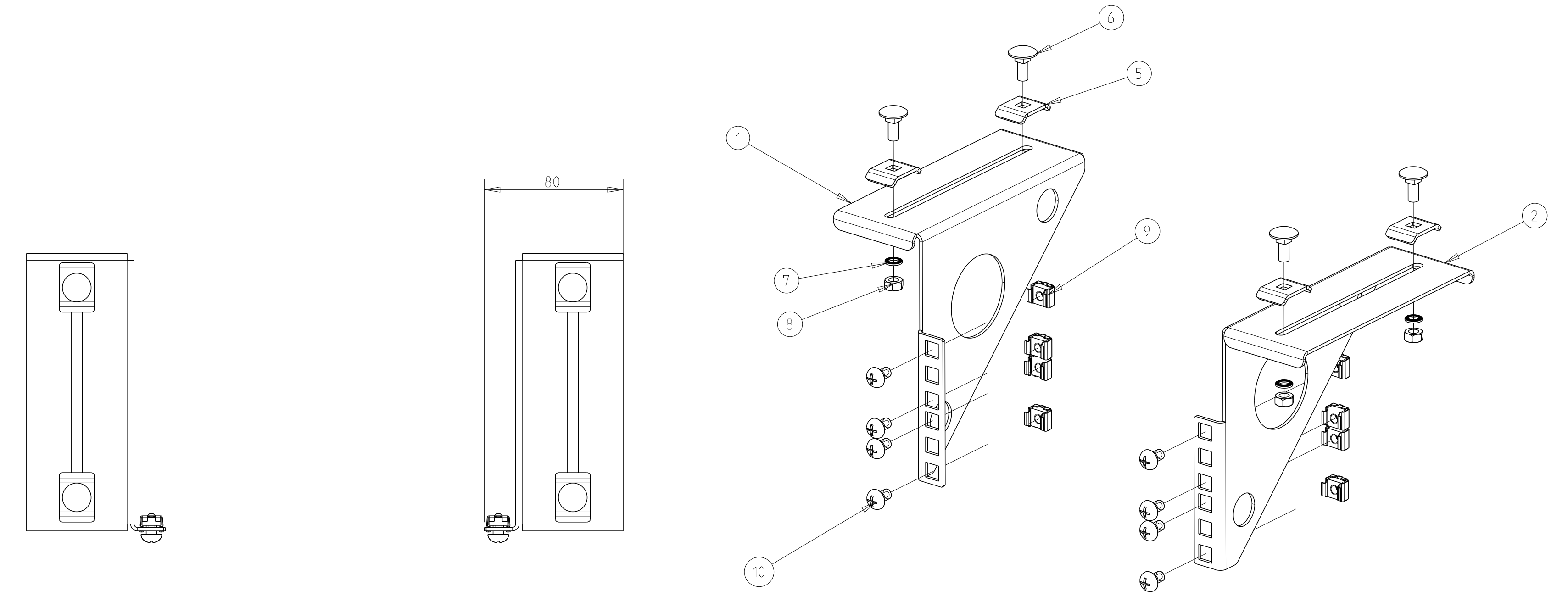
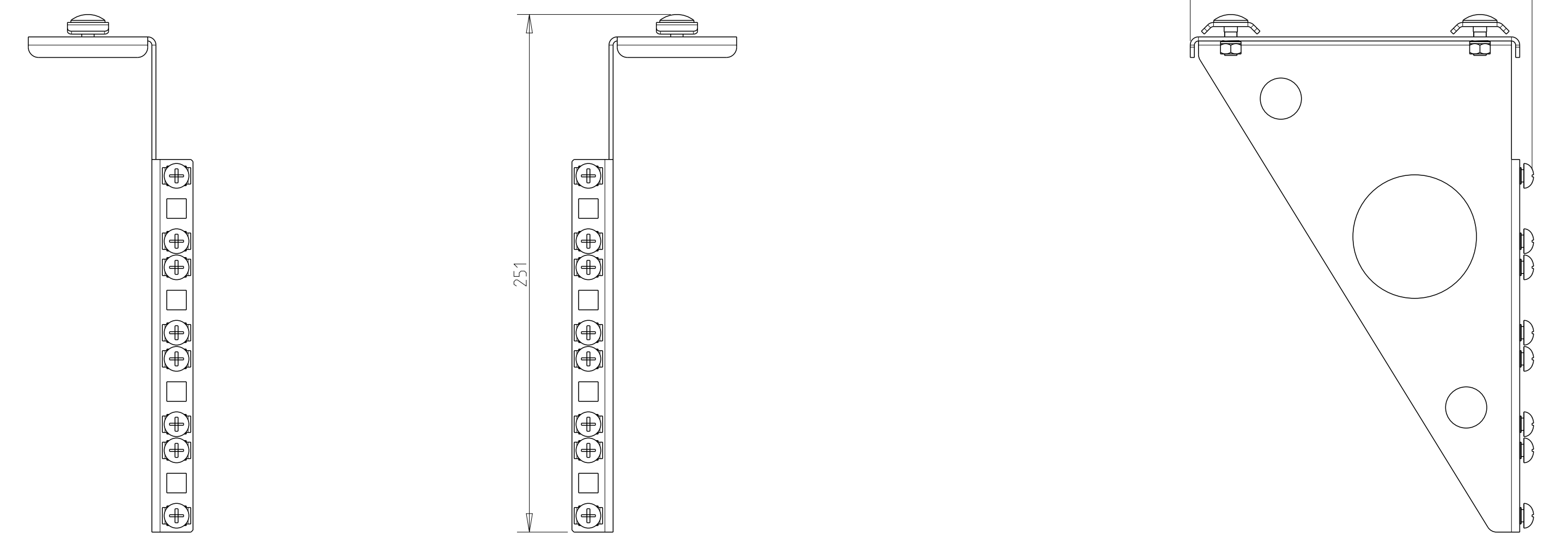
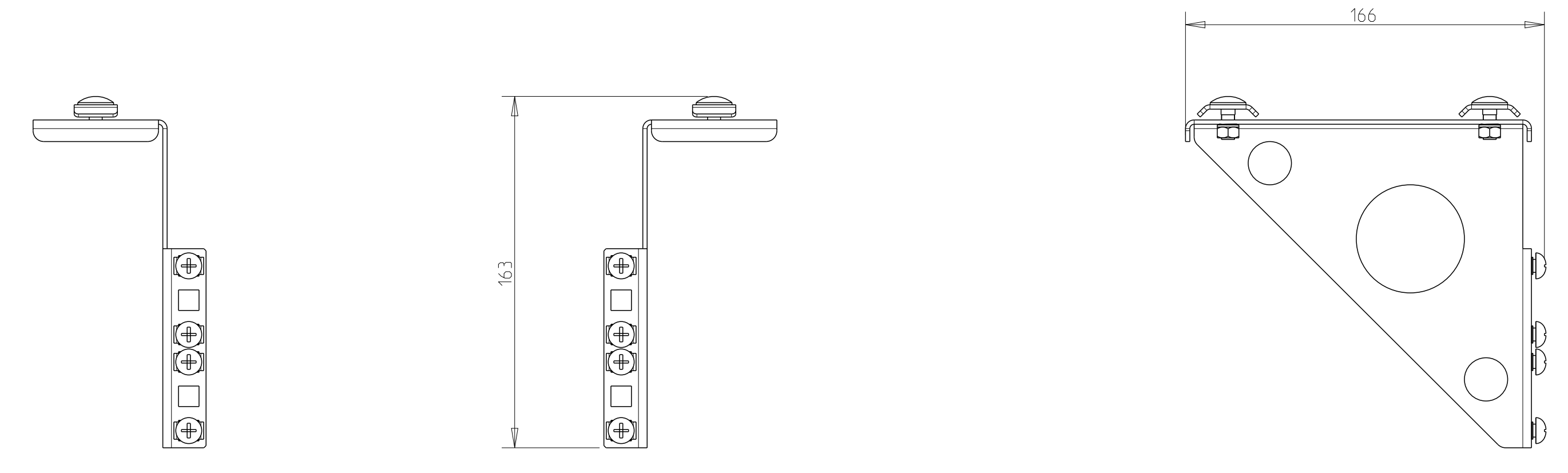


1-1671603-1  
Part N°

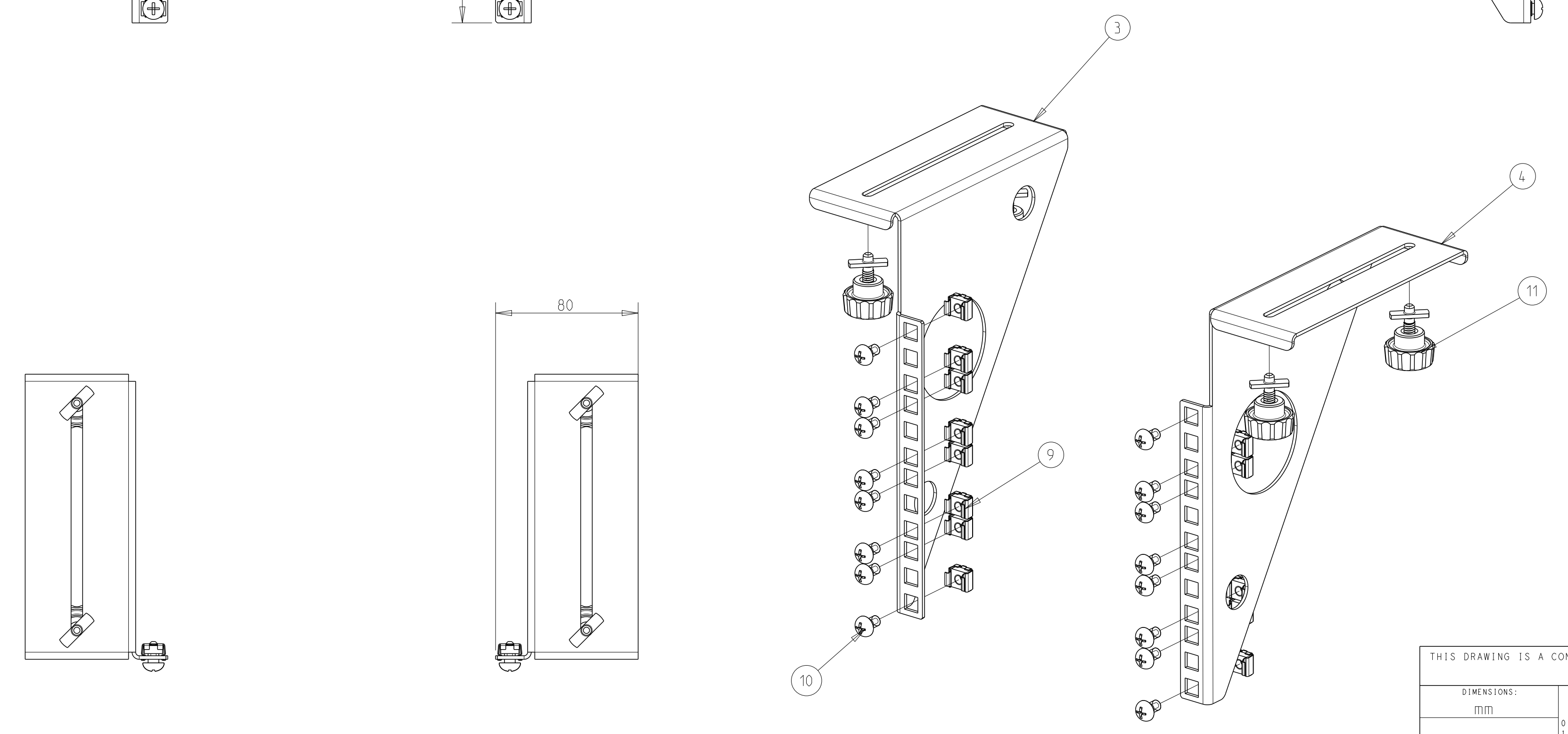
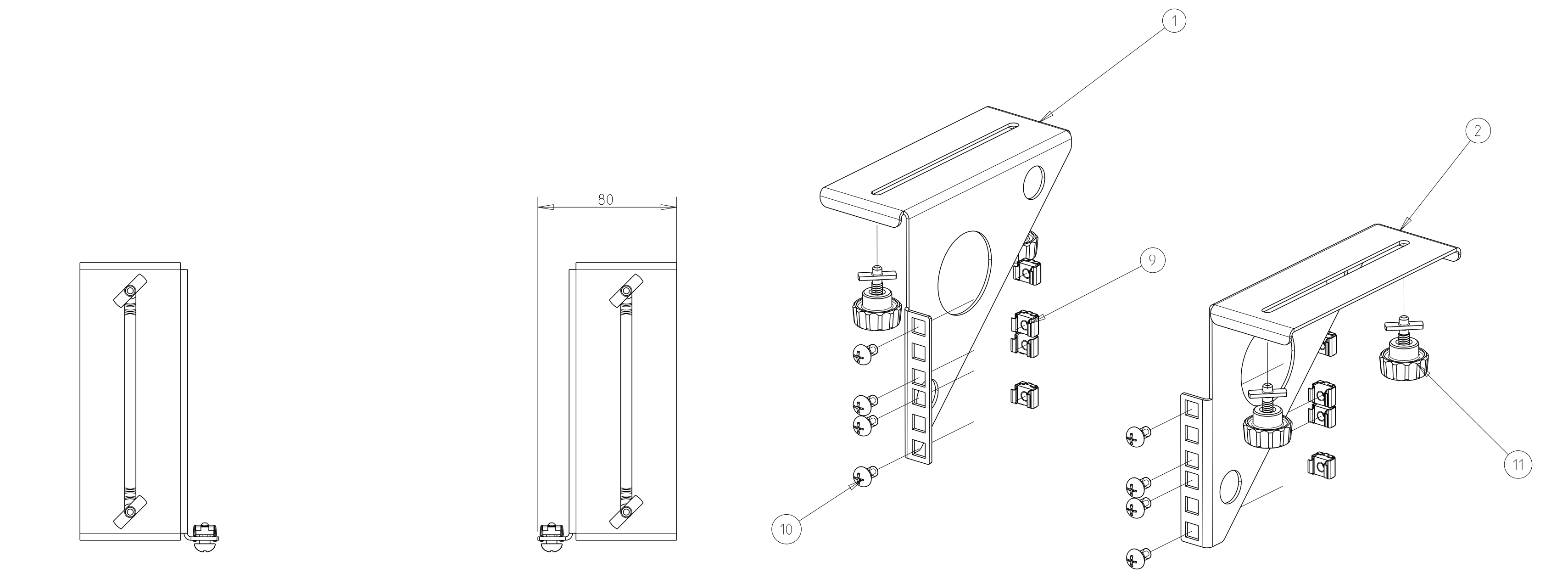
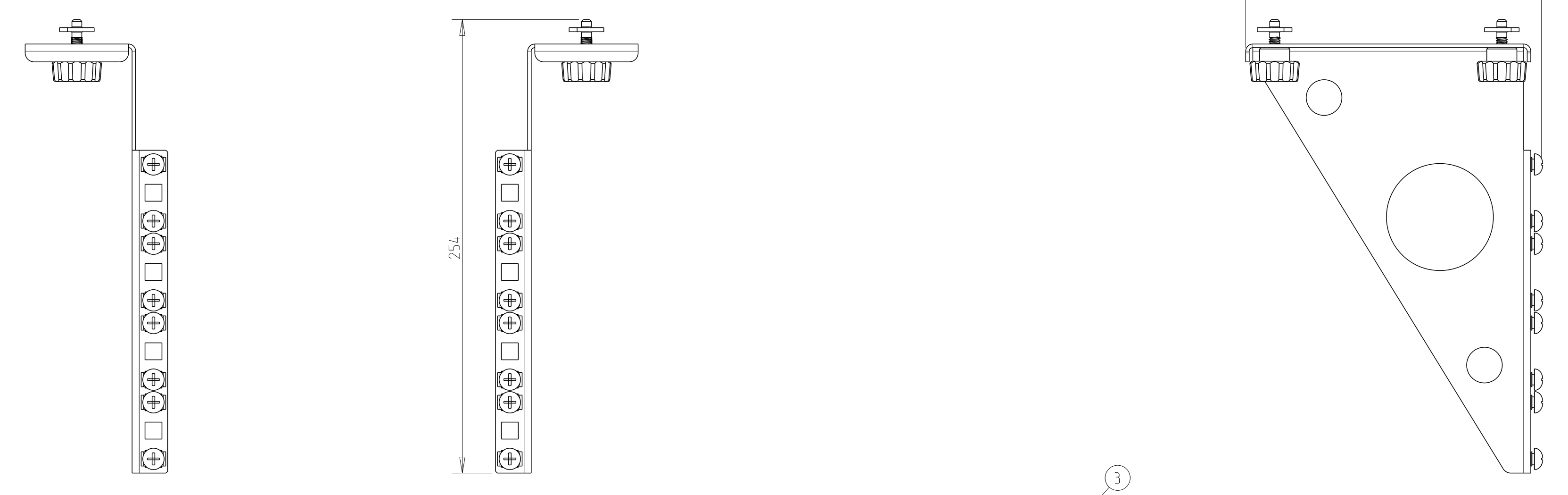
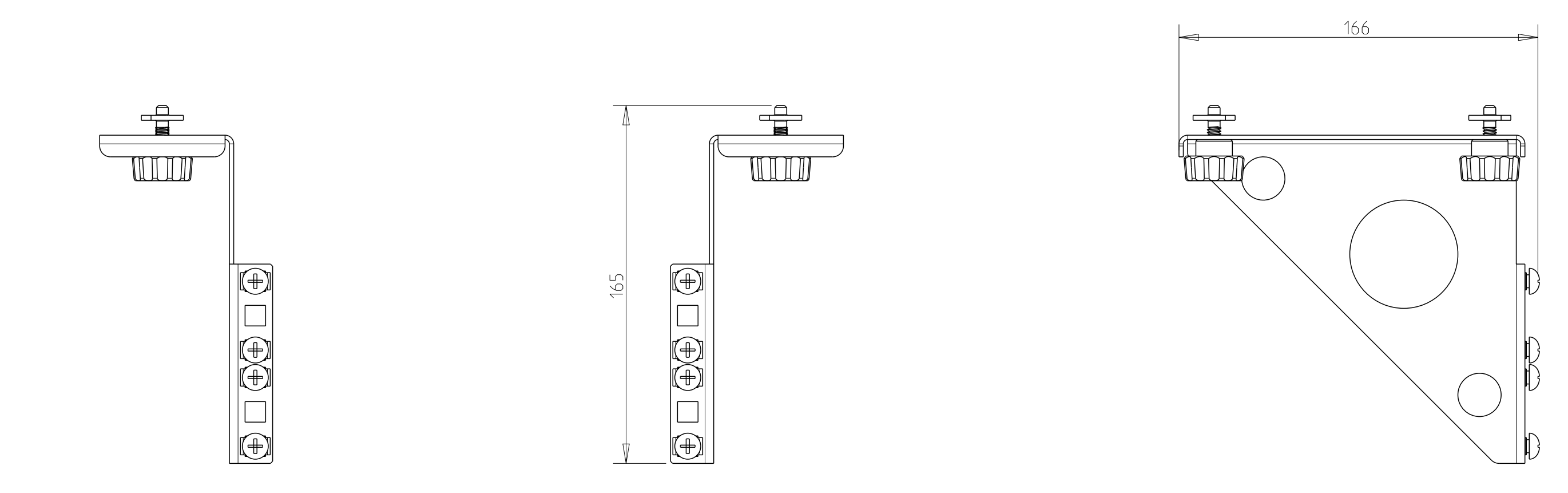
1-1671603-2  
Part N°

LOC	DIST	REV	DESCRIPTION	DATE	BY	APPD
A1	-	B	ECR-13-002799	28FEB2013	ADV	HB



1-1671603-3  
Part N°

1-1671603-4  
Part N°



QTY	DESCRIPTION	ITEM
4	Quick Knob With T-bolt	11
16	M6x12. Pan Head. Cross. Zinc Plated	10
16	Cage nut M6. 13.2x13.5. 1.7-2.7	9
-	Nut M6	8
-	SCHNORR Locking Disk Spring M6	7
-	M6x1x16. (rh. sn. 4.6 steel, zn ct	6
-	Xtra-U Locking Item ADH for WMC1	5
1	4HU Xtra-U Aerial Holder Right	4
1	4HU Xtra-U Aerial Holder Left	3
-	2HU Xtra-U Aerial Holder Right	2
-	2HU Xtra-U Aerial Holder Left	1

THIS DRAWING IS A CONTROLLED DOCUMENT. DATE: 28FEB2013  
 DIMENSIONS: INCHES UNLESS OTHERWISE SPECIFIED. DATE: 28FEB2013  
 DRAWN BY: W. DE VRIES  
 CHECKED BY: H. BLEUIS  
 APPROVED BY: H. BLEUIS  
 PRODUCT SPEC: Xtra-U Aerial Holder Kit  
 APPLICATION SPEC: -  
 MATERIAL: -  
 FINISH: -  
 CUSTOMER DRAWING: A0 00779 ©=1671603  
 SCALE: 0.500 SHEET 1 OF 1 REV B