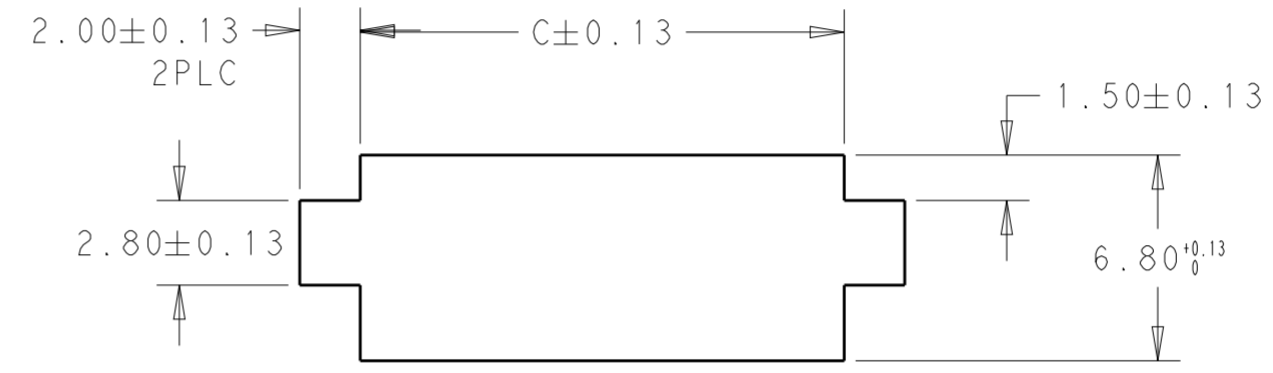
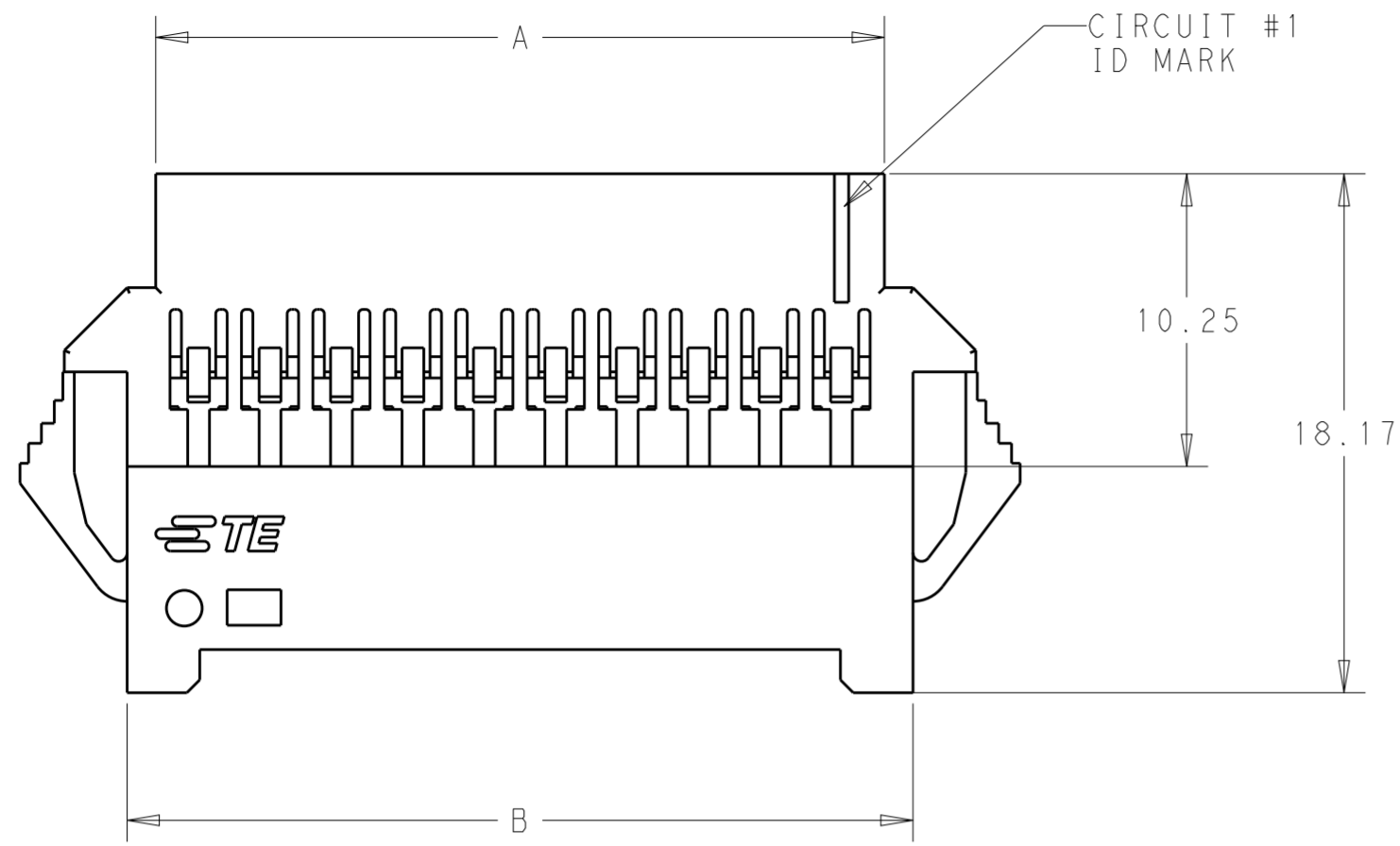
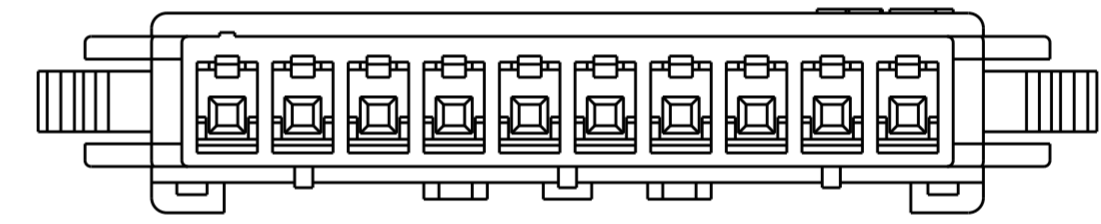
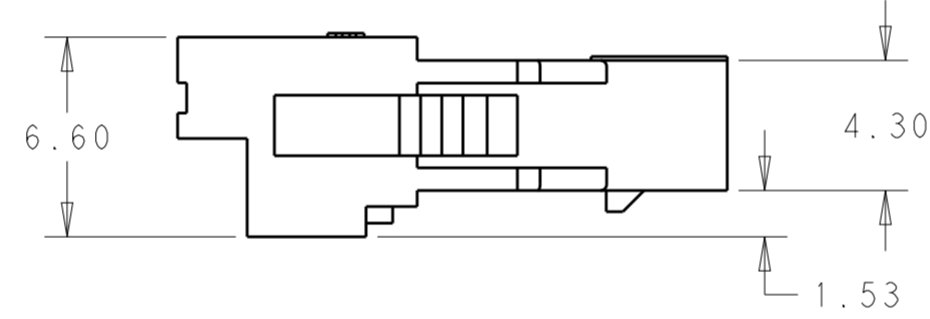
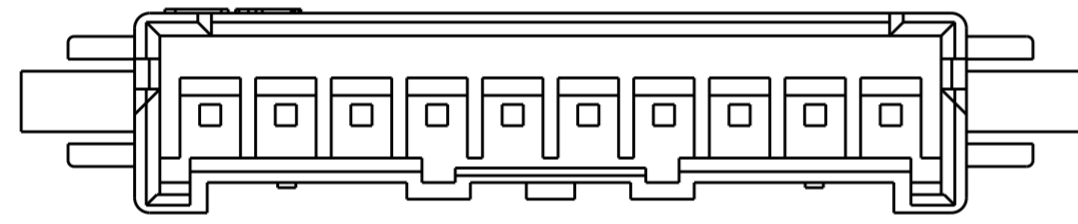


THIS DRAWING IS UNPUBLISHED. RELEASED FOR PUBLICATION 20  
 © COPYRIGHT 20 BY - ALL RIGHTS RESERVED.

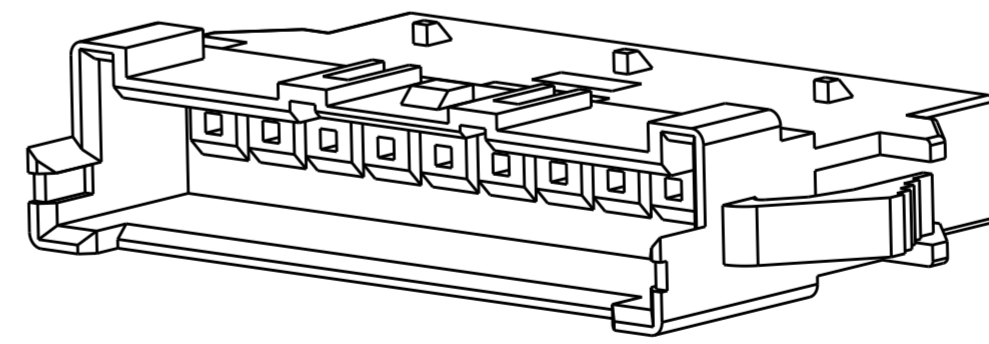
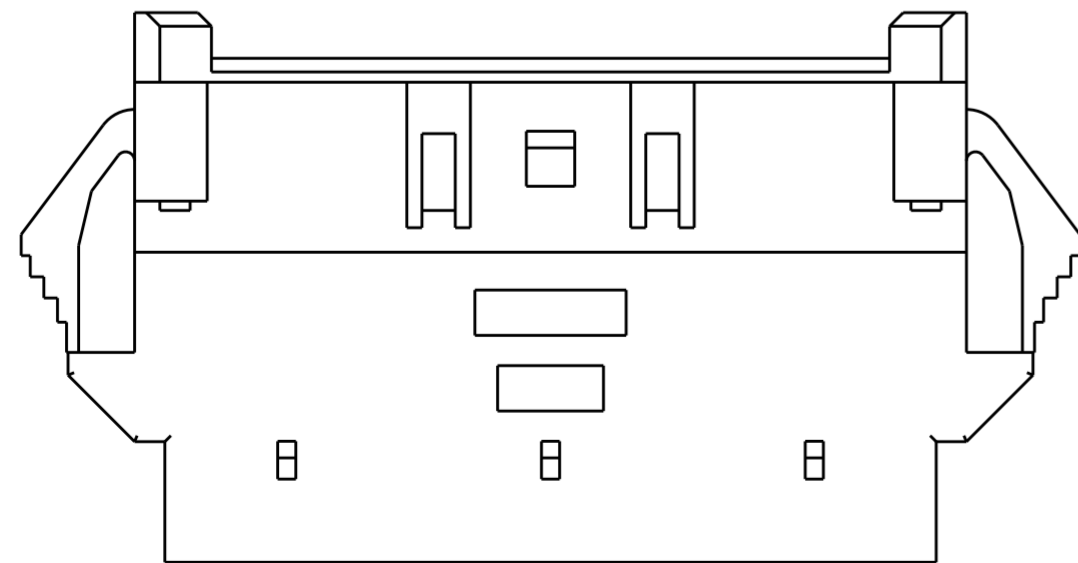
LOC		DIST		REVISIONS			
P	LTR	DESCRIPTION	DATE	DWN	APVD		
	A	RELEASED PER ECO-14-004608	27MAR14	JR	KR		



1. MATERIAL: NYLON UL94 - V0  
COLOR: WHITE
2. ACCEPTS TE PIN CONTACTS  
P/N'S 2238007-( )
3. HOUSING ACCEPTS OPTIONAL TPA  
P/N'S 1969443-( )
4. MATES WITH TE PLUG HOUSINGS  
P/N'S 1969442-( )



6 TO 15 POSITION  
 1744501-6 TO 1-1744501-5



POS	DIM.C	DIM.B	DIM.A	PART NO.
15	41.00	40.00	38.00	1-1969590-5
14	38.50	37.50	35.50	1-1969590-4
13	34.00	35.00	33.00	1-1969590-3
12	33.50	32.50	30.50	1-1969590-2
11	31.00	30.00	28.00	1-1969590-1
10	28.50	27.50	25.50	1-1969590-0
9	26.00	25.00	23.00	1969590-9
8	23.50	22.50	20.50	1969590-8
7	21.00	20.00	18.00	1969590-7
6	18.50	17.50	15.50	1969590-6
5	16.00	15.00	13.00	1969590-5
4	13.50	12.50	10.50	1969590-4
3	11.00	10.00	8.00	1969590-3
2	8.50	7.50	5.50	1969590-2

THIS DRAWING IS A CONTROLLED DOCUMENT.

DIMENSIONS:	TOLERANCES UNLESS OTHERWISE SPECIFIED:	DWN	28SEP2012
mm	0 PLC ±	CHK	A. NOEL 01OCT2012
	1 PLC ±	APVD	K. RANDOLPH 01OCT2012
	2 PLC ±0.20	PRODUCT SPEC	108-2418
	3 PLC ±	APPLICATION SPEC	114-13315
	4 PLC ±	WEIGHT	-
	ANGLES ±		
	FINISH ±		
MATERIAL	SEE TABLE	Customer Drawing	

STE TE Connectivity

ECONOMY POWER 2.5, HOUSING  
 WIRE TO WIRE, WITH PANEL MOUNTS

SIZE	CAGE CODE	DRAWING NO	RESTRICTED TO
A200779	C-1969590		-

SCALE 4:1 SHEET 1 OF 2 REV A

4

3

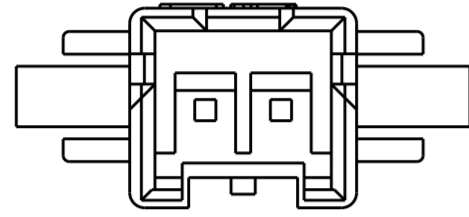
2

1

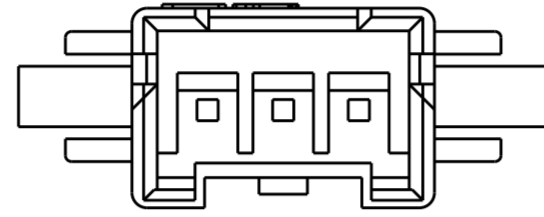
THIS DRAWING IS UNPUBLISHED. RELEASED FOR PUBLICATION 20  
 © COPYRIGHT 20 BY - ALL RIGHTS RESERVED.

LOC		DIST		REVISIONS			
P	LTR	DESCRIPTION	DATE	DWN	APVD		
-	-	SEE SHEET 1	-	-	-		

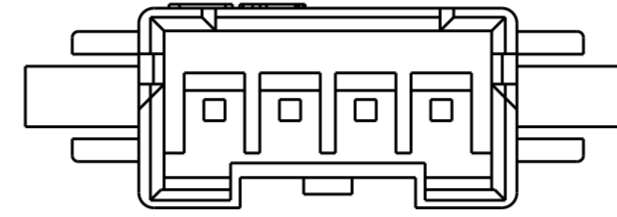
2 POSITION  
1969590-2



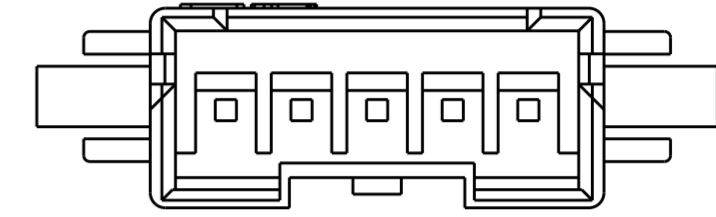
3 POSITION  
1969590-3




4 POSITION  
1969590-4



5 POSITION  
1969590-5



THIS DRAWING IS A CONTROLLED DOCUMENT.		DWN A NOEL 28SEP2012	 TE Connectivity	
DIMENSIONS: mm		CHK K RANDOLPH 01OCT2012		
TOLERANCES UNLESS OTHERWISE SPECIFIED:		APVD K RANDOLPH 01OCT2012		
0 PLC ± 1 PLC ± 2 PLC ±0.20 3 PLC ± 4 PLC ± ANGLES ± FINISH		PRODUCT SPEC 108-2418 APPLICATION SPEC 114-13315 WEIGHT -		
MATERIAL SEE TABLE		NAME ECONOMY POWER 2.5, HOUSING WIRE TO WIRE, WITH PANEL MOUNTS		RESTRICTED TO -
SEE TABLE		SIZE A200779		DRAWING NO C-1969590
SEE TABLE		SCALE 4:1		SHEET 2 OF 2 REV A
Customer Drawing				