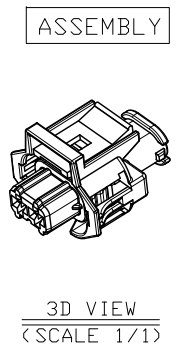
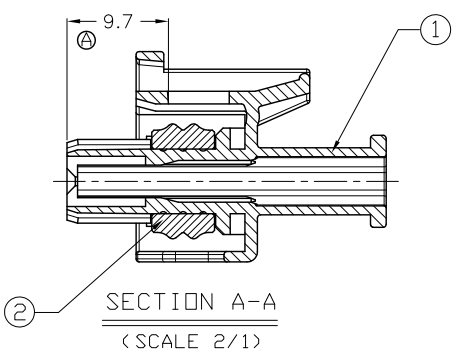
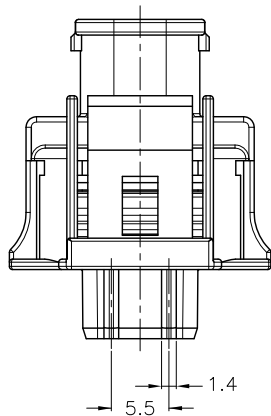
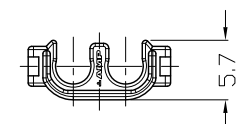
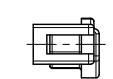
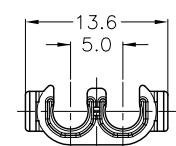
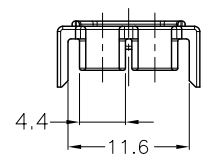


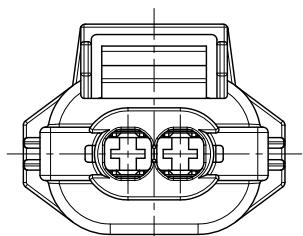
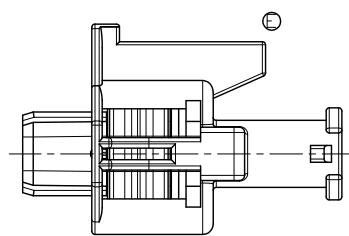
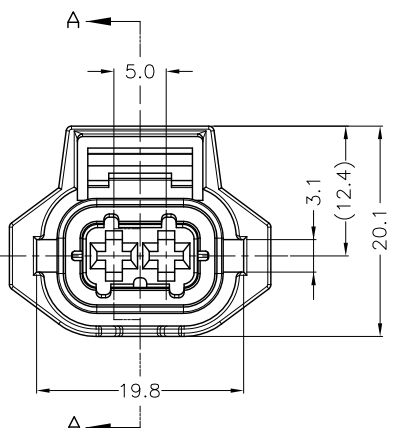
LOC	DIST	REVISIONS					
DS	-	P	LTR	DESCRIPTION	DATE	DWN	APVD
		D		REVISED<ECR-05-016169>	06, OCT, '05	YD.	JK
		E		REVISED<ECR-06-022709>	30, JUN, '06	IS	JK
		F		REVISED<ECR-07-000190>	04, JAN, '07	IS	JK
		F1		REVISED<ECR-11-008995>	28, APR, '11	YM	HG
		G		REVISED<ECR-12-013083>	18, JUN, '12	JM	HG



ACCESSORIES DRAWING  
 1. DBL HSG : P/N:936103-1  
 SCALE : 2/1

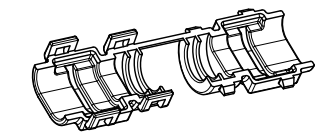


NOTE;  
 1) MATERIAL : PBT, COLOR : YELLOW

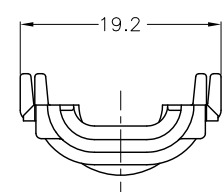
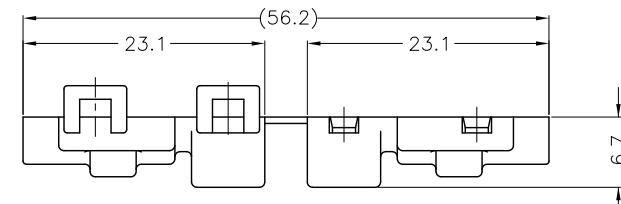


2 COVER HSG : P/N:936111-1  
 SCALE : 2/1

NOTE;  
 1) MATERIAL : NYLON 66, COLOR : BLACK  
 2) CORRUGATOR DIAMETER : Ø7.0



3D VIEW<SCALE 1:1>

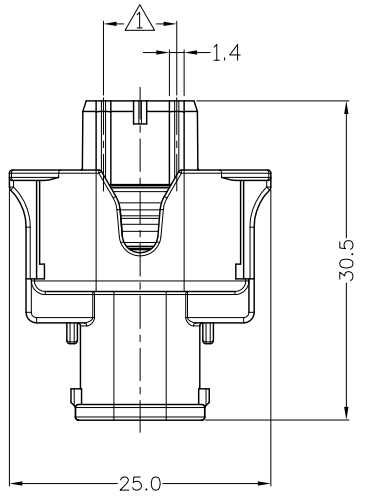


4. APPLIED RECEPTACLE CONTACT P/N:

DESCRIPTION	2.8mm SENSOR-FLAT RECEPTACLE	
Part NO.	967542	967543
WIRE SIZE<mm <sup>2</sup> >	0.5 ~ 1.0	1.25 ~ 2.5

5. APPLIED WIRE SEAL P/N:

DESCRIPTION	SINGLE-WIRE SEAL<5mm Hole>	
Part NO.	828904	828905
INSULATION DIA.<Ø>	1.2 ~ 2.1mm	2.2 ~ 3.0mm



(TABLE 1)

CODE I : 0-936059-1	CODE II : 1-936059-1 CODE II : 1-936059-3
CODE III : 2-936059-1	CODE IV : 3-936059-1

Q' TY	COLOR	MATERIAL	DESCRIPTION	P/N	NO
1	SIGNAL GRAY	SILICON<LSR>	INNER SEAL	936800-3	2
1	ULTRAMARINE BLUE	SILICON	INNER SEAL	936800-2	2
1	RED ORANGE	SILICON	INNER SEAL	936800-1	2
1	BLACK	PA 66 GF15	PLUG HSG	3-936102-1	1
1	BLACK	PA 66 GF15	PLUG HSG	2-936102-1	1
1	DARK GRAY	PA 66 GF15	PLUG HSG	1-936102-3	1
1	BLACK	PA 66 GF15	PLUG HSG	1-936102-1	1
1	BLACK	PA 66 GF15	PLUG HSG	936102-1	1

NOTE;  
 1. CODING IS AS FOLLOWS; SEE TABLE 1.  
 2. 0.15 MAX. WARPAGE AND 0.2 MAX. FLASH ARE PERMISSIBLE  
 3. SURFACE DEFECTS ARE NOT ACCEPTABLE AS FOLLOWS: SINK, WELD LINES, HAIRCRACKS, STAINS & SCORES

THIS DRAWING IS A CONTROLLED DOCUMENT FOR TYCO ELECTRONICS CORPORATION. IT IS SUBJECT TO CHANGE AND THE CONTROLLING ENGINEERING ORGANIZATION SHOULD BE CONTACTED FOR THE LATEST REVISION.

ASSEMBLY P/N: 3-936059-1, 2-936059-1, 1-936059-3, 1-936059-1, 936059-2, 936059-1

TE connectivity  
 2.8mm SEALED 2P PLUG ASSEMBLY (FLAT SENSOR CONNECTOR)

114-18144  
 200779  
 936059

CUSTOMER DRAWING SCALE 2/1 SHEET 1 OF 1 REV G