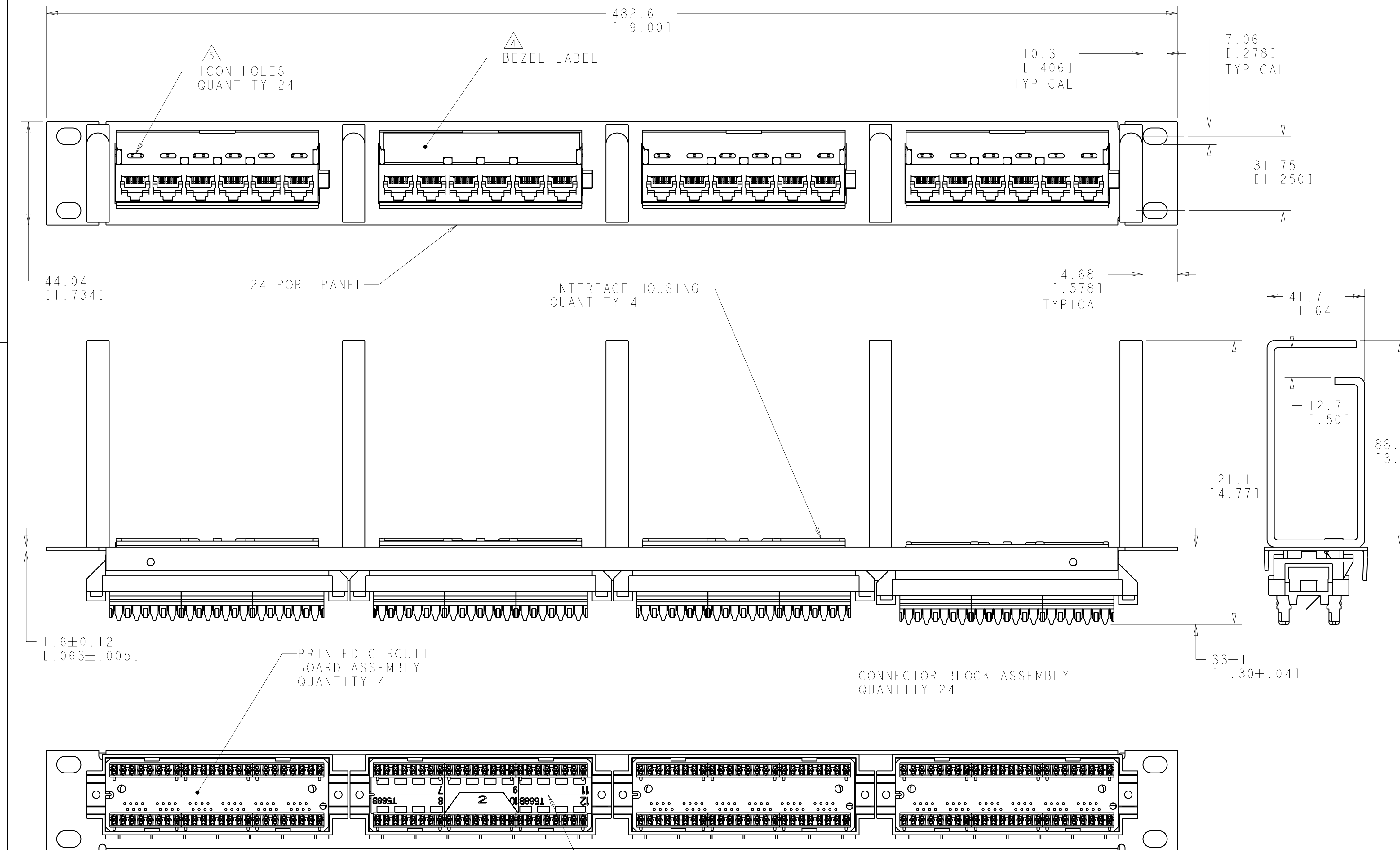
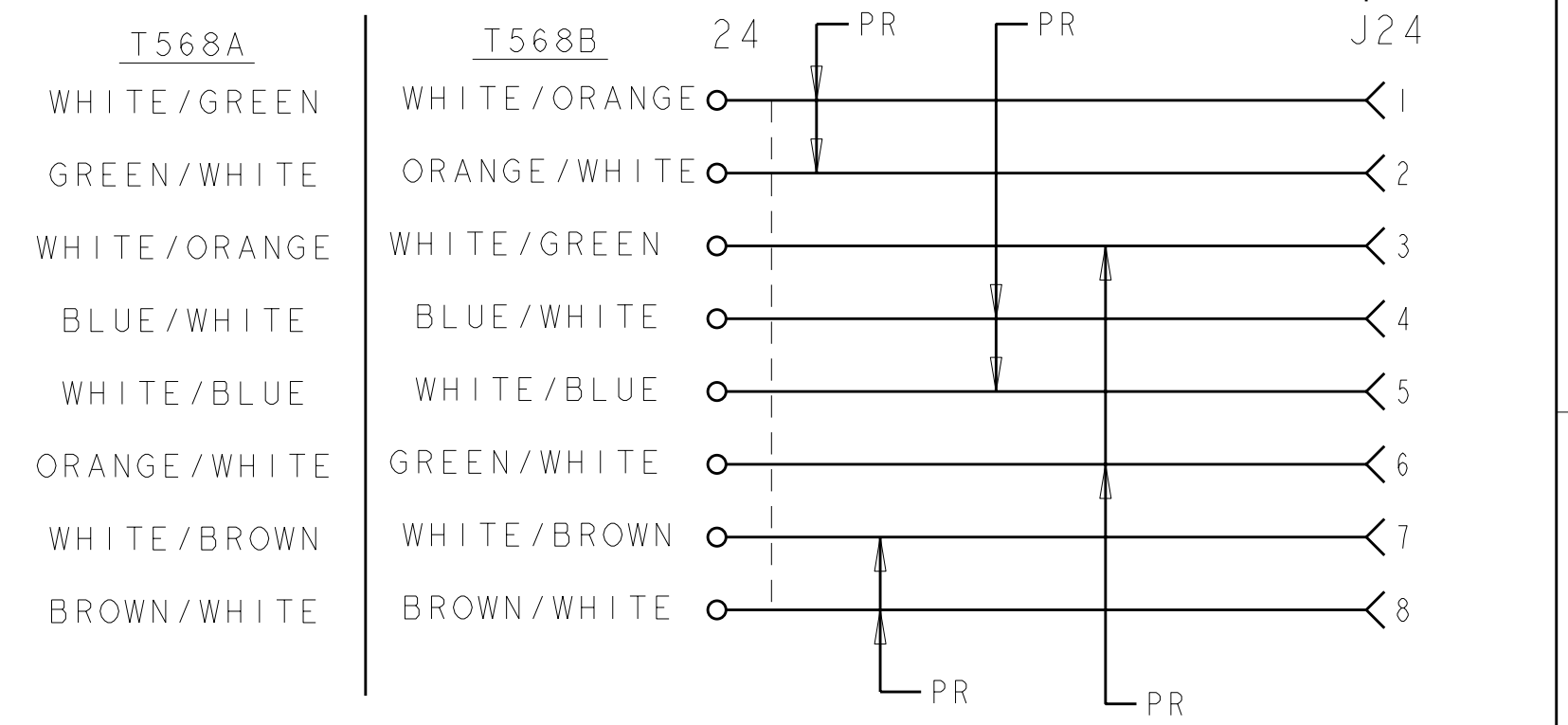
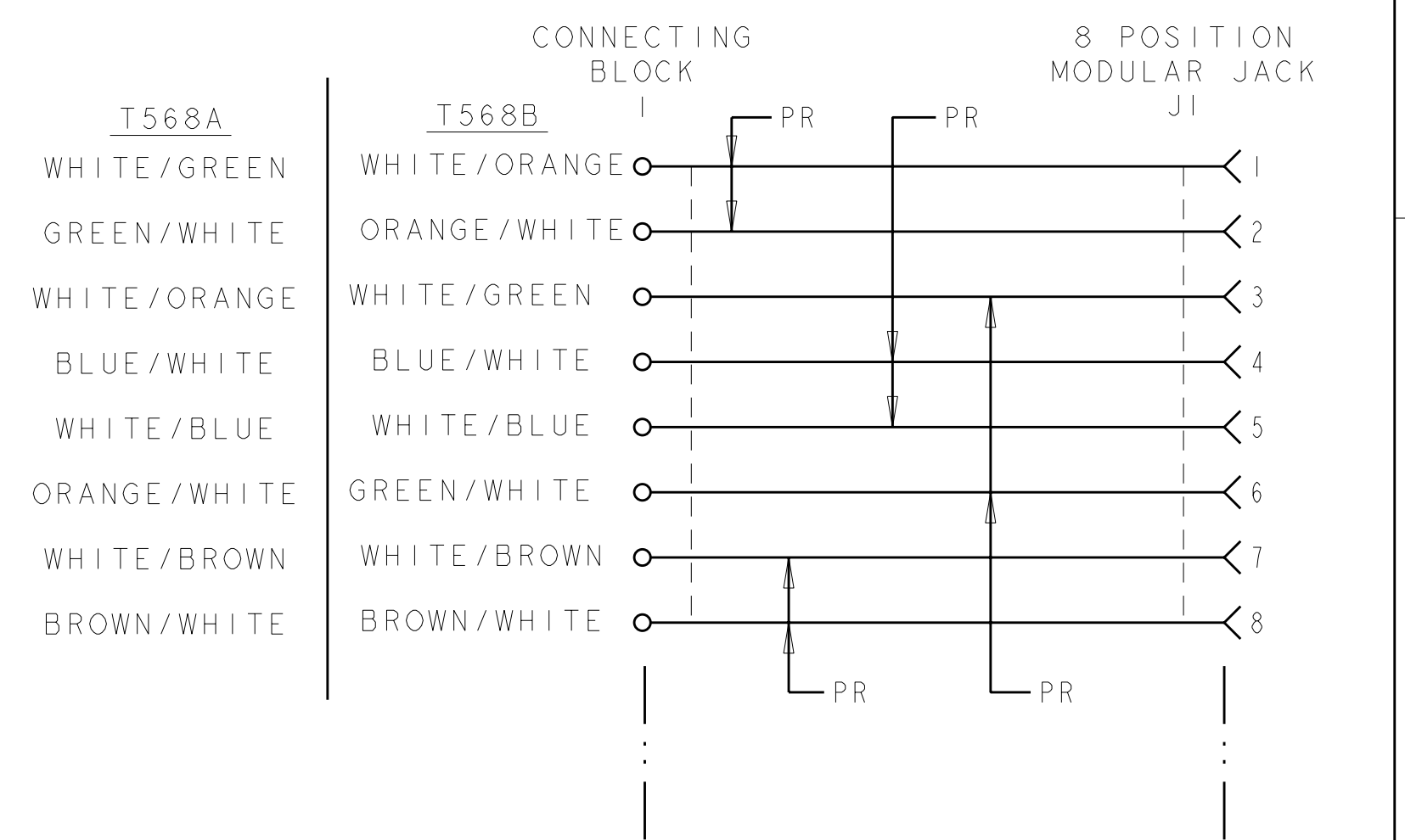


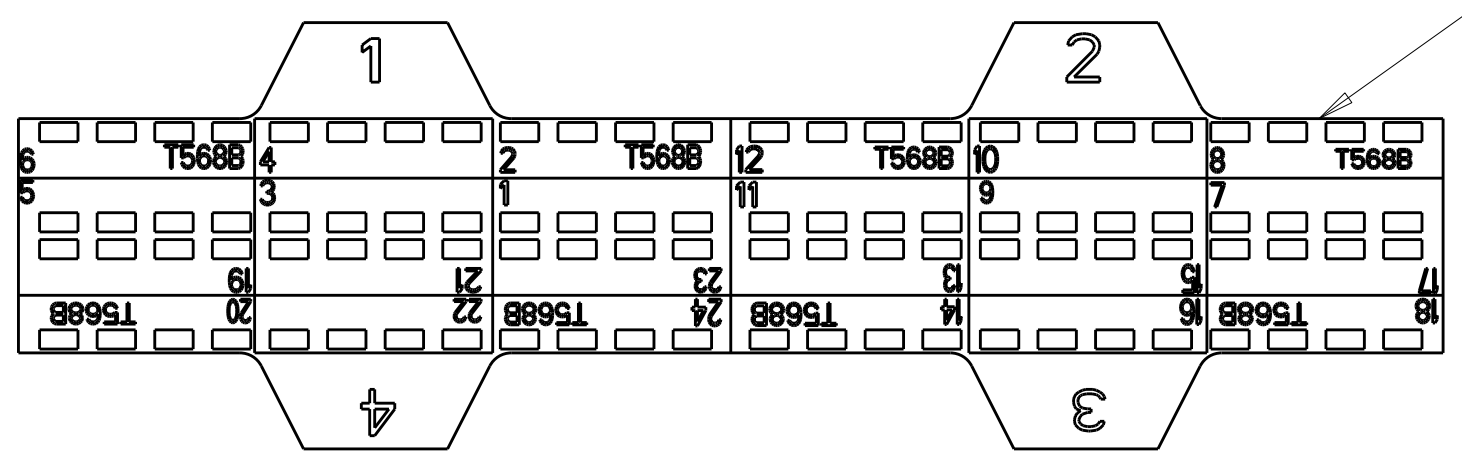
LOC	DIST	REVISIONS			
HM	00	REV	DATE	BY	APPD
		O	RLSD: NPR NSD02-030	05APR02	GG SH
		A	REV-EC 0840-0033-03	31JAN03	LH SH
		B	REV. ECO-08-012437	30MAY08	JB SH



- 1. MATERIAL: 24 PORT PANEL - BLACK POWDER COAT, CARBON STEEL.  
 PC BOARD - COPPER CLAD LAMINATED SUBSTRATE.  
 MOD JACKS AND INTERFACE HOUSINGS - BLACK POLYESTER.
- 2. DIMENSIONS ARE NOMINAL UNLESS OTHERWISE SPECIFIED.
- 3. FOUR WIRE TIES USED FOR CABLE ORGANIZATION/ROUTING ARE SHIPPED LOOSE AND NOT SHOWN DRAWING.
- 4. ONE SHEET OF BEZEL LABELS AND ONE SHEET OF CLEAR BEZEL LABEL COVERS ARE SHIPPED LOOSE. ONE LABEL SHOWN INSTALLED AT LOCATION INDICATED. USE BLACK SIDE OF LABEL TO COVER ICON HOLES.
- 5. ICONS MAY BE PURCHASED SEPARATELY.
- 6. ONE SHEET OF FOUR PER SHEET 110 CONNECTOR UNIVERSAL WIRING LABELS ARE SHIPPED LOOSE. ONE SIDE IS FOR T568A WIRING AND THE OPPOSITE SIDE FOR T568B WIRING. ONE LABEL SHOWN INSTALLED AT LOCATION INDICATED.
- 7. MOUNTING HARDWARE INCLUDED EACH ASSEMBLY:  
 FOUR, 10-32 X.50 TRILOBULAR SCREWS W/ CAPTIVE STARWASHER.  
 FOUR, 12-24 X.50 TRILOBULAR SCREWS W/ CAPTIVE STARWASHER.



ELECTRICAL SCHEMATIC  
 T568A OR T568B WIRING  
 1479206-1  
 PART NUMBER



T568B SIDE  
 110 CONNECTOR UNIVERSAL  
 WIRING LABELS

DIMENSIONS: MM [INCHES]		TOLERANCES UNLESS OTHERWISE SPECIFIED:		DWN: S. GARRETT 05APR02		Tyco Electronics Harrisburg, PA 17105-3608	
MATERIAL:		FINISH:		CHK: S. HERNDON 05APR02		NAME: S. HERNDON 05APR02	
9 PLC ±		10 PLC ±		PRODUCT SPEC: -		SIZE: CAGE CODE: DRAWING NO: RESTRICTED TO	
11 PLC ±		12 PLC ±		APPLICATION SPEC: -		A11 00779 C=1479206	
13 PLC ±		14 PLC ±		WEIGHT: -		SCALE: 1:2 SHEET 1 OF 1 REV B	
15 PLC ±		16 PLC ±		CUSTOMER DRAWING			