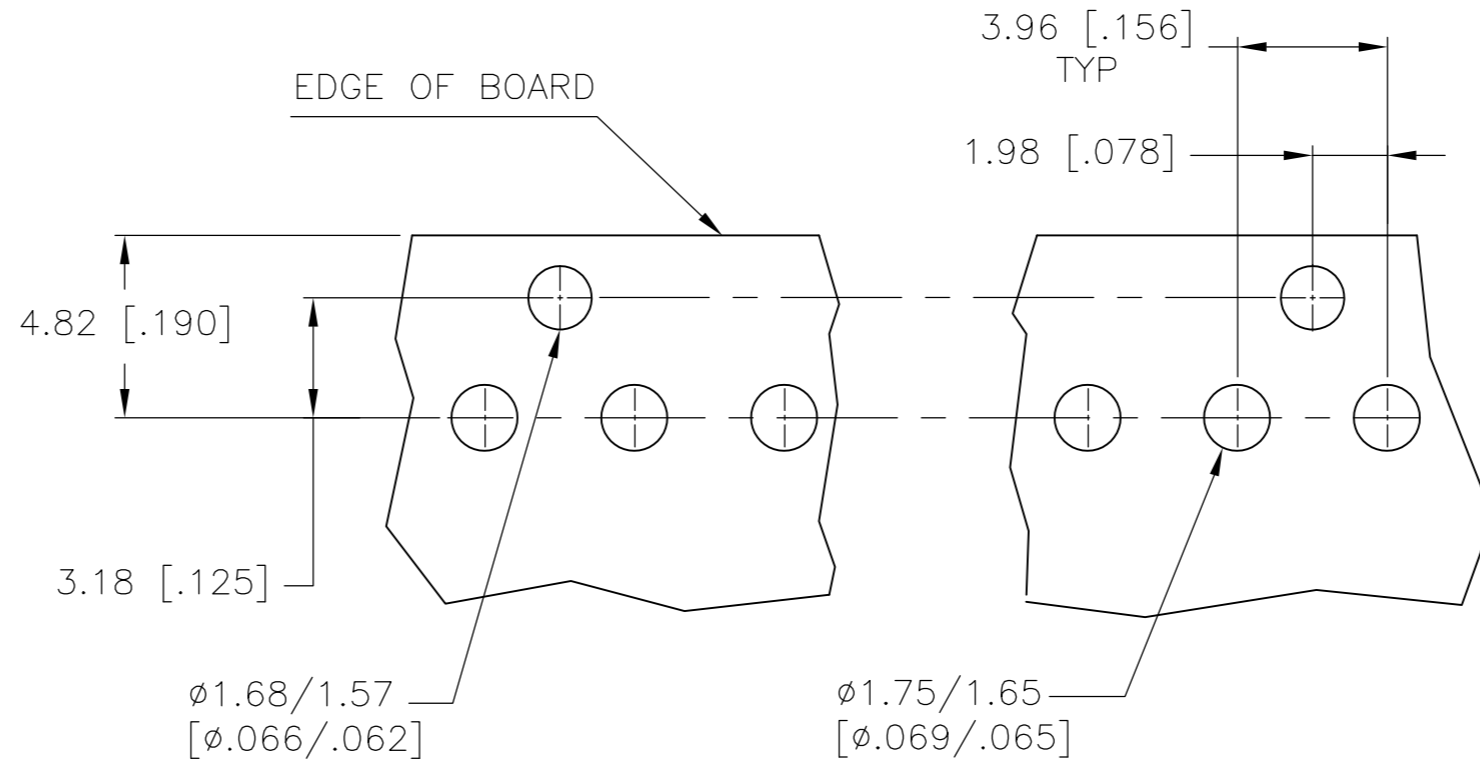
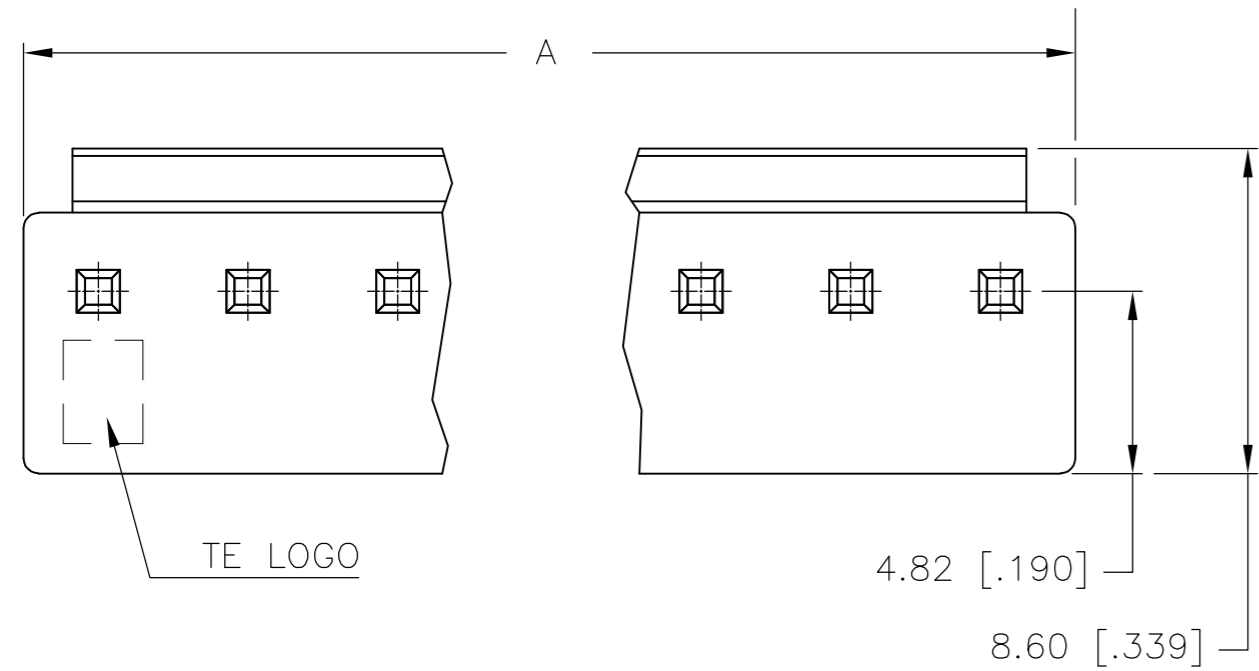


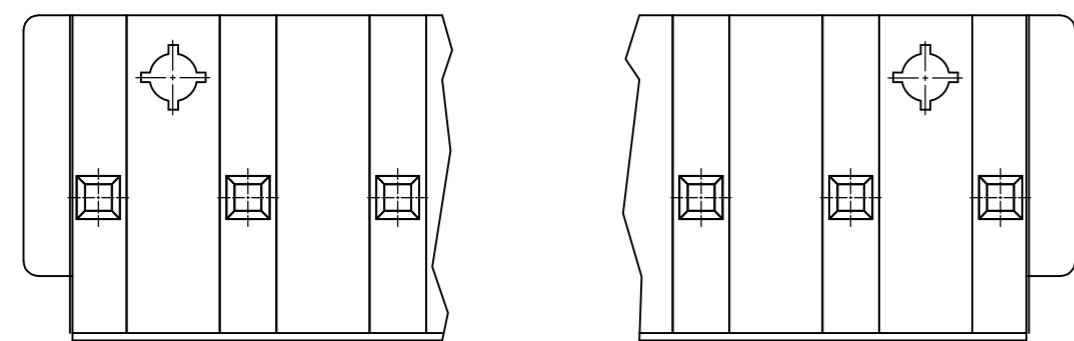
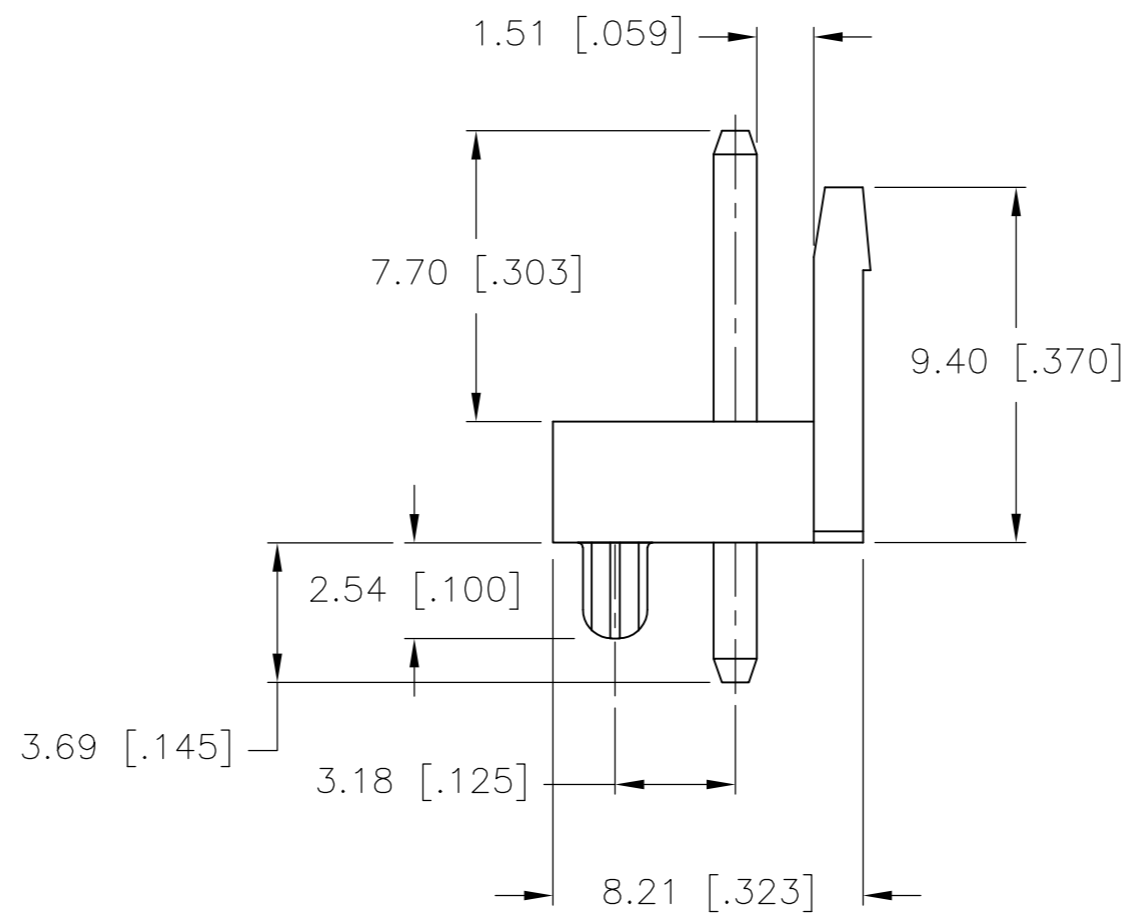
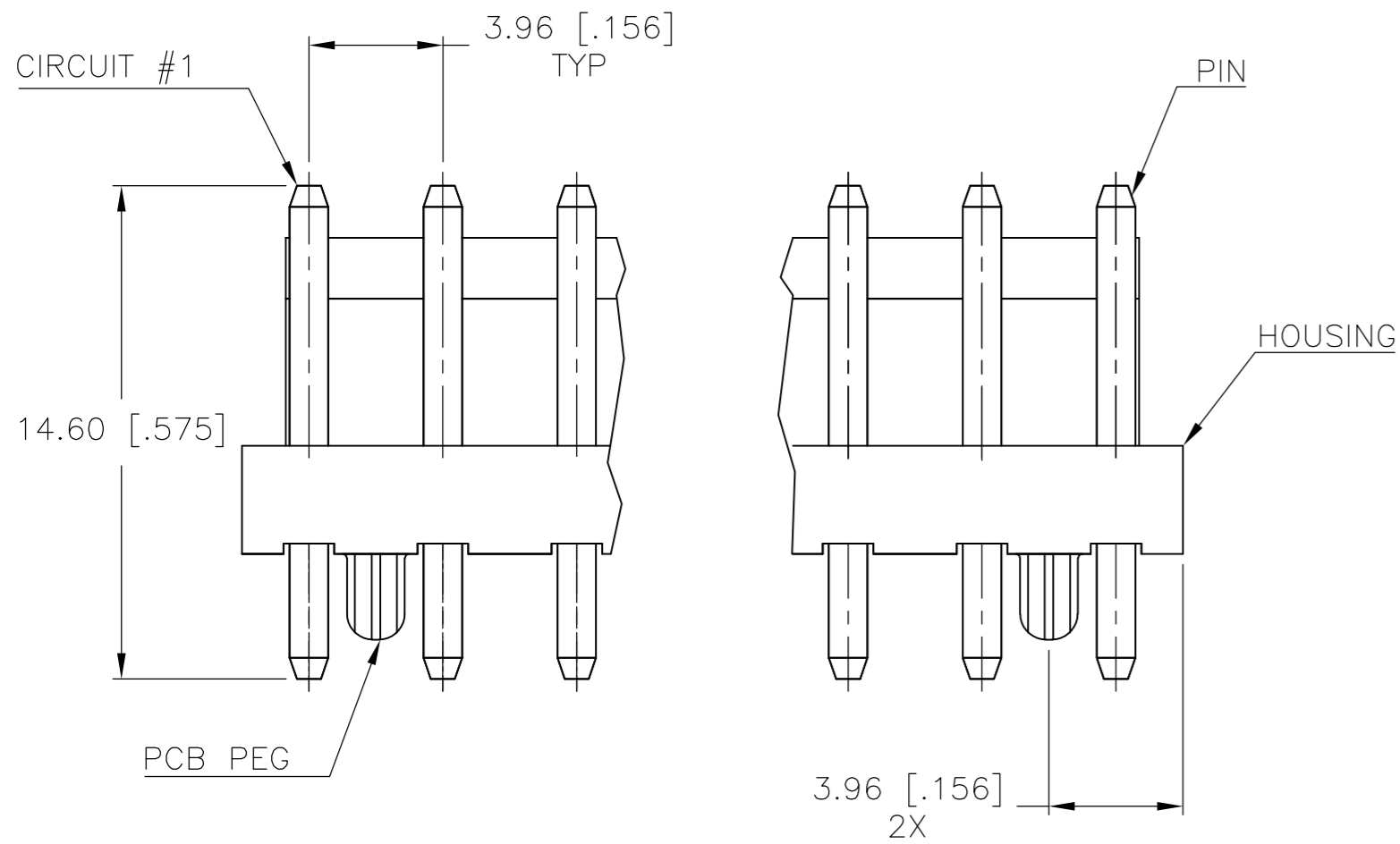
THIS DRAWING IS UNPUBLISHED. RELEASED FOR PUBLICATION
 © COPYRIGHT By - ALL RIGHTS RESERVED.

LOC		DIST		REVISIONS			
P	LTR	DESCRIPTION		DATE	DWN	APVD	
GP	00	C2	REVISED PER ECO-14-018139	02DEC14	JR	TM	



RECOMMENDED MOUNTING HOLE PATTERN FOR 1.60 [.063] THICK PC BOARD

- HOUSING MATERIAL: NYLON, UL94 V0.
- PIN MATERIAL: BRASS.
- PIN PLATING: 0.003 [.000120] MIN TIN OVER 0.001 [.000039] NICKEL.
- 2 POSITION HAS 1 PEG, ALL OTHERS HAVE 2 PEGS.
- COMPLY WITH GLOW WIRE REQUIREMENTS FOR PARTS OF NON-METALLIC MATERIAL SUPPORTING A CURRENT-CARRYING CONNECTION DETAILED IN IEC 60335-1, SECTION 30(GWT).



NO. OF POSITIONS	COLOR	mm	IN	PART NUMBER
		DIM A ±0.30		
9	NATURAL	35.64	[1.403]	1744429-9
8	NATURAL	31.68	[1.247]	1744429-8
7	NATURAL	27.72	[1.091]	1744429-7
6	NATURAL	23.76	[0.935]	1744429-6
5	NATURAL	19.80	[0.780]	1744429-5
4	NATURAL	15.84	[0.624]	1744429-4
3	NATURAL	11.88	[0.468]	1744429-3
2	NATURAL	7.92	[0.312]	1744429-2

THIS DRAWING IS A CONTROLLED DOCUMENT.

DIMENSIONS: mm [INCHES]	TOLERANCES UNLESS OTHERWISE SPECIFIED: 0 PLC ± 1 PLC ± 0.5 [.020] 2 PLC ± 0.30 [.012] 3 PLC ± - 4 PLC ± ANGLES ± FINISH	DWN JR RUTH 09JAN12 CHK SAM MACE 09JAN12 APVD SAM MACE 09JAN12 PRODUCT SPEC 108-5609 APPLICATION SPEC	NAME TE Connectivity HEADER ASSEMBLY-ECONOMY POWER VERTICAL, W/RETENTION PEGS
MATERIAL SEE NOTES	WEIGHT	SIZE A2 CAGE CODE 00779 DRAWING NO. C=1744429	RESTRICTED TO -
CUSTOMER DRAWING		SCALE 5:1	SHEET 1 OF 1 REV C2