

4

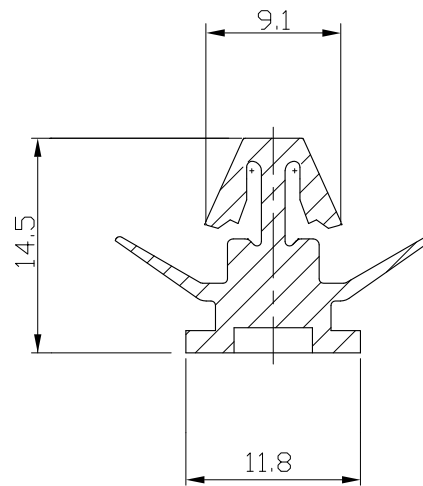
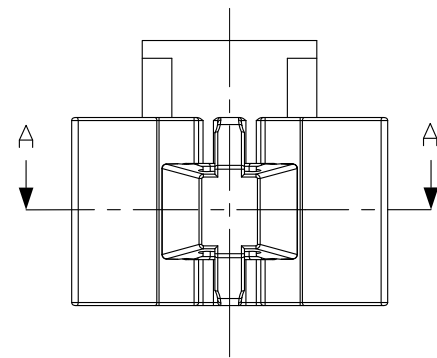
3

2

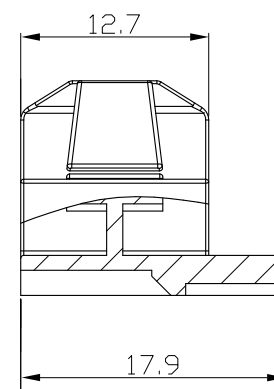
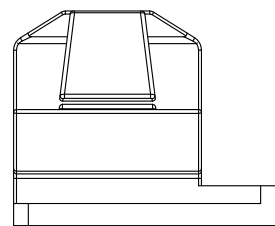
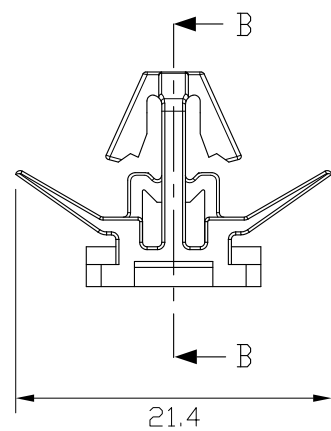
1

THIS DRAWING IS UNPUBLISHED. RELEASED FOR PUBLICATION
© COPYRIGHT BY TYCO ELECTRONICS CORPORATION, ALL RIGHTS RESERVED.

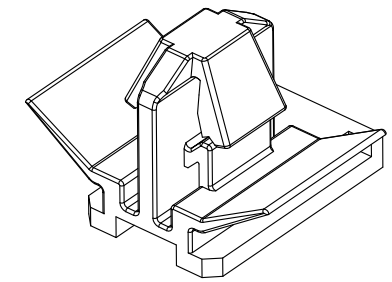
LOC	DIST	REVISIONS					
DS	-	P	LTR	DESCRIPTION	DATE	DWN	APVD
			A	RELEASED	30.JUN'09	SH	JK



SECTION A-A

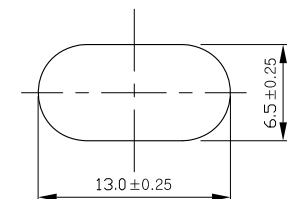


SECTION B-B



ISOMETRIC VIEW

PANEL HOLE



PANEL THICKNESS : 1.5mm

NOTE
1. GENERAL TOLERANCE: ±0.3, ±3°

1897255-2	PA66	BLACK
P/N	MATERIAL	COLOR

<small>THIS DRAWING IS A CONTROLLED DOCUMENT FOR TYCO ELECTRONICS CORPORATION IT IS SUBJECT TO CHANGE AND THE CONTROLLING ENGINEERING ORGANIZATION SHOULD BE CONTACTED FOR THE LATEST REVISION.</small>		DWN SH LEE	Tyco Electronics AMP KOREA, Kyungsan, Korea	
DIMENSIONS: MM		CHK YJ YOUN		
		APVD JK SONG	NAME SLOT CLIP FOR J300	
TOLERANCES UNLESS OTHERWISE SPECIFIED:		PRODUCT SPEC -	SIZE A3	
0 PLC ± 1 PLC ± 2 PLC ± 3 PLC ± 4 PLC ± ANGLES ±		APPLICATION SPEC -	CAGE CODE 00779	DRAWING NO 1897255
MATERIAL SEE TABLE		WEIGHT -	RESTRICTED TO -	
FINISH -		CUSTOMER DRAWING		SCALE 2:1 SHEET 1 OF 1 REV A