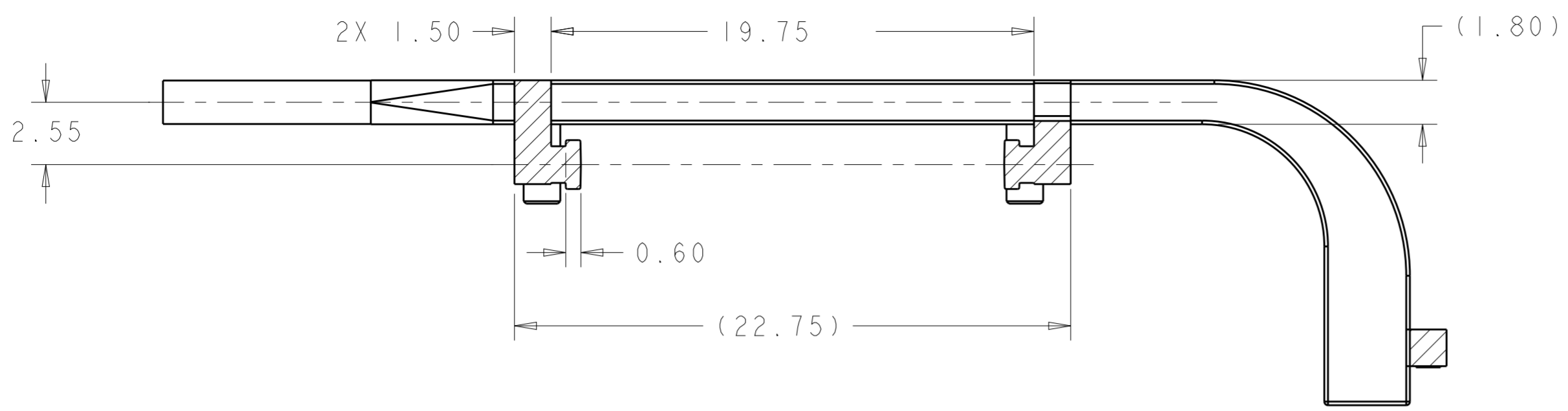


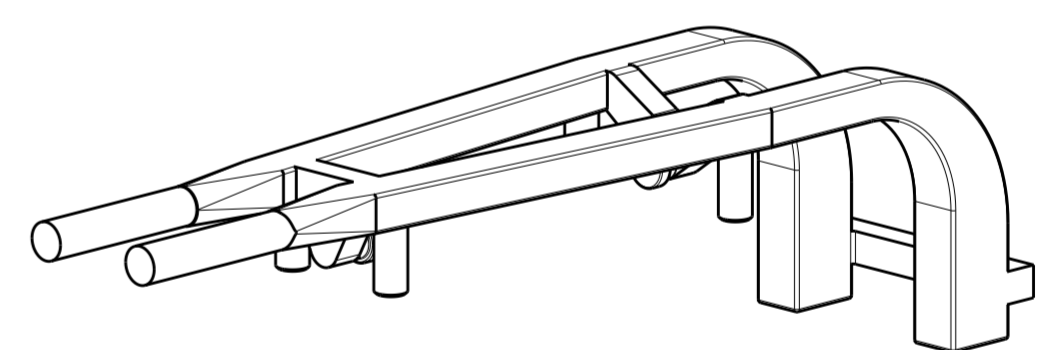
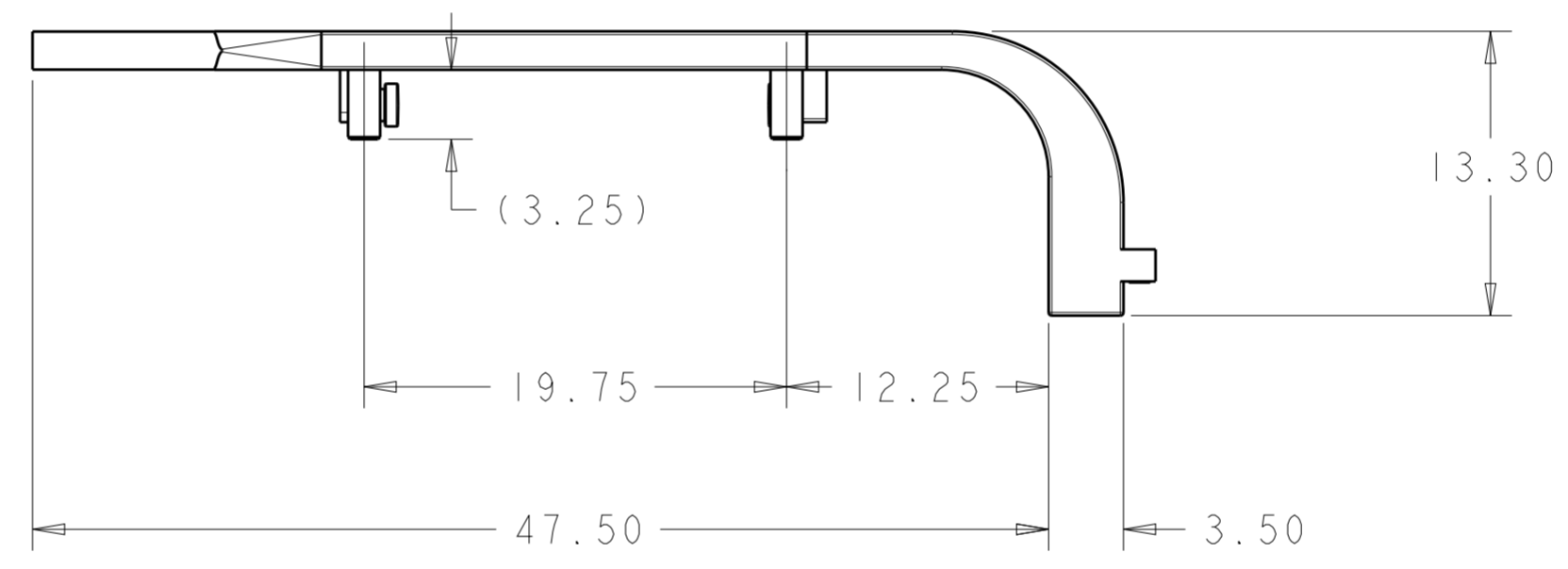
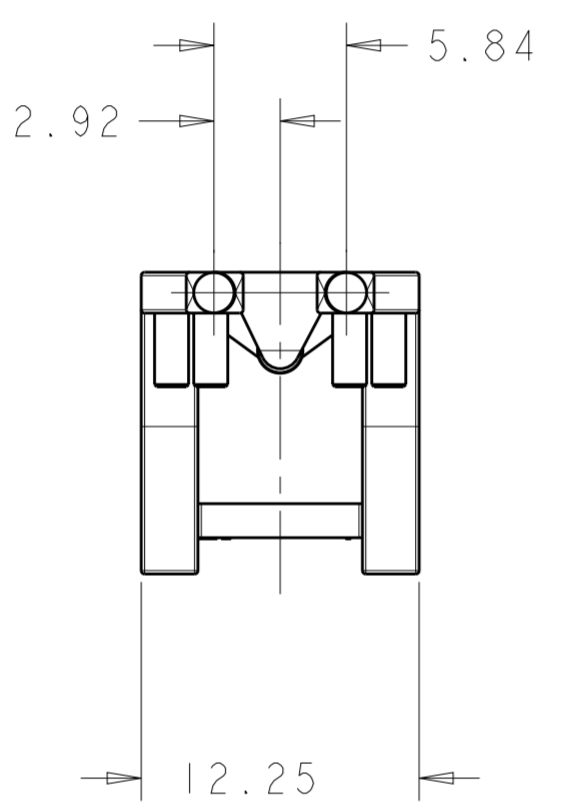
THIS DRAWING IS UNPUBLISHED. RELEASED FOR PUBLICATION  
 © COPYRIGHT copyright.dBTe- ALL RIGHTS RESERVED.

LOC		DIST		REVISIONS			
P	LTR	DESCRIPTION	DATE	DWN	APVD		
	1	INITIAL	256AUG2014	PP	SH		

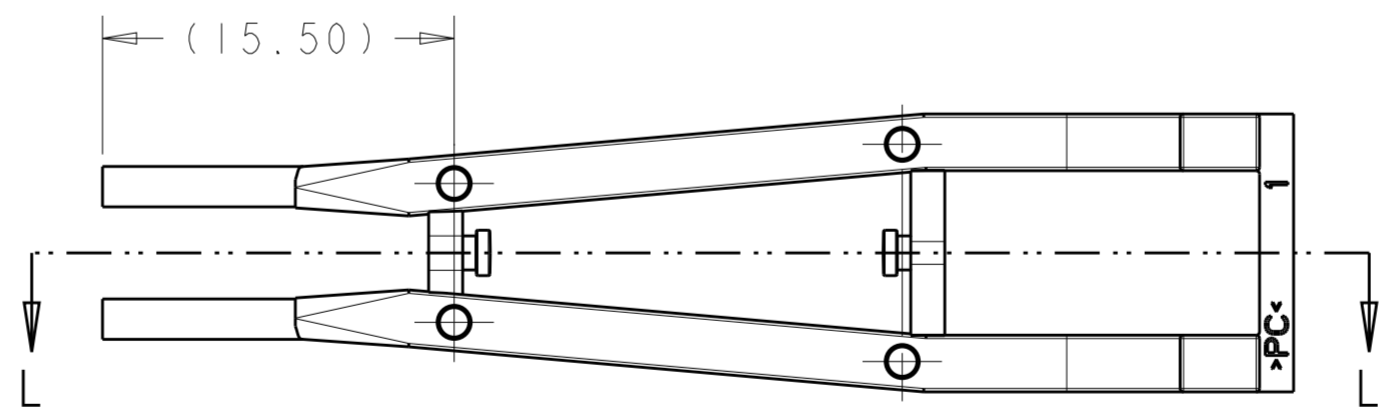


1. MATERIAL: POLYCARBONATE

SECTION L-L  
SCALE 5:1



2057500-1



2057500-1  
PART NUMBER

THIS DRAWING IS A CONTROLLED DOCUMENT.		DWN	26AUG2014	PETER PAN	
DIMENSIONS:		CHK	26AUG2014	SEAN HAN	
mm		APVD	26AUG2014	SEAN HAN	
TOLERANCES UNLESS OTHERWISE SPECIFIED:		NAME			
0 PLC	± -	PRODUCT SPEC			
1 PLC	± 0.25	APPLICATION SPEC			
2 PLC	± 0.20	SIZE			
3 PLC	± 0.15	CAGE CODE			
4 PLC	± -	DRAWING NO			
ANGLES	± 5°	RESTRICTED TO			
FINISH	-	A2100779C-2057500			
MATERIAL	-	CUSTOMER DRAWING			
		SCALE		SHEET OF REV	
		3:1			

**STE** TE Connectivity  
**PRELIMINARY**