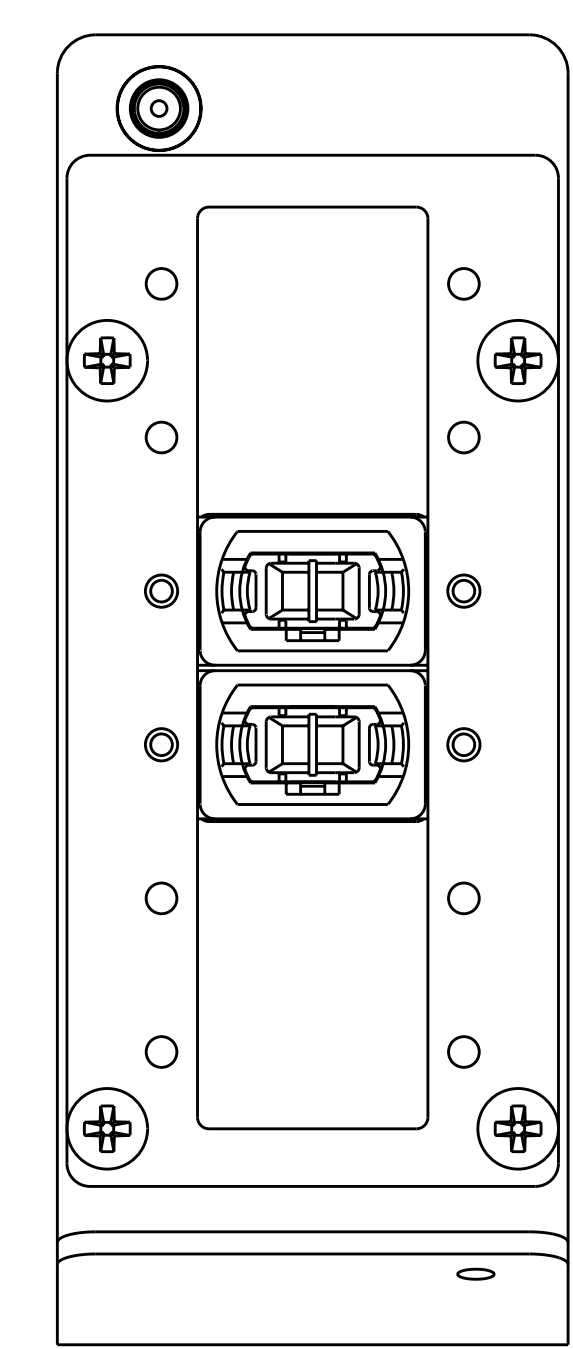
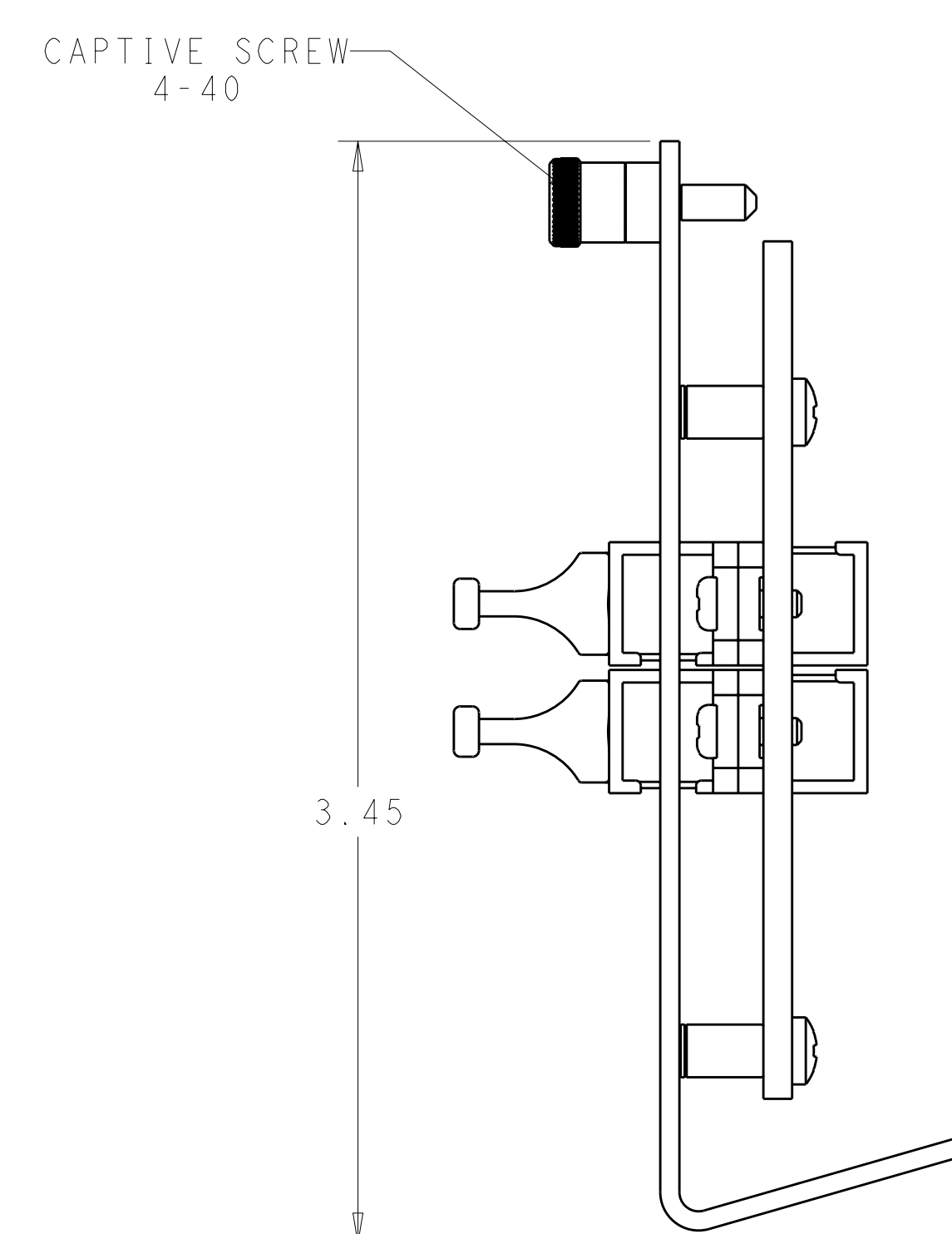
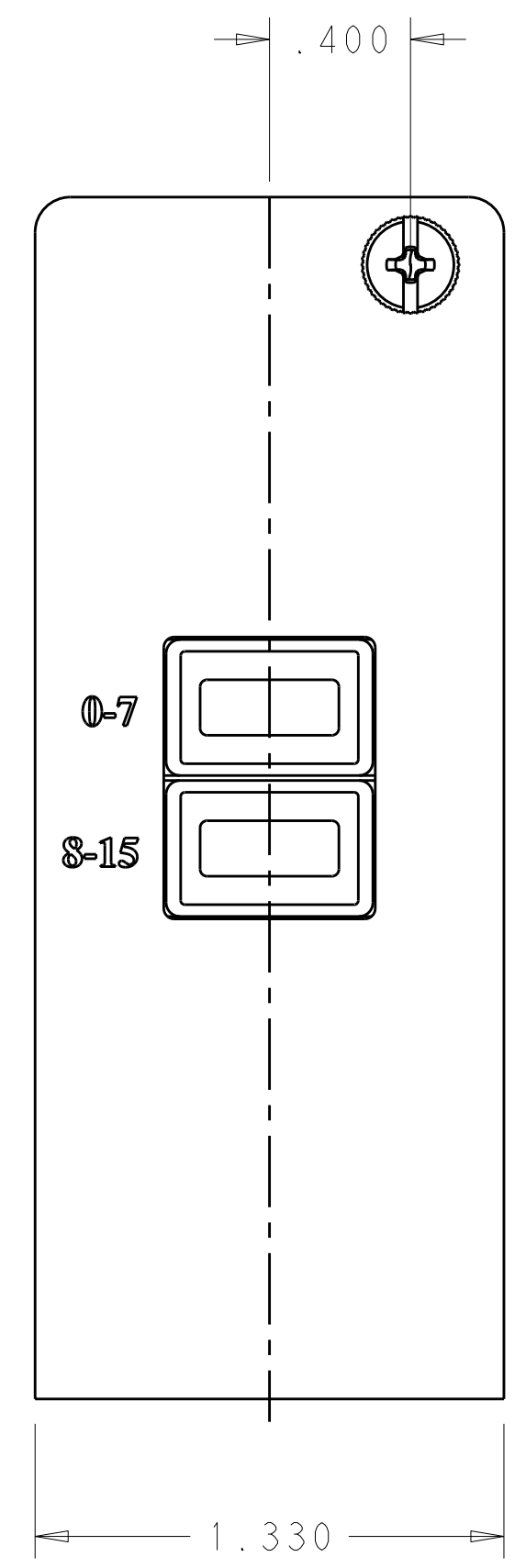
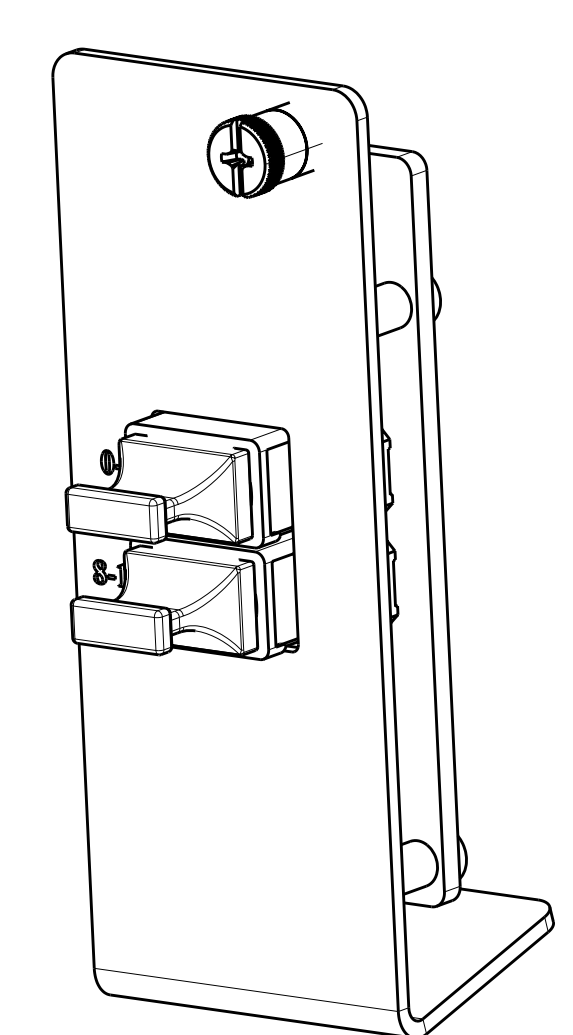


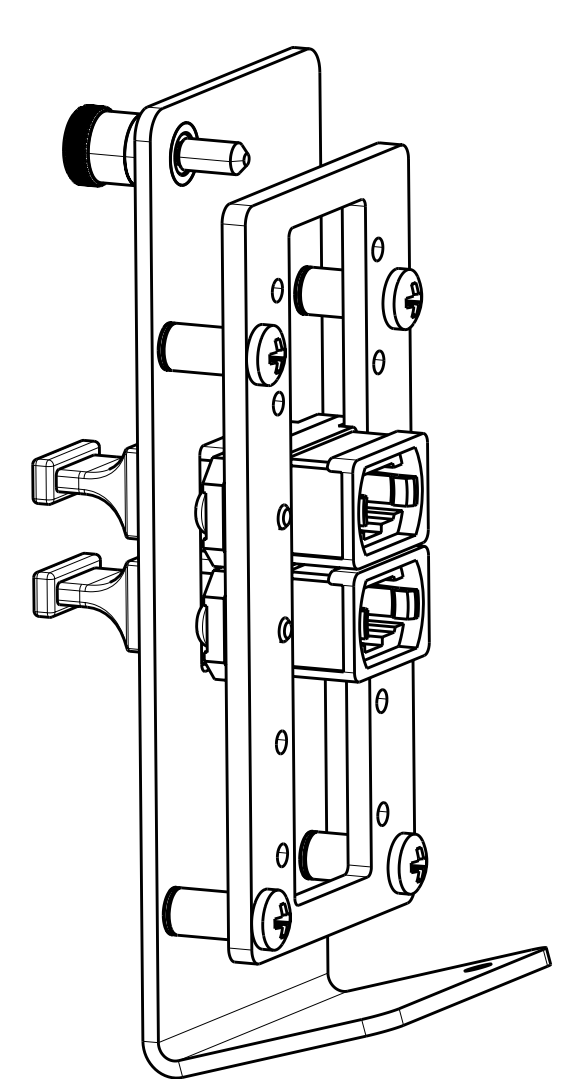
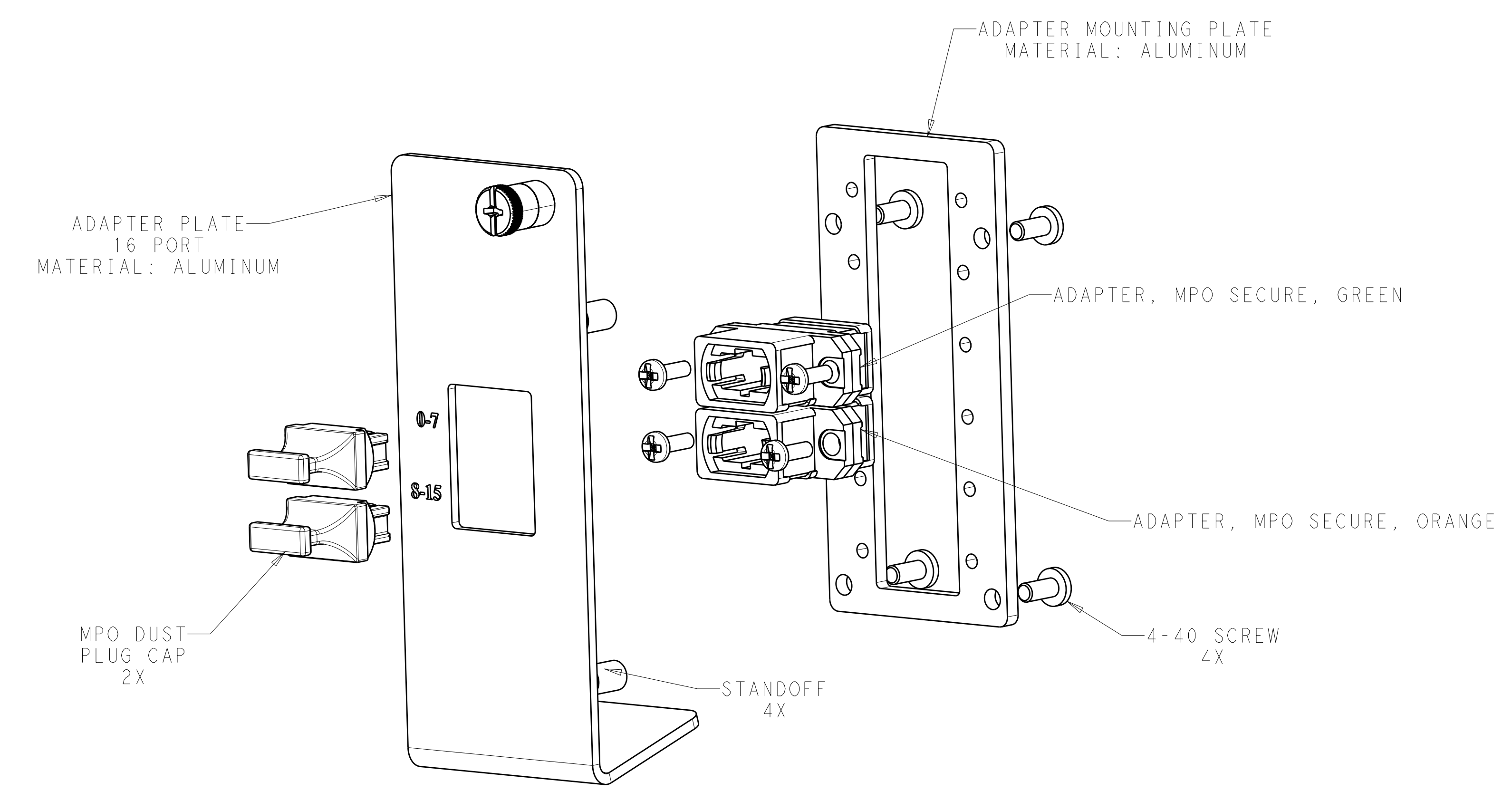
LOC	DIST	REV	DATE	BY	APPD
HM	00	A	05APR2012	JB	JS



NOTES:  
 1. FINISH: POWDER COAT, NEW ALPINE SILVER TGIC.



SCALE 3:2



2193050-1  
 PART NUMBER

THIS DRAWING IS A CONTROLLED DOCUMENT.		DWN	J. BURWELL	22OCT2010
DIMENSIONS: INCHES		CHK	J. SHIPE	22OCT2010
TOLERANCES UNLESS OTHERWISE SPECIFIED:		APVD		
Ø	PLC	±		
	PLC	±		
	PLC	±		
	PLC	±		
	PLC	±		
	ANGLES	±		
	FINISH			
MATERIAL				
CUSTOMER DRAWING		WEIGHT		
NAME		PRODUCT SPEC		
NAME		APPLICATION SPEC		
SIZE		CAGE CODE	DRAWING NO	RESTRICTED TO
A100779		C=2193050		
SCALE		SHEET	OF	REV
2:1		1	1	A