

THIS DRAWING IS UNPUBLISHED.

RELEASED FOR PUBLICATION

20

© COPYRIGHT 20 BY -

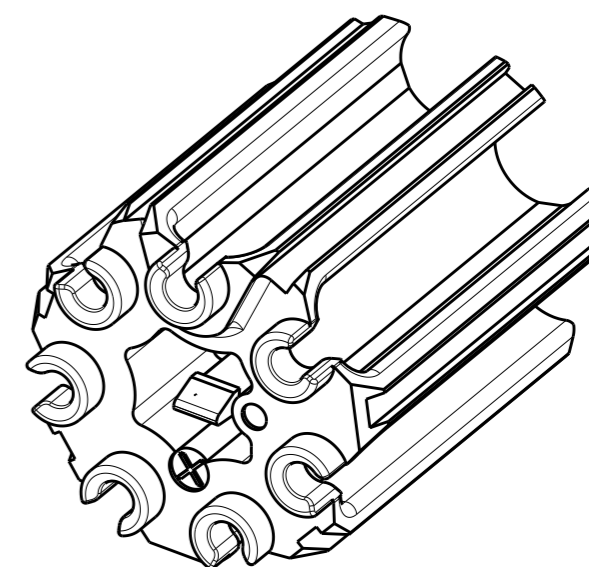
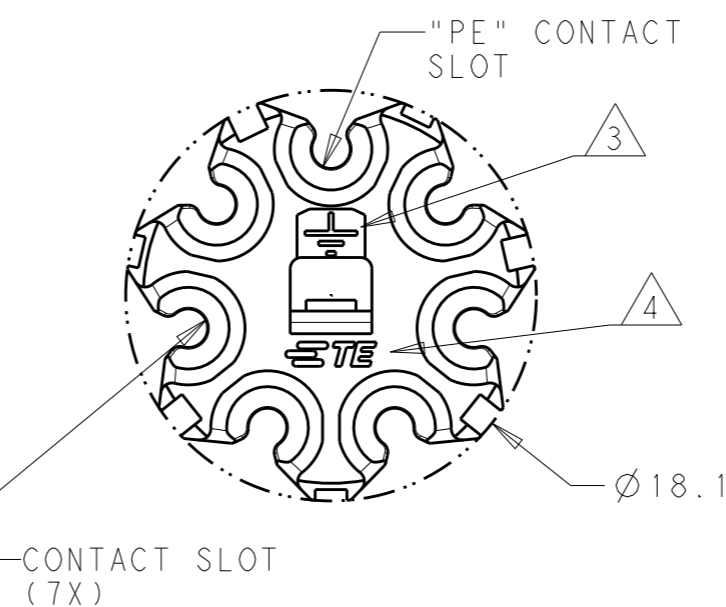
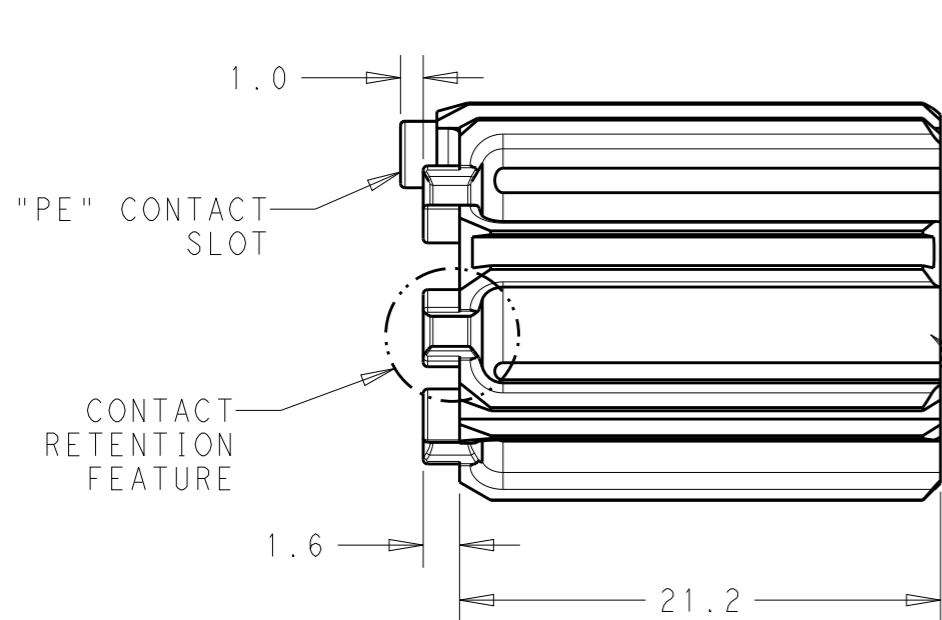
ALL RIGHTS RESERVED.

REVISIONS

P	LTR	DESCRIPTION	DATE	DWN	APVD
	2	REVISED PART NUMBER	30MAY2014	JS	ML

NOTES:

1. MATERIAL - GLASS FILLED PBT, COLOR BLACK
2. MUST COMPLY WITH DIRECTIVE 2002/95/EC (ROHS)
3. "PE" SYMBOL ALIGNS WITH "PE" CONTACT SLOT
4. TE LOGO
5. THIS PRODUCT HAS NOT COMPLETED VALIDATION TESTING



2213226-3

PART NO.

**NEW PRODUCT
PRELIMINARY
IN DEVELOPMENT**

THIS DRAWING IS A CONTROLLED DOCUMENT.

DIMENSIONS: mm		TOLERANCES UNLESS OTHERWISE SPECIFIED:	
		0 PLC	±-
		1 PLC	±0.2
		2 PLC	±0.13
		3 PLC	±-
		4 PLC	±-
MATERIAL NOTE 1		FINISH	±-

DWN	J. SHAFFER	15 JAN 2014
CHK	M. LUKSIC	15 JAN 2014
APVD	M. LUKSIC	15 JAN 2014
PRODUCT SPEC	108-133014	
APPLICATION SPEC	114-32111	
WEIGHT	-	
Customer Drawing		

CONTACT POSITIONER, 5/6/7 POSITION, SEALED, NECTOR M-LINE			
SIZE	CAGE CODE	DRAWING NO	RESTRICTED TO
A3	-	2213226	-
SCALE		SHEET	REV
2:1		1 OF 1	2