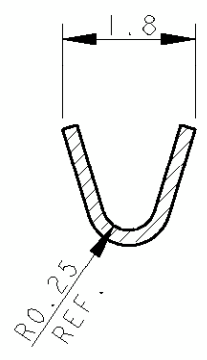


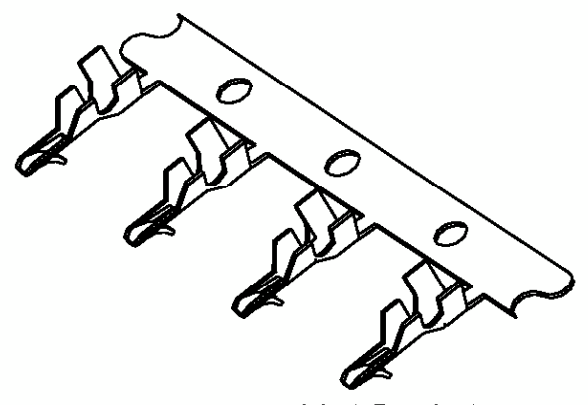
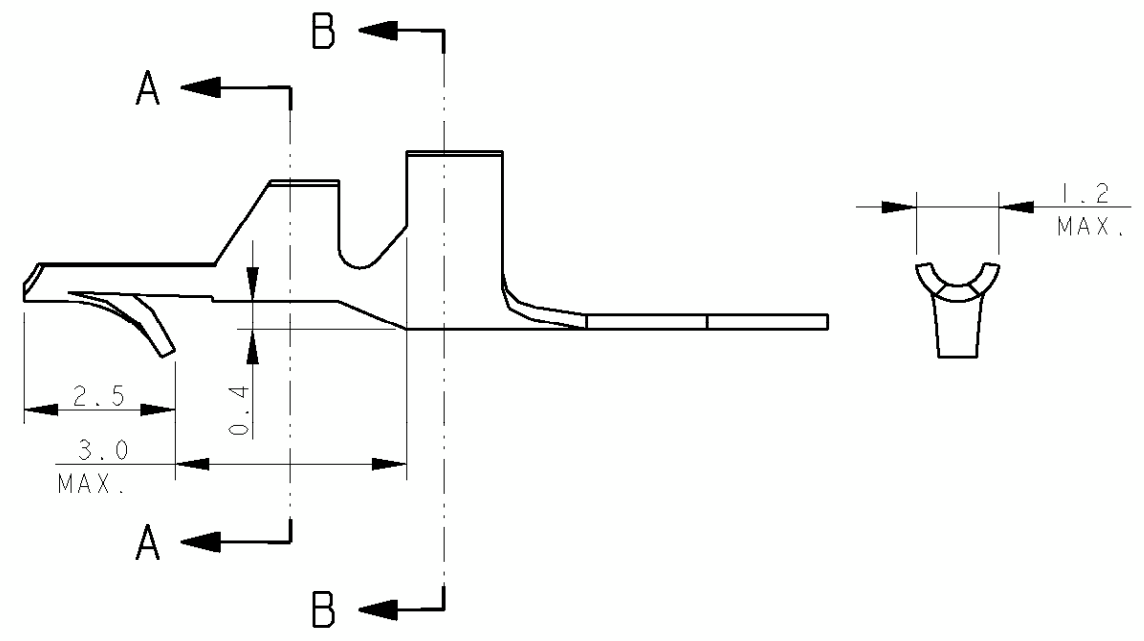
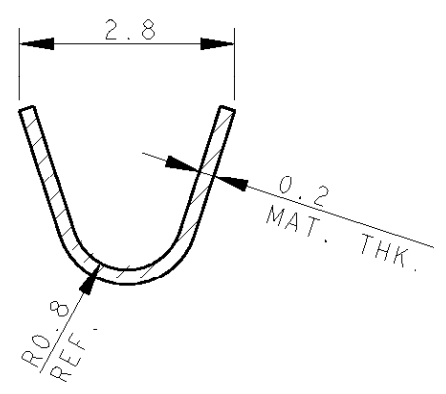
THIS DRAWING IS UNPUBLISHED. RELEASED FOR PUBLICATION
 © COPYRIGHT ALL RIGHTS RESERVED.

LOC	DIST	REVISIONS			
P	LTR	DESCRIPTION	DATE	DWN	APVD
		S3 REVISED PER ECR-14-017574	02DEC2014	NK	GJ

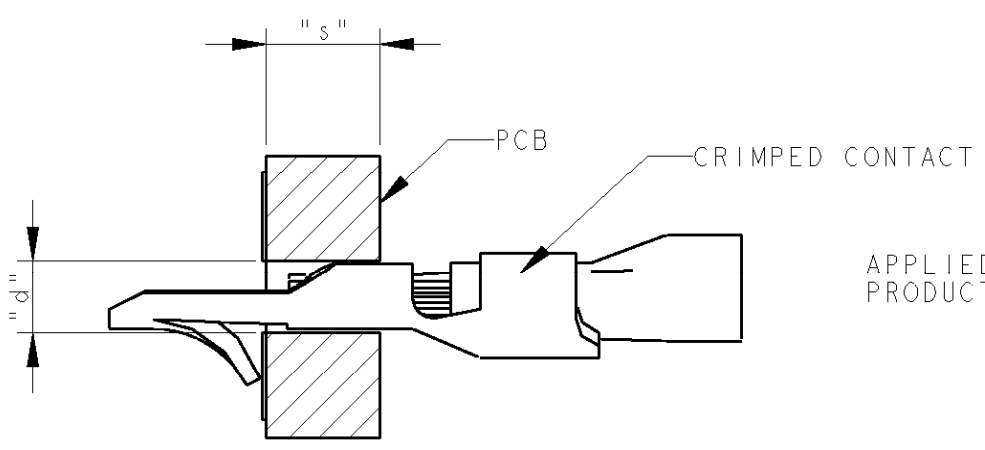
SECTION A-A



SECTION B-B



SCALE 3:1



1 STATO DI FORNITURA (SUPPLY CONDITION)

SENSO DI USCITA DEL CONTATTO DALLA BOBINA (DIRECTION OFF TOP OF REEL)	
	ALETTE DI AGGRAFFATURA RIVOLTE VERSO L'ALTO ("U"ing UP)
P/N 0-925819-3	
	ALETTE DI AGGRAFFATURA RIVOLTE VERSO IL BASSO ("U"ing DOWN)
P/N 0-925819-4	

26-22	1.3+0.15 1.2+0.15	1.5 1.5 & 2	654079-2	NOTE	STAGNATO CON SOTTOSTRATO DI NICKEL (TIN OVER NICKEL)	OTTONE (BRASS)	3-0-925819-4 0-925819-3	S S
WIRE RANGE [AWG]	HOLE DIA. "d" [mm]	PCB THK. "s" [mm]	LOG No.		FINITURA/COLORE (FINISH/COLOUR)	MATERIALE (MATERIAL)	TE CONNECTIVITY PART NUMBER	REV

DIMS: mm		TOLERANCES UNLESS OTHERWISE SPECIFIED:		DWN H. YAALI 03JUL2003		TE Connectivity	
		0 PLC ± -	1 PLC ± 0.3	CHK C. TARTARI			
MATERIAL AS TABLE		FINISH AS TABLE		APVD -		MINI AMP-IN CONTACT (STRIP FORM)	
				PRODUCT SPEC -		SIZE A3	
				APPLICATION SPEC -		CAGE CODE 00779	
				WEIGHT -		DRAWING NO C-925819	
				CUSTOMER DRAWING		RESTRICTED TO -	
				SCALE 10:1		SHEET 1 OF 1	
						REV S3	

2) SPELLATURA 2.4±0.2 (STRIP LENGTH 2.4±0.2)

3 OBSOLETE