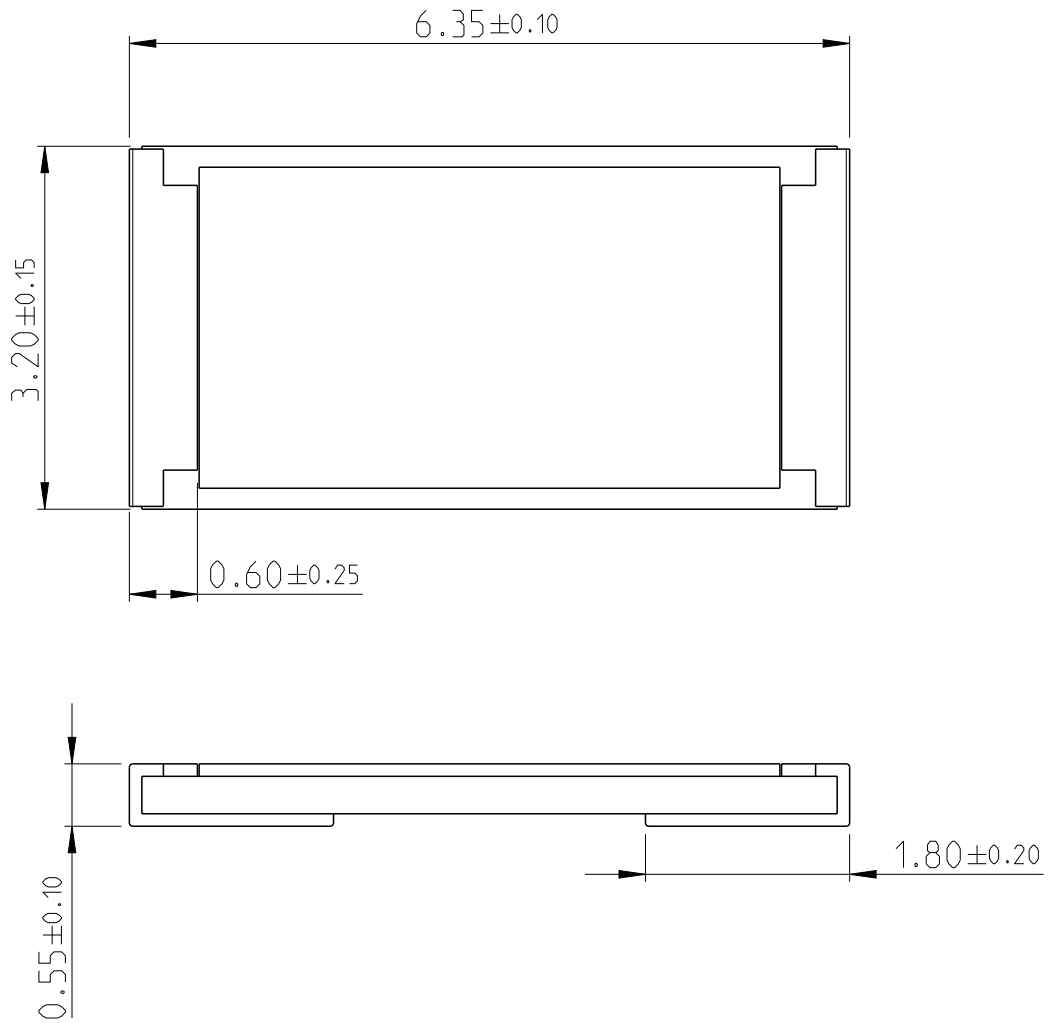
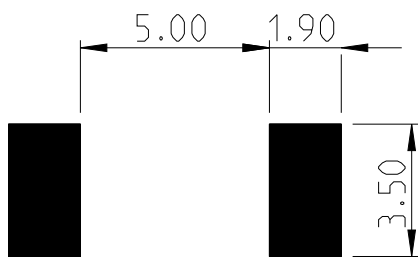


LOC	DIST	REVISIONS					
-	-	P	LTR	DESCRIPTION	DATE	DWN	APVD
		BB		ECR-13-014781	20SEP2013	KR	TN

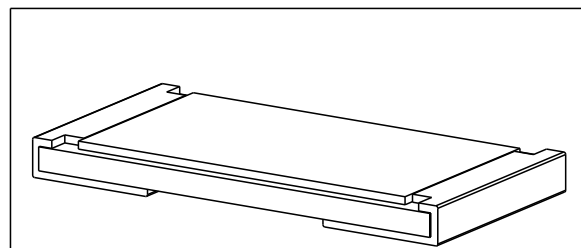


FOR FURTHER INFORMATION SEE PRODUCT SPECIFICATION FOR CRGH SERIES



PCB LAYOUT PLAN

RoHS Compliant



20
 RELEASED FOR PUBLICATION
 ALL RIGHTS RESERVED.
 BY -
 COPYRIGHT 20

DIMENSIONS: mm	DWN RAGHAVENDRA K 27JUN2012	MATERIAL	FINISH
TOLERANCES UNLESS OTHERWISE SPECIFIED:	CHK ALLAN P 27JUN2012	 TE Connectivity	
0 PLC ±	APVD TONY N 27JUN2012		
1 PLC ±0.5	PRODUCT SPEC	NAME SMD POWER RESISTORS - TYPE CRGH2512 SERIES	
2 PLC ±0.13	APPLICATION SPEC	SIZE	RESTRICTED TO
3 PLC ±0.013		CAGE CODE	
4 PLC ±0.0001		DRAWING NO	
ANGLES ±	WEIGHT	A 4	
		00779	
Customer Drawing		©=1879524	
		SCALE 40:1	SHEET 1 OF 1
			REV BB