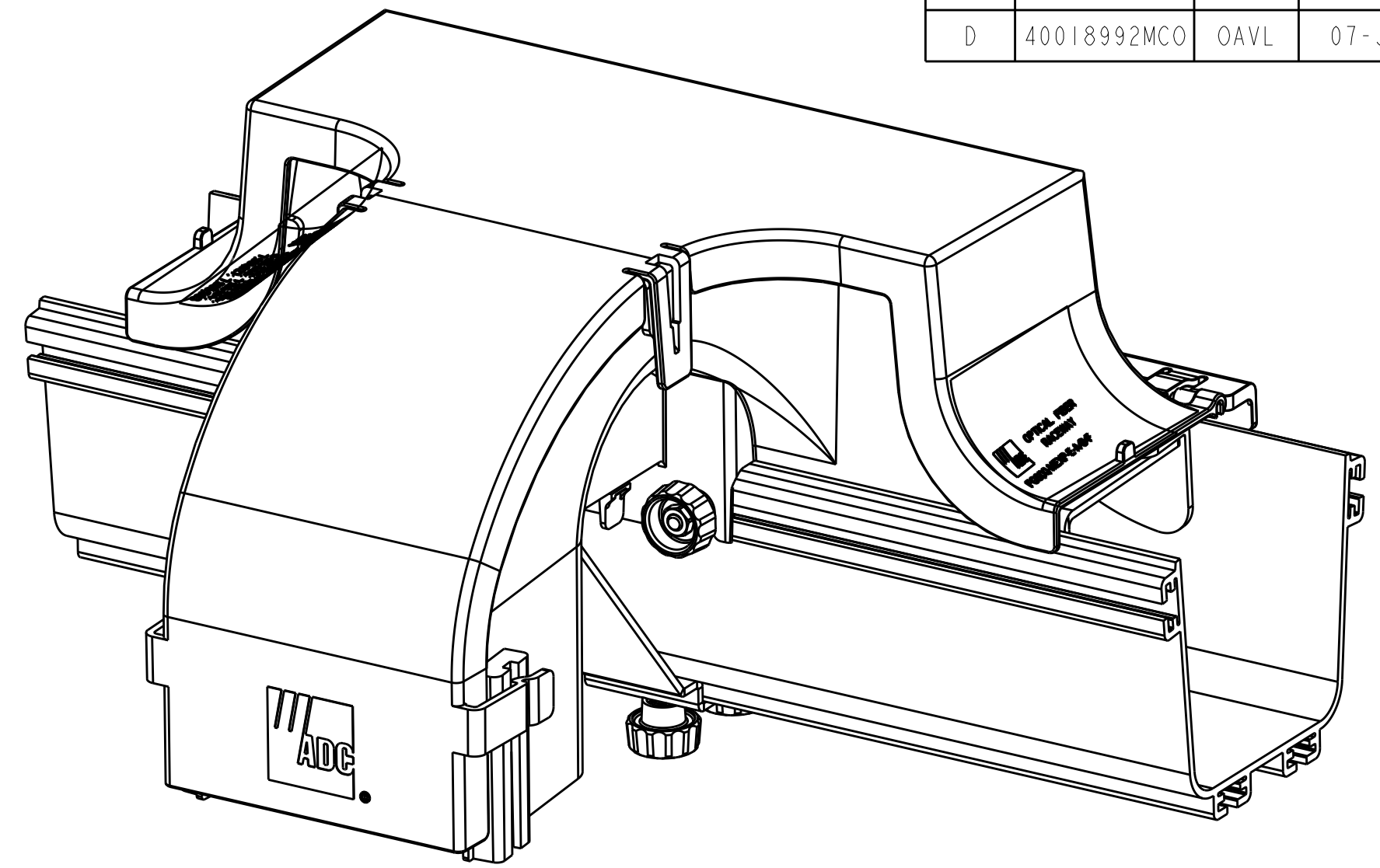
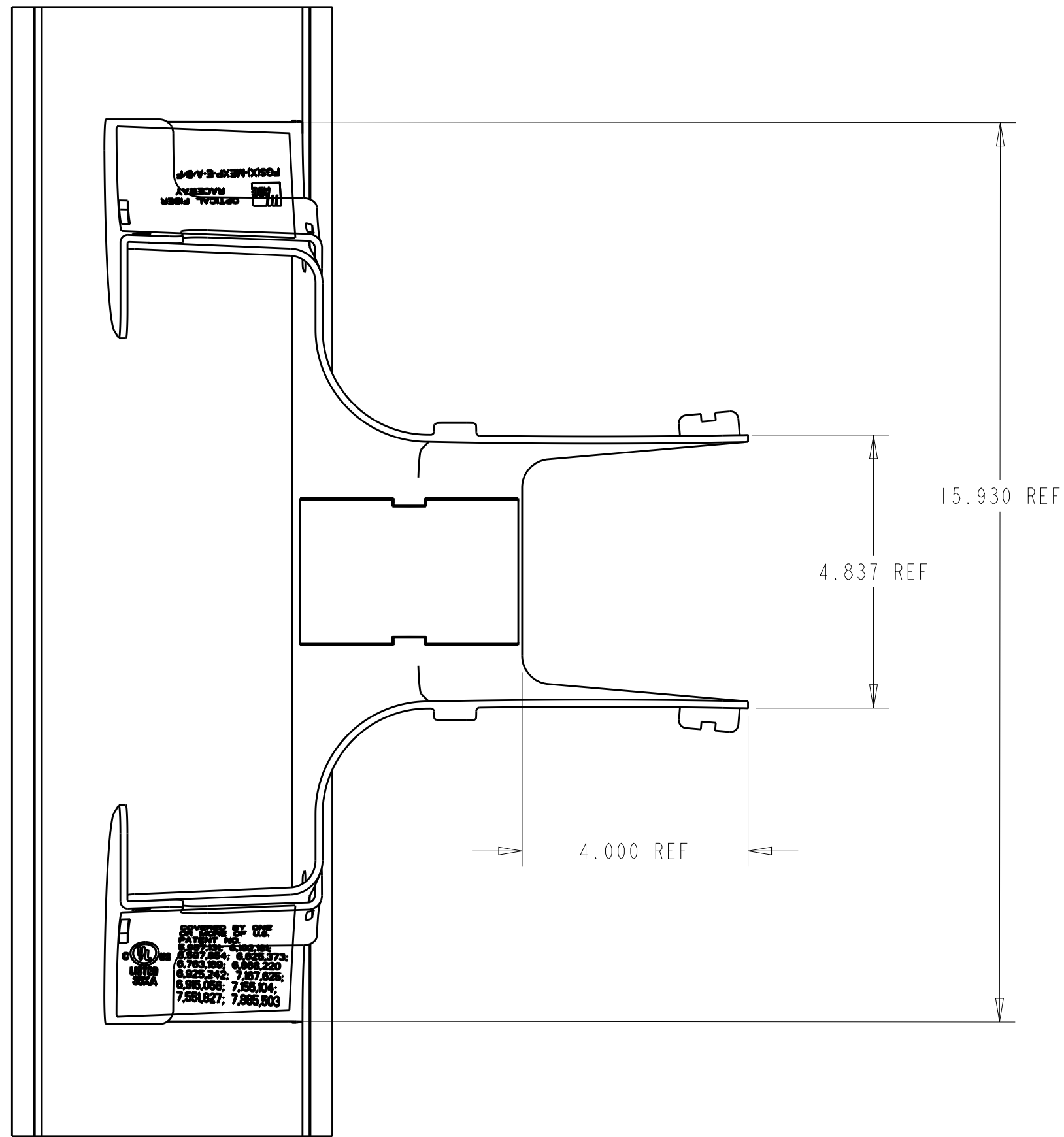


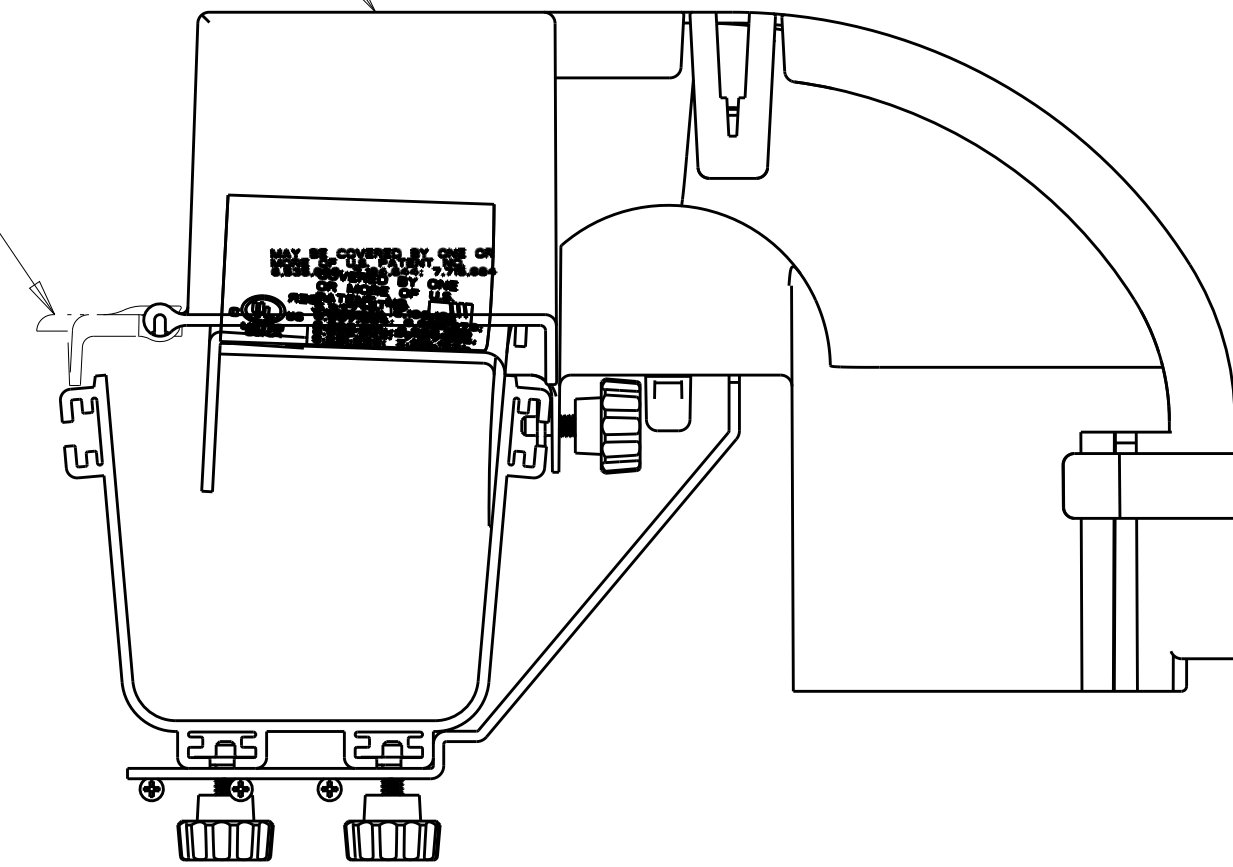
REV	MCO	DWN	DATE
C	20235601	GRL	12-MAR-08
D	40018992MCO	OAVL	07-JAN-15



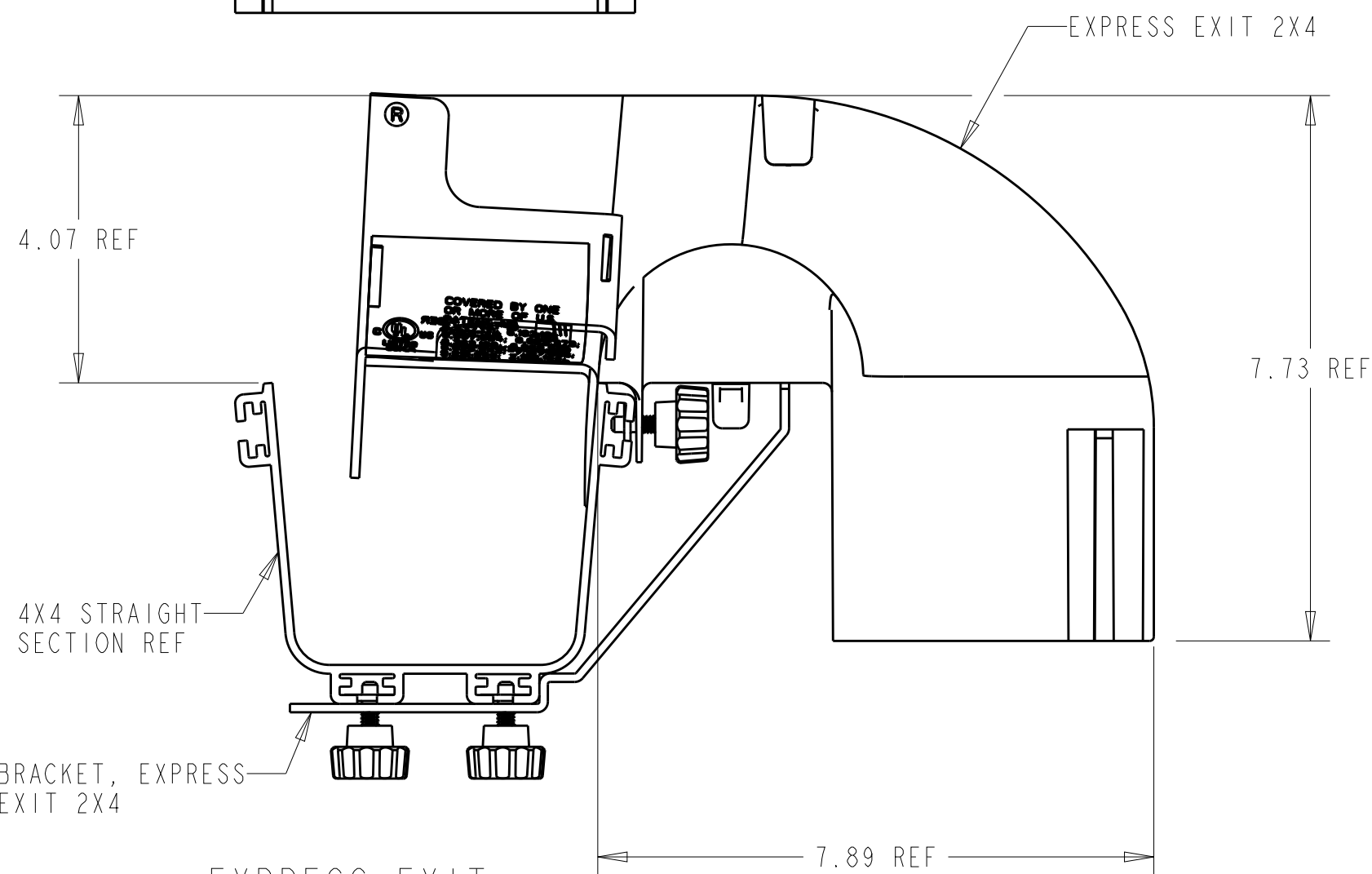
ISO VIEW
SCALE 0.450

1 COVER, EXPRESS EXIT 2X4

COVER EXTENSION
4X4 FLIP COVER
FGS-MEXC-E-A
(NOT INCLUDED IN KIT)



FLIP COVER OPEN VIEW
SCALE 0.450



EXPRESS EXIT
ON TROUGH VIEW
SCALE 0.450

CATALOG NO.	COMPONENT LIST	COLOR
FGS-MEXP-NC-A/B/F	2	YELLOW
FGSB-MEXP-E-A/B/F	1	BLACK
FGS-MEXP-E-A/B/F	1	YELLOW



INFORMATION ON THIS DOCUMENT IS PROPRIETARY TO TE CONNECTIVITY AND SHALL NOT BE USED, COPIED, REPRODUCED OR DISCLOSED IN WHOLE OR IN PART WITHOUT WRITTEN CONSENT OF TE CONNECTIVITY.

ALL DIMS AND TOLERANCES .XX:±N/A ARE INCHES UNLESS .XXX:±N/A OTHERWISE SPECIFIED ANGULAR:±N/A

DO NOT SCALE DRAWING

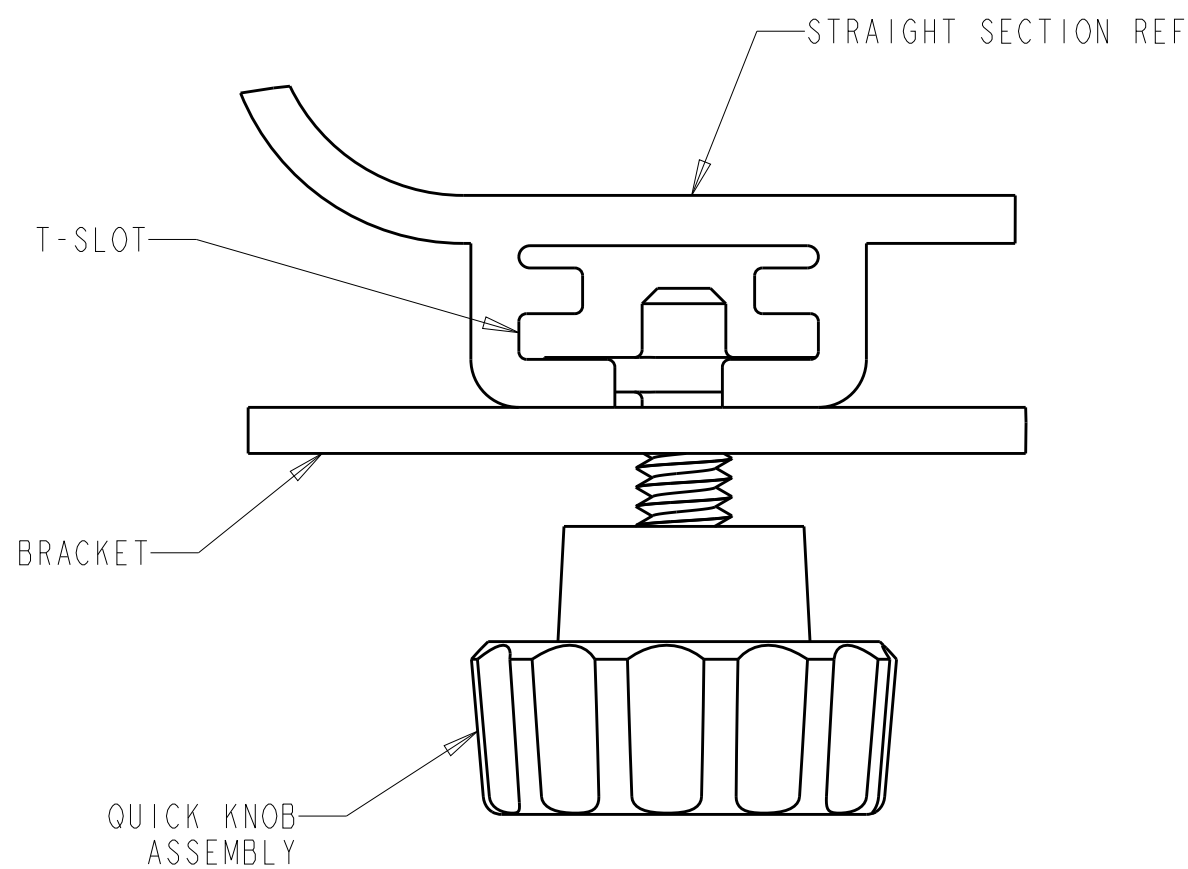
TITLE KIT, BRACKET, RESTRAINING, L/R, FGS (INSTALLATION DRAWING)

DRAWING NUMBER 1147583_ADC

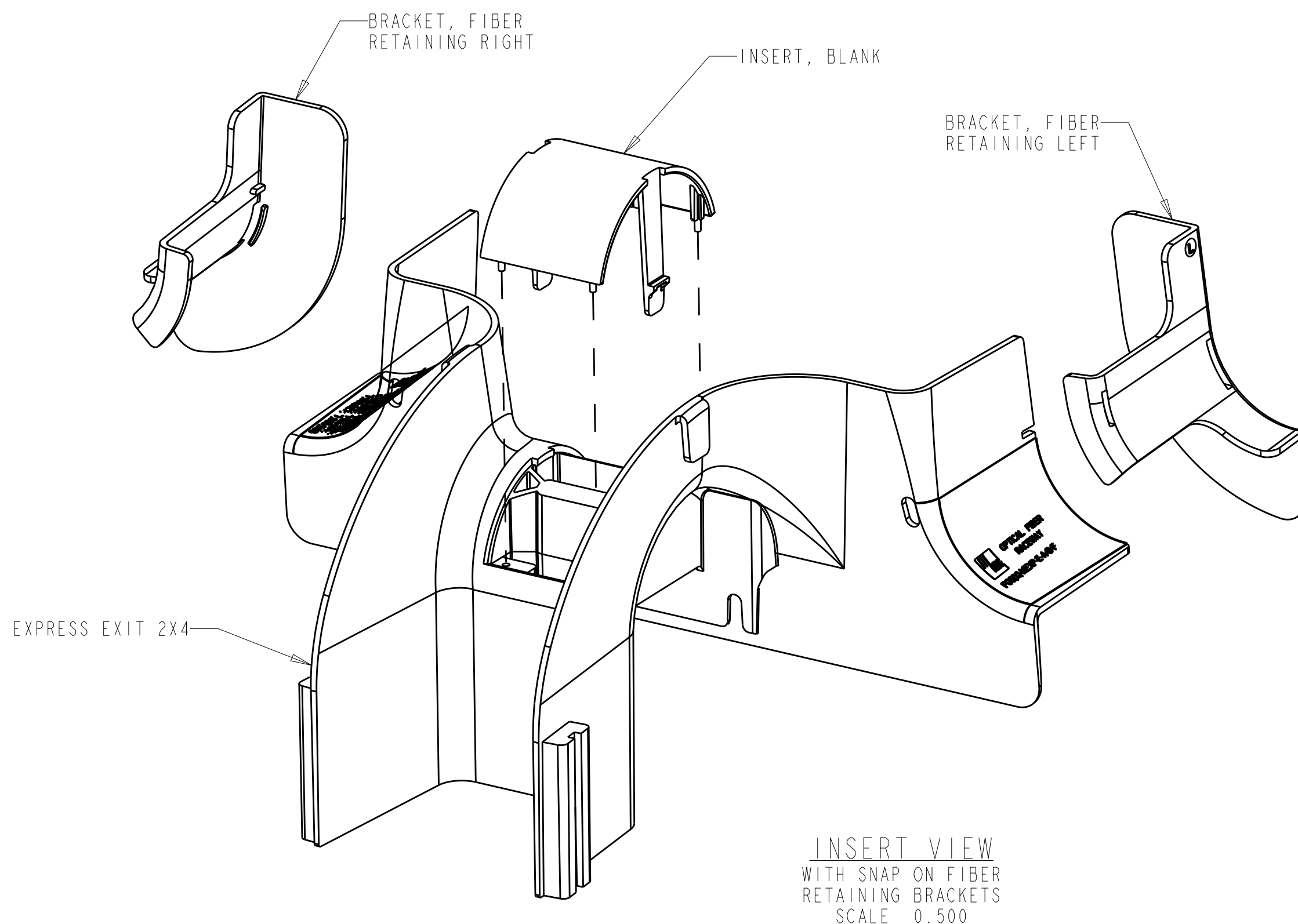
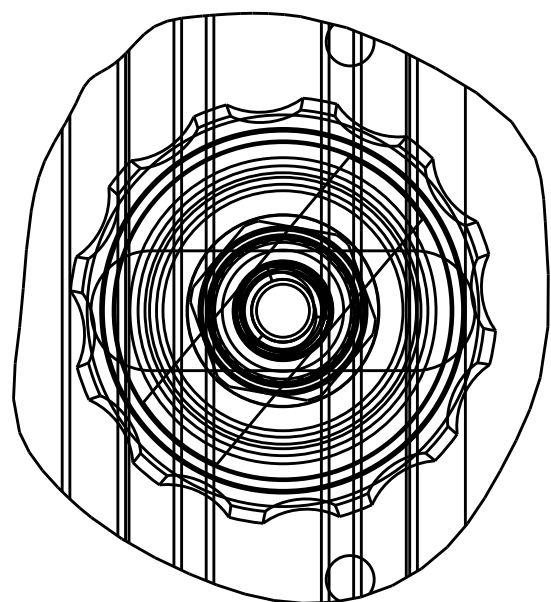
ENGR: JOHN VAN SCOY
DWN: JASON DANNER

SHT. 1 OF 4

DIMENSIONS IN INCHES
THIRD ANGLE PROJECTION



DETAIL A
QUICK KNOB
INSTALLATION VIEW
SCALE 2.000



INSERT VIEW
WITH SNAP ON FIBER
RETAINING BRACKETS
SCALE 0.500

INSTALLATION INSTRUCTIONS:

1. CHECK COMPONENT LIST TO SEE IF COVER IS AVAILABLE ON THIS KIT.
2. PLACE FIBER RETAINING BRACKETS ON EXPRESS EXIT BY ALIGNING RAISED TAB ON BRACKET WITH CUT OUT ON EXPRESS EXIT AND ROTATE TOWARDS EXPRESS EXIT UNTIL SNAPPED INTO PLACE. (OPTIONAL)
3. INSTALL REMOVEABLE INSERT OF CHOICE (BLANK, RIGHT OR LEFT) BY DEPRESSING TABS AND SLIDING INTO PLACE WHILE ALIGNING PINS. IF PINS DO NOT MATCH HOLES, ROTATE INSERT 180°; HOLES ARE OFFSET TO PROVIDE CORRECT PLACEMENT.
4. PLACE EXPRESS EXIT 2X4 ON STRAIGHT SECTION AS SHOWN.
5. LIFT ONE END OF EXPRESS EXIT 2X4 AND INSTALL QUICK KNOBS INTO T-SLOT, LOWER EXPRESS EXIT ONTO STRAIGHT SECTION. REPEAT FOR OTHER SIDE. ROTATE QUICK KNOBS CLOCKWISE SUCH THAT T-BOLT FLANGES EXTEND INTO T-SLOT. LOOSELY HAND TIGHTEN QUICK KNOBS. SEE DETAIL A.

*WARNING: IF EXPRESS EXIT IS REMOVED FROM STRAIGHT SECTION WHILE QUICK KNOBS ARE INSTALLED, QUICK KNOBS WILL FALL OUT.
6. ATTACH EXTENSION BRACKET TO EXPRESS EXIT USING 6-32 X .25 LONG SCREWS. (4X6 AND 4X12 STRAIGHT SECTION ONLY)
7. INSERT QUICK KNOBS THROUGH BRACKET, ROTATE 90° AND INTO T-SLOT IN STRAIGHT SECTION WHILE INSERTING BRACKET INTO EXPRESS EXIT SLOT. ROTATE QUICK KNOBS CLOCKWISE SUCH THAT T-BOLT FLANGES EXTEND INTO T-SLOT. SEE DETAIL A.
8. TIGHTEN (4) QUICK KNOBS COMPLETELY.

COMPONENT LIST #1

DESCRIPTION	QTY
EXPRESS EXIT 2X4	1
COVER, EXPRESS EXIT 2X4	1
BRACKET, RETAINING FIBER RIGHT	1
BRACKET, RETAINING FIBER LEFT	1
INSERT, BLANK REMOVEABLE	1
INSERT, RIGHT REMOVEABLE	1
INSERT, LEFT REMOVEABLE	1
BRACKET, EXPRESS EXIT 2X4	1
BRACKET, EXTENSION	1
QUICK KNOB ASSEMBLY	4
SCREW, 6-32 X .25	4

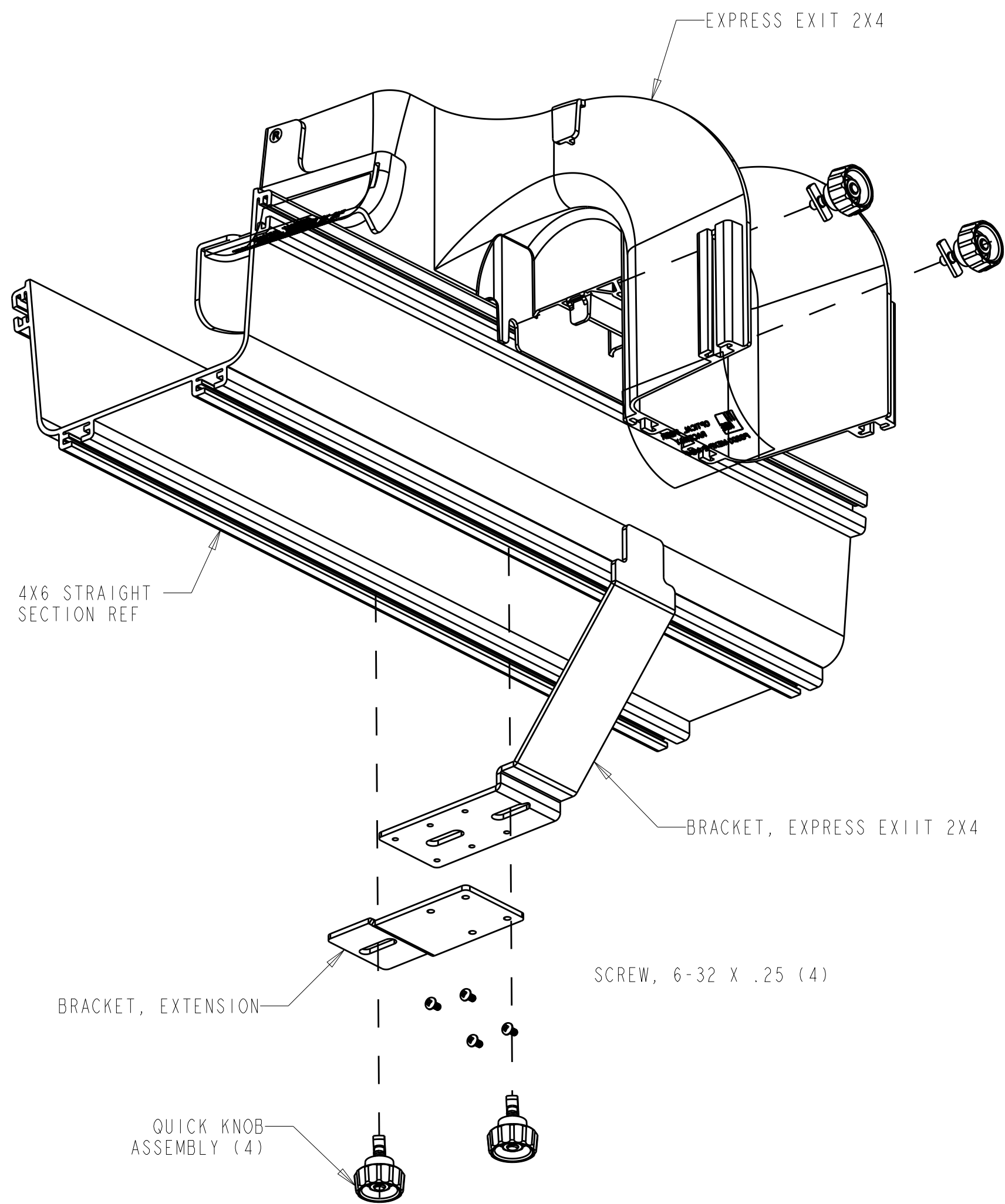
COMPONENT LIST # 2

DESCRIPTION	QTY
EXPRESS EXIT 2X4	1
BRACKET, RETAINING FIBER RIGHT	1
BRACKET, RETAINING FIBER LEFT	1
INSERT, BLANK REMOVEABLE	1
INSERT, RIGHT REMOVEABLE	1
INSERT, LEFT REMOVEABLE	1
BRACKET, EXPRESS EXIT 2X4	1
BRACKET, EXTENSION	1
QUICK KNOB ASSEMBLY	4
SCREW, 6-32 X .25	4

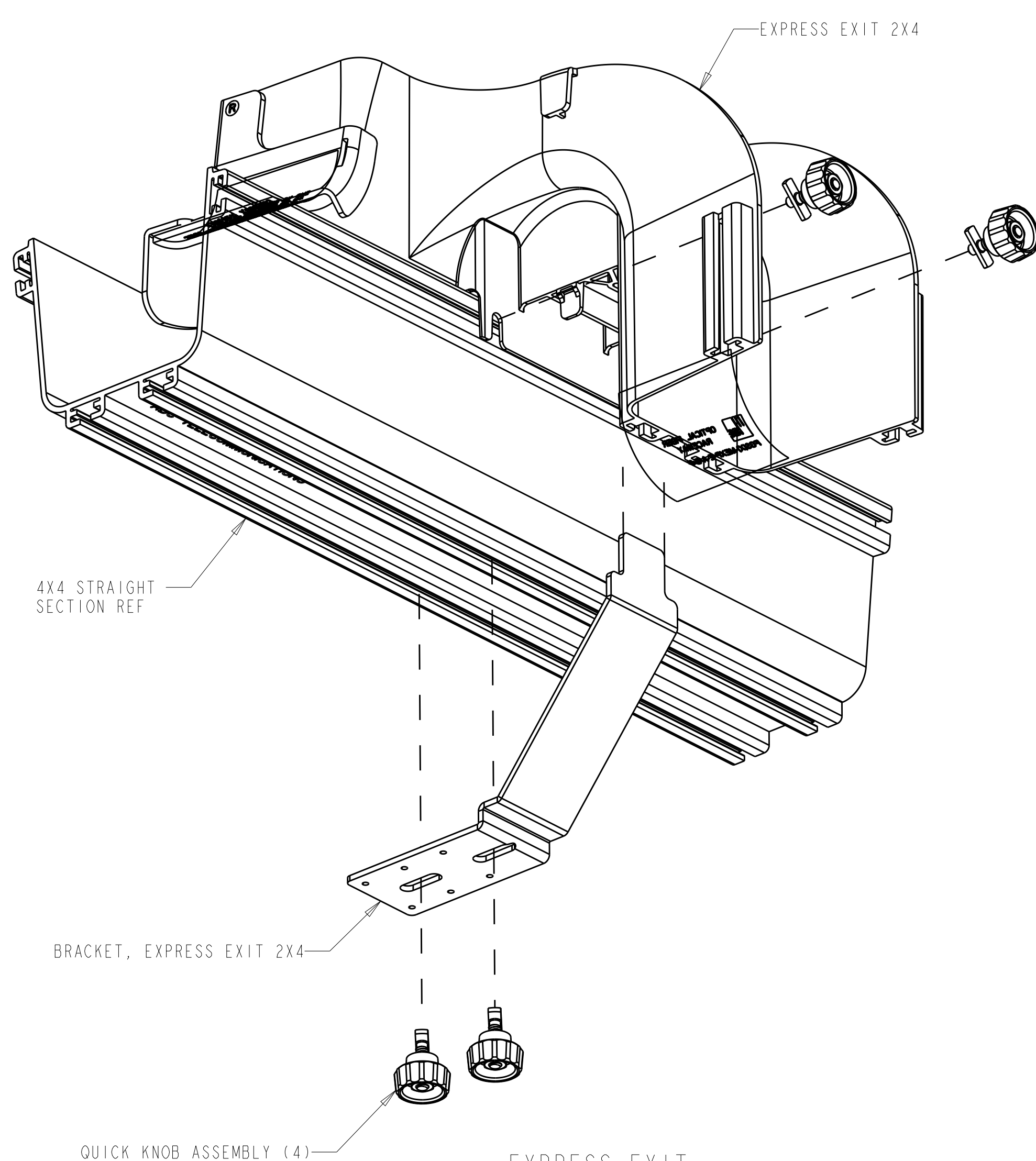


INFORMATION ON THIS DOCUMENT IS PROPRIETARY TO TE CONNECTIVITY AND SHALL NOT BE USED, COPIED, REPRODUCED OR DISCLOSED IN WHOLE OR IN PART WITHOUT WRITTEN CONSENT OF TE CONNECTIVITY.		TITLE KIT, BRACKET, RESTRAINING, L/R, FGS (INSTALLATION DRAWING)	
ALL DIMS AND TOLERANCES ARE INCHES UNLESS OTHERWISE SPECIFIED	.XX:±N/A .XXX:±N/A ANGULAR:±N/A	C SIZE	D REV
DO NOT SCALE DRAWING		ENGR: JOHN VAN SCOY DWN: JASON DANNER	DRAWING NUMBER 1147583_ADC SHT. 2 OF 4

DIMENSIONS IN INCHES
THIRD ANGLE PROJECTION



EXPRESS EXIT 2X4
INSTALLATION
4X6 STRAIGHT SECTION
SCALE 0.400



EXPRESS EXIT
2X4 INSTALLATION
4X4 STRAIGHT SECTION
SCALE 0.500



INFORMATION ON THIS DOCUMENT IS PROPRIETARY TO TE CONNECTIVITY AND SHALL NOT BE USED, COPIED, REPRODUCED OR DISCLOSED IN WHOLE OR IN PART WITHOUT WRITTEN CONSENT OF TE CONNECTIVITY.		TITLE KIT, BRACKET, RESTRAINING, L/R, FGS (INSTALLATION DRAWING)	
ALL DIMS AND TOLERANCES ARE INCHES UNLESS OTHERWISE SPECIFIED	.XX:±N/A .XXX:±N/A ANGULAR:±N/A	C SIZE	DRAWING NUMBER 1147583_ADC
DO NOT SCALE DRAWING	ENGR: JOHN VAN SCOY DWN: JASON DANNER	SHT. 3 OF 4	

DIMENSIONS IN INCHES
THIRD ANGLE PROJECTION

A

B

C

D

1 COVER EXPRESS EXIT 2X4

4X12 FLIP COVER
FGS-MEXC-E-F
REF

4X6 FLIP COVER
FGS-MEXC-E-B
REF

EXPRESS EXIT 2X4

4X4 FLIP COVER
FGS-MEXC-E-A
REF

EXPRESS EXIT 2X4

COVER OFF VIEW
FLIP COVERS NOT INCLUDED
IN KIT
SCALE 0.400

4X12 STRAIGHT
SECTION REF

BRACKET, EXPRESS EXIT 2X4

BRACKET, EXTENSION

SCREW, 6-32 X .25 (4)

QUICK KNOB ASSEMBLY (4)

EXPRESS EXIT 2X4
INSTALLATION
4X12 STRAIGHT SECTION
SCALE 0.400



INFORMATION ON THIS DOCUMENT IS PROPRIETARY TO TE CONNECTIVITY AND SHALL NOT BE USED, COPIED, REPRODUCED OR DISCLOSED IN WHOLE OR IN PART WITHOUT WRITTEN CONSENT OF TE CONNECTIVITY.		TITLE	KIT, BRACKET, RESTRAINING, L/R, FGS (INSTALLATION DRAWING)	
ALL DIMS AND TOLERANCES ARE INCHES UNLESS OTHERWISE SPECIFIED	.XX:±N/A .XXX:±N/A ANGULAR:±N/A	C SIZE	DRAWING NUMBER 1147583_ADC	D REV
DO NOT SCALE DRAWING	ENGR: JOHN VAN SCOY DWN: JASON DANNER	SHT. 4 OF 4		

DIMENSIONS IN INCHES
THIRD ANGLE PROJECTION