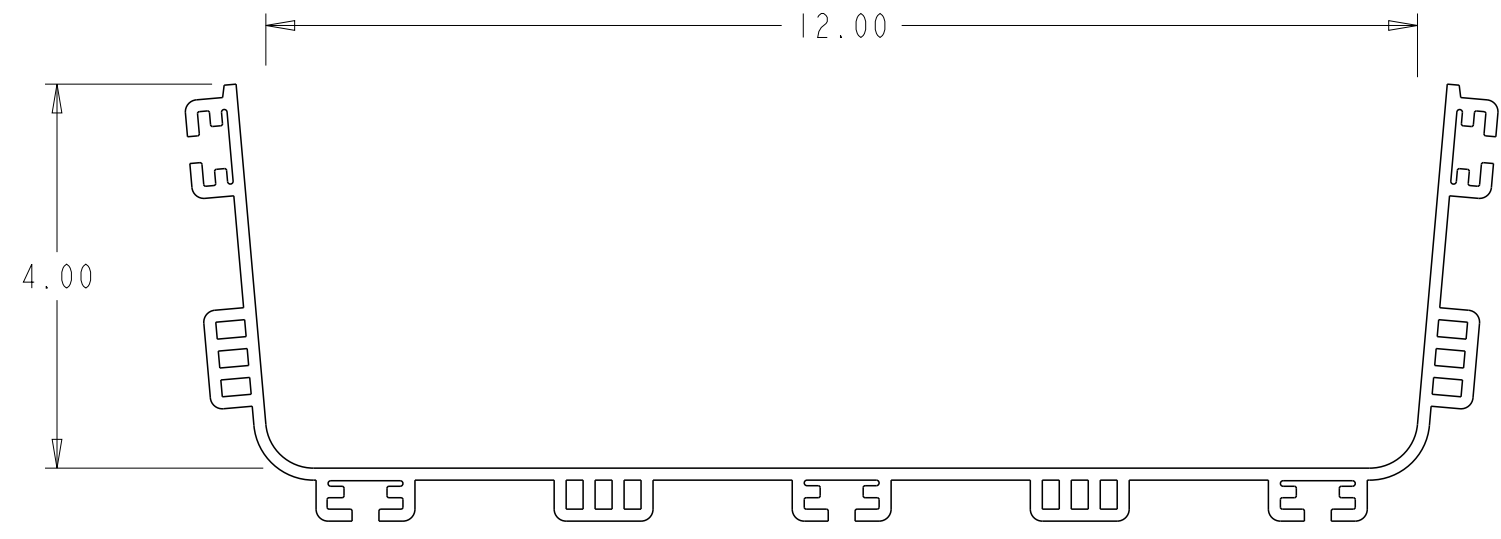
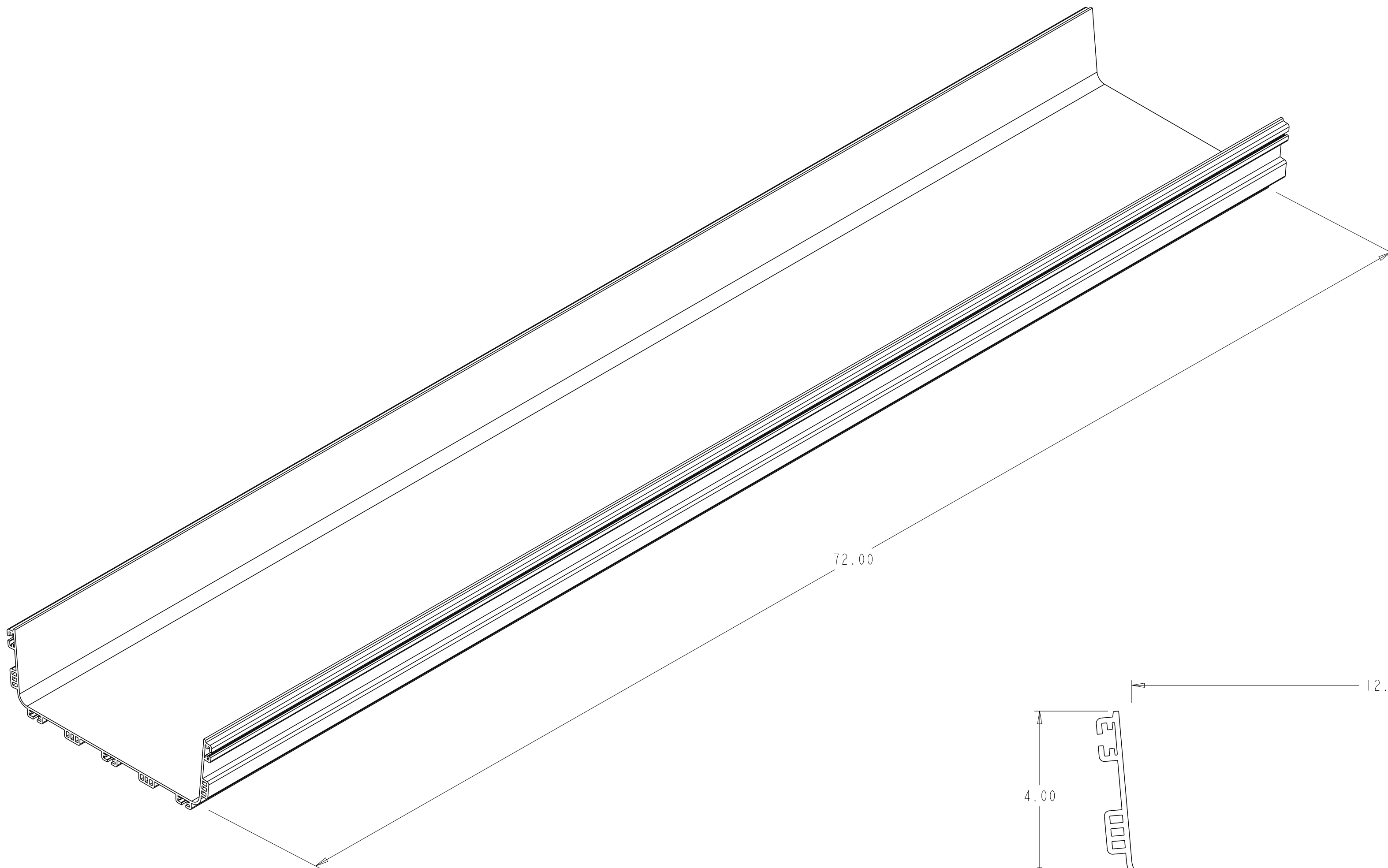


REV	MCO	DWN	DATE
A	40018453MCO	OAVL	01-DEC-14



NOTES:
 1. MATERIAL IS SELF EXTINGUISHING WITH A UL 94 RATING OF V-0.



INFORMATION ON THIS DOCUMENT IS PROPRIETARY TO TE CONNECTIVITY AND SHALL NOT BE USED, COPIED, REPRODUCED OR DISCLOSED IN WHOLE OR IN PART WITHOUT WRITTEN CONSENT OF TE CONNECTIVITY.
 ALL DIMS AND TOLERANCES .XX:±REF ARE INCHES UNLESS .XXX:±REF OTHERWISE SPECIFIED ANGULAR:±REF

FGSB-MSHS-F	BLACK
FGS-MSHS-F	YELLOW
CATALOG NUMBER	COLOR

TITLE STRAIGHT, 4X12X6 FT, FGS (INSTALLATION DRW)

DO NOT SCALE DRAWING	ENGR: HECTOR URENO DWN: OMAR A. VALDEZ	C SIZE	DRAWING NUMBER 300100107423	A REV
			SHT. 1 OF 1	

 **DIMENSIONS IN INCHES
THIRD ANGLE PROJECTION**