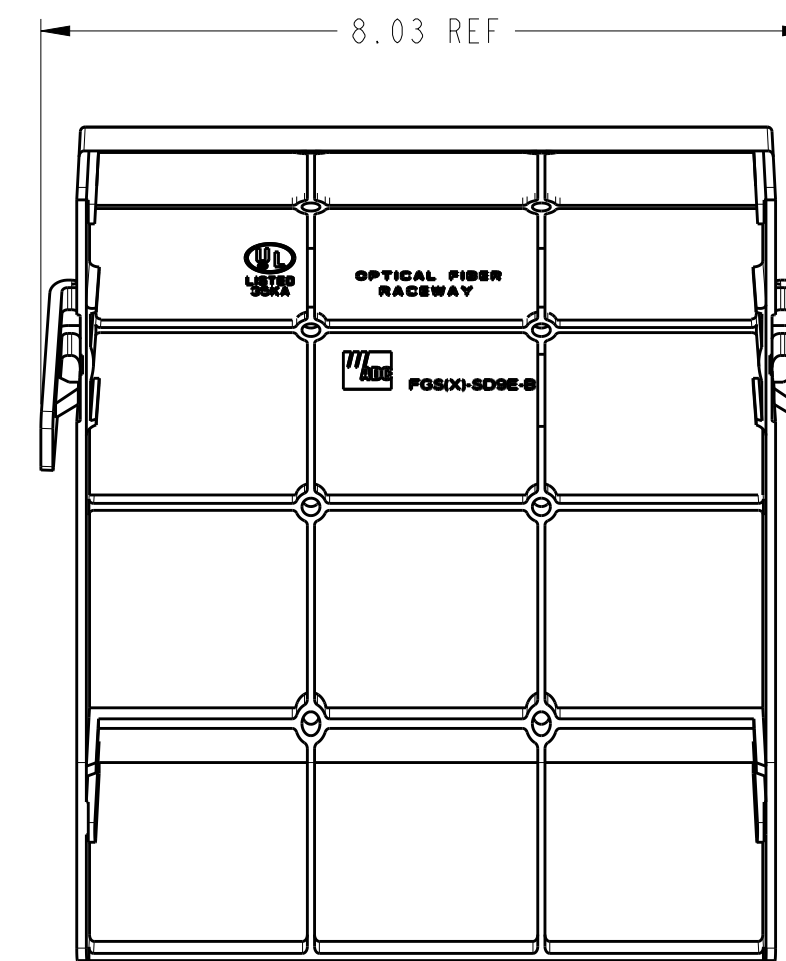
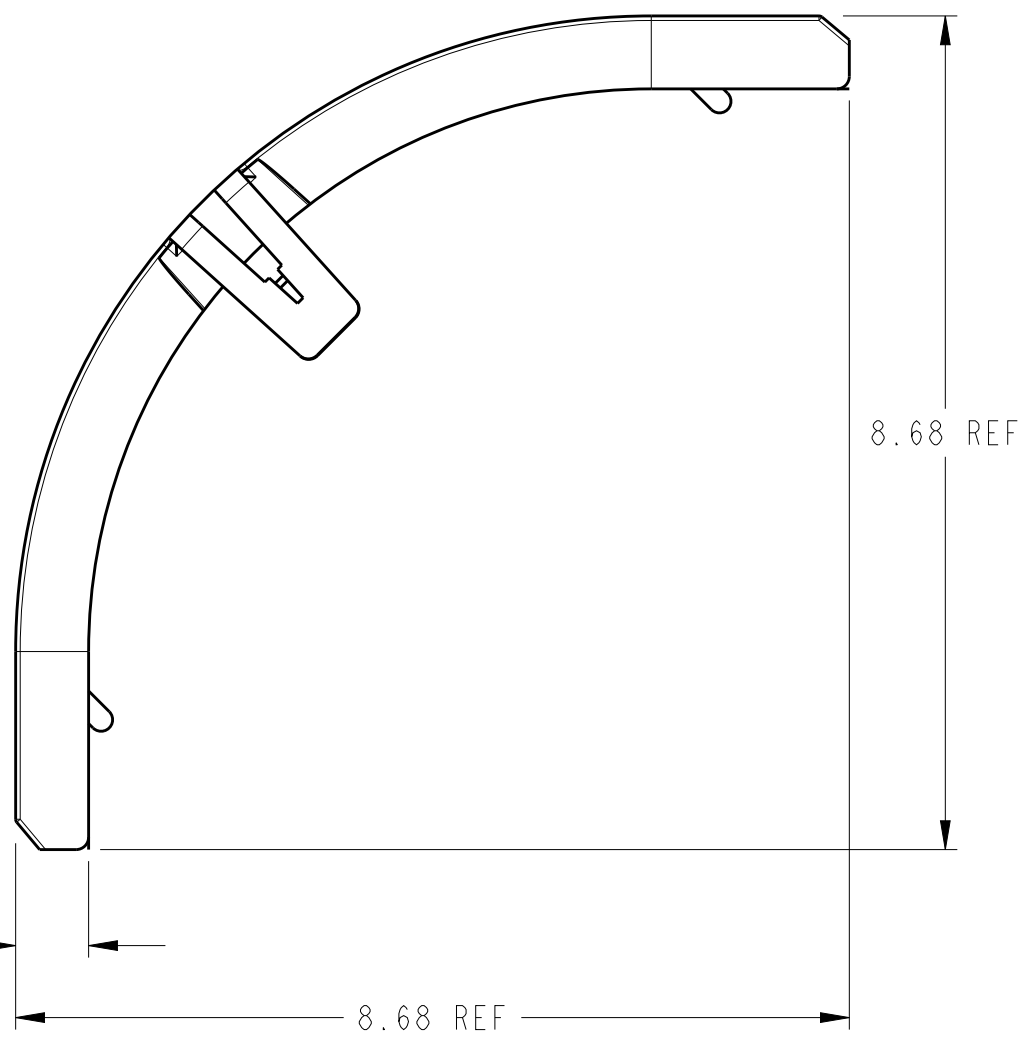
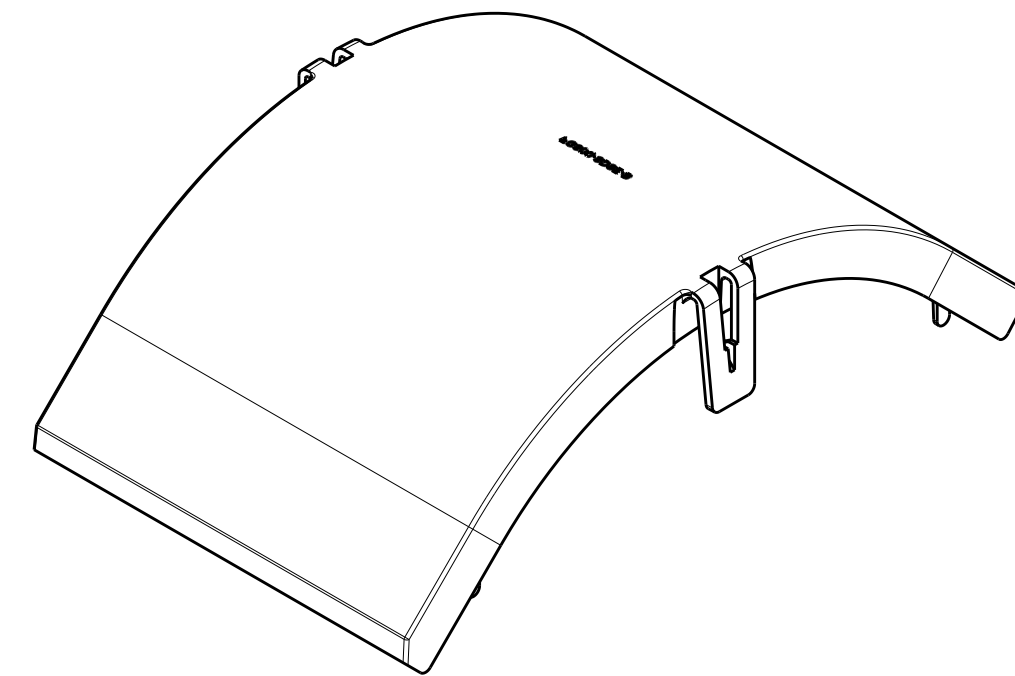
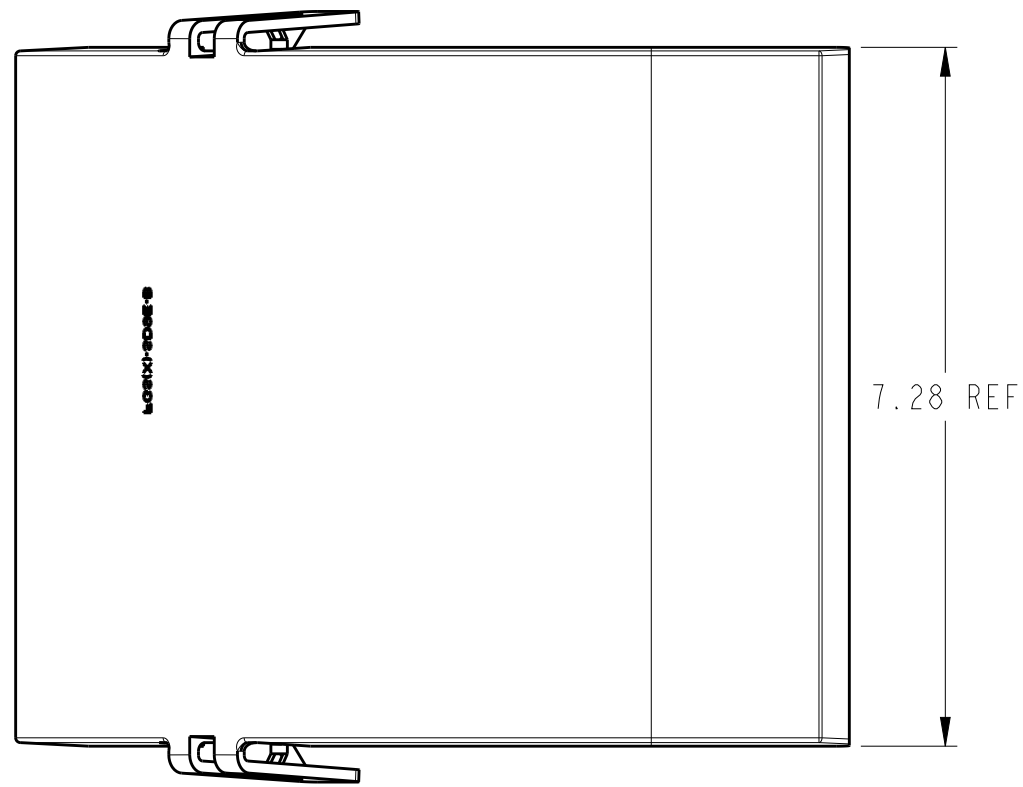


REV	MCO	DWN	DATE
A	40018453MCO	CA	01-DEC-14



NOTES:

- MATERIAL IS SELF EXTINGUISHING WITH A UL 94 RATING OF V-0.

FGSB-SD9E-B	BLACK
FGS-SD9E-B	YELLOW
PRODUCT NUMBER	COLOR

INFORMATION ON THIS DOCUMENT IS PROPRIETARY TO TE CONNECTIVITY AND SHALL NOT BE USED, COPIED, REPRODUCED OR DISCLOSED IN WHOLE OR IN PART WITHOUT WRITTEN CONSENT OF TE CONNECTIVITY.		TITLE COVER 90° DOWN 4X6 FGS INST DRW	
ALL DIMS AND TOLERANCES ARE INCHES UNLESS OTHERWISE SPECIFIED	.XX:±REF .XXX:±REF ANGULAR:±REF	C SIZE	DRAWING NUMBER 300100107427
DO NOT SCALE DRAWING		ENGR: HECTOR URENO DWN: CARLOS ARROYO	A REV SHT. 1 OF 2





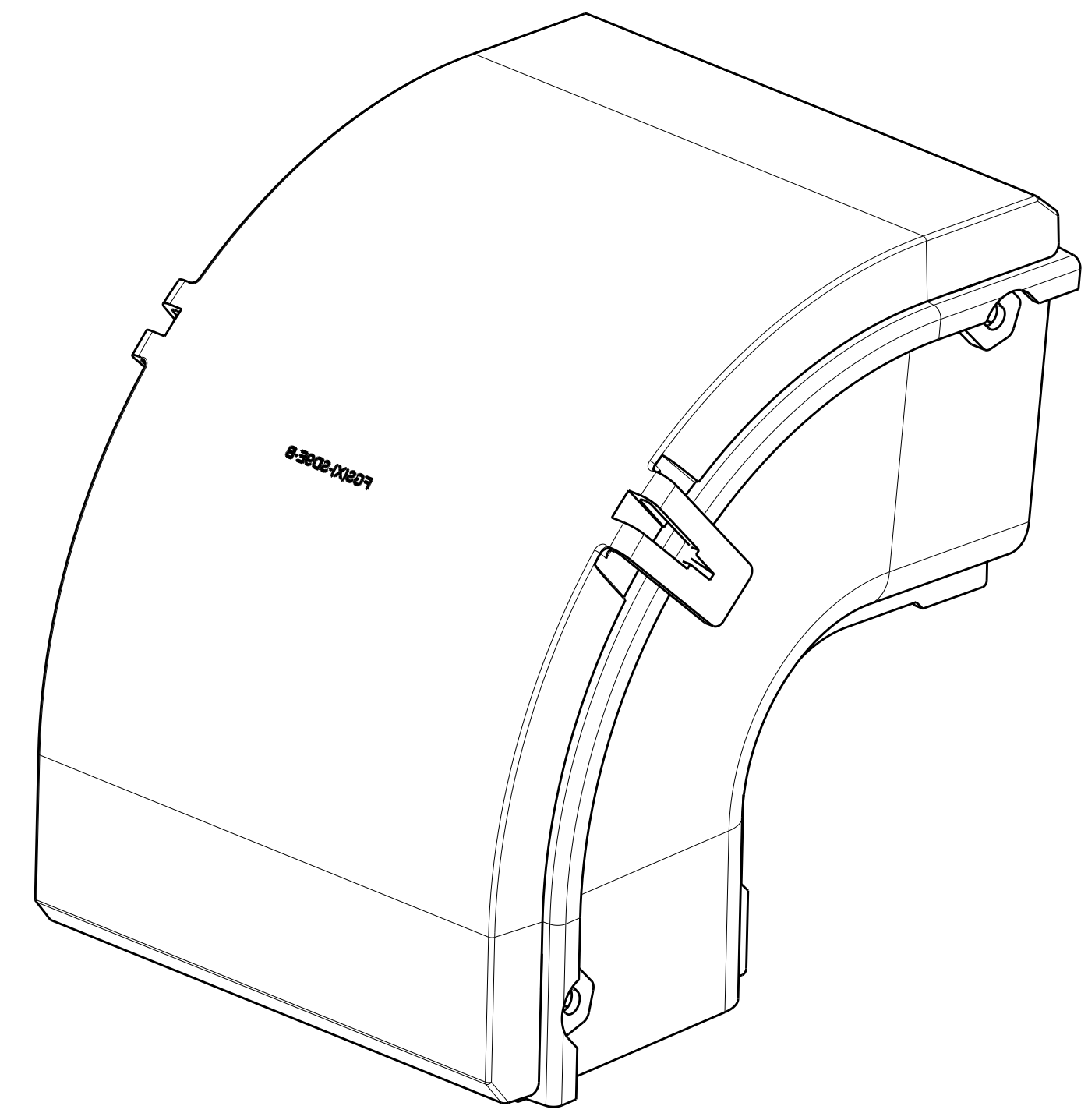
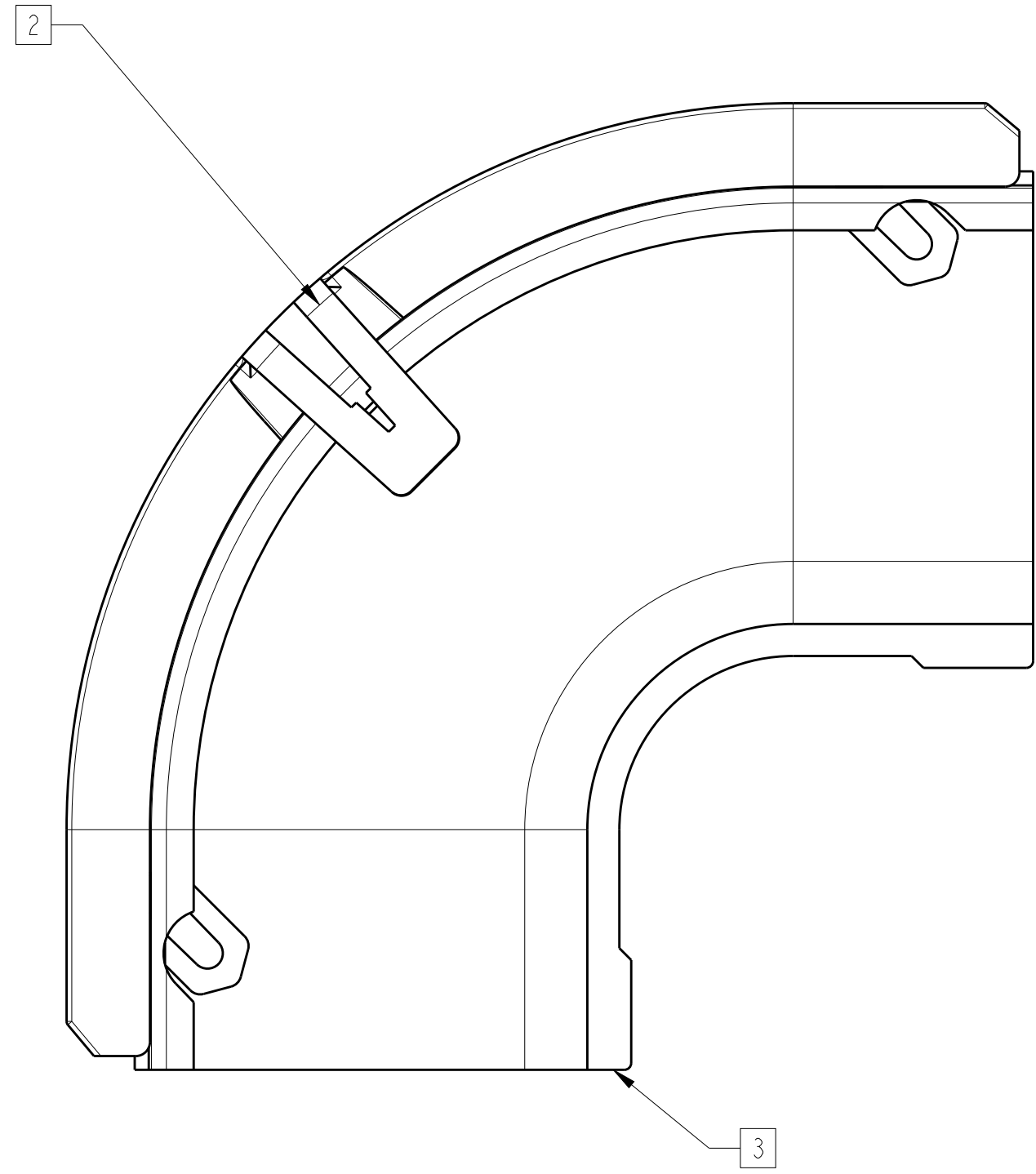
**DIMENSIONS IN INCHES
THIRD ANGLE PROJECTION**

A

B

C

D



NOTES:

- 2 PLACE THE COVER ON THE ELBOW AND APPLY PRESSURE UNTIL THE CLIP SECURES THE COVER IN PLACE.
- 3 ELBOW NOT INCLUDED WITH KIT.



<small>INFORMATION ON THIS DOCUMENT IS PROPRIETARY TO TE CONNECTIVITY AND SHALL NOT BE USED, COPIED, REPRODUCED OR DISCLOSED IN WHOLE OR IN PART WITHOUT WRITTEN CONSENT OF TE CONNECTIVITY.</small>		<small>TITLE</small> COVER 90° DOWN 4X6 FGS INST DRW	
<small>ALL DIMS AND TOLERANCES ARE INCHES UNLESS OTHERWISE SPECIFIED</small>	<small>.XX:±REF .XXX:±REF ANGULAR:±REF</small>	<small>C SIZE</small>	<small>DRAWING NUMBER</small> 300100107427
<small>DO NOT SCALE DRAWING</small>		<small>ENGR: HECTOR URENO DWN: CARLOS ARROYO</small>	<small>SHT. 2 OF 2</small>



**DIMENSIONS IN INCHES
 THIRD ANGLE PROJECTION**

A

B

C