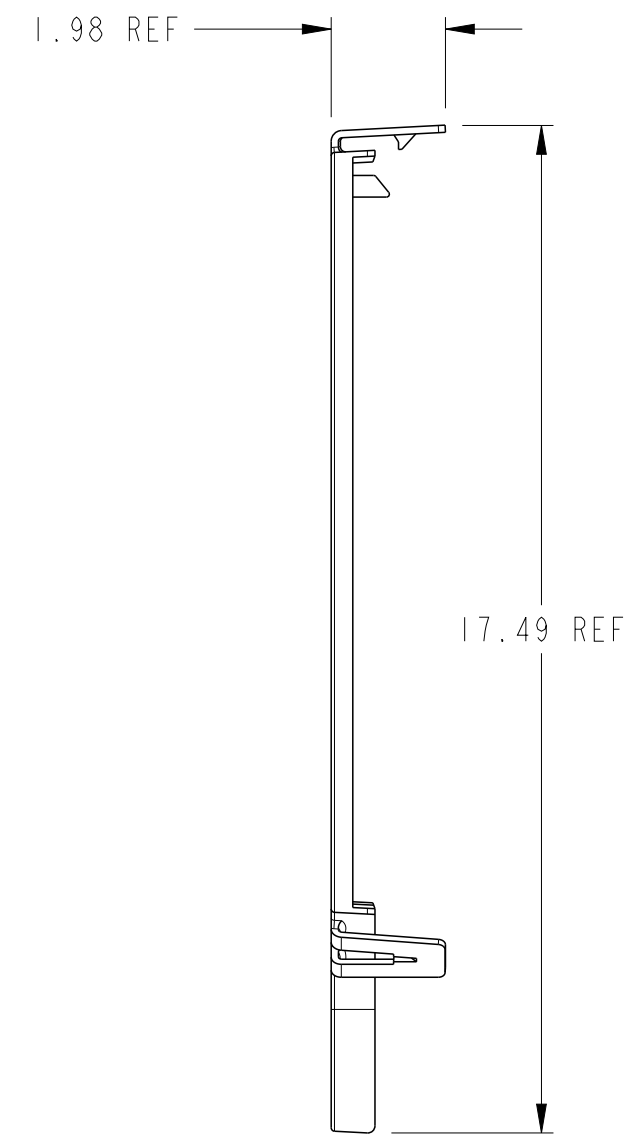
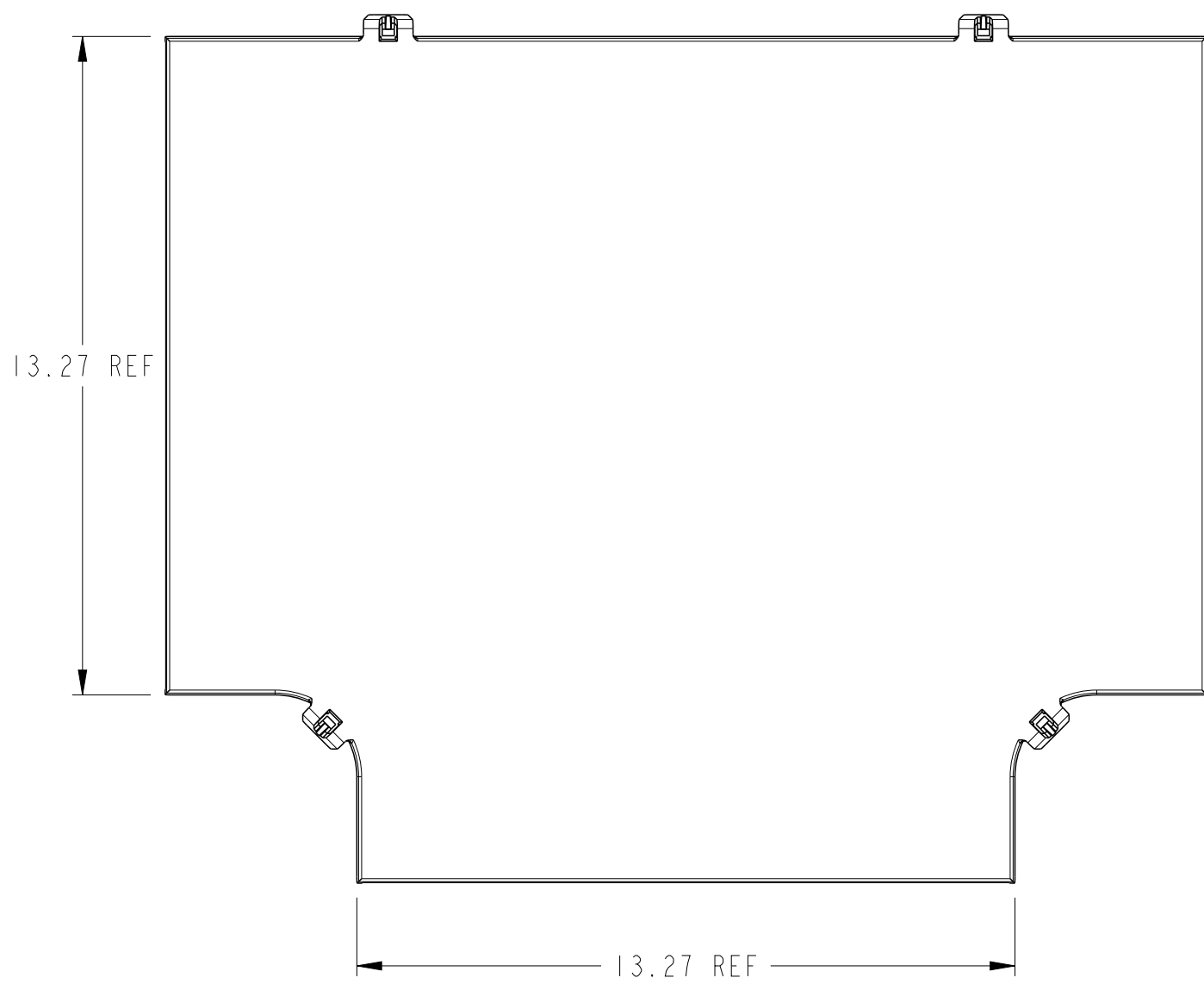
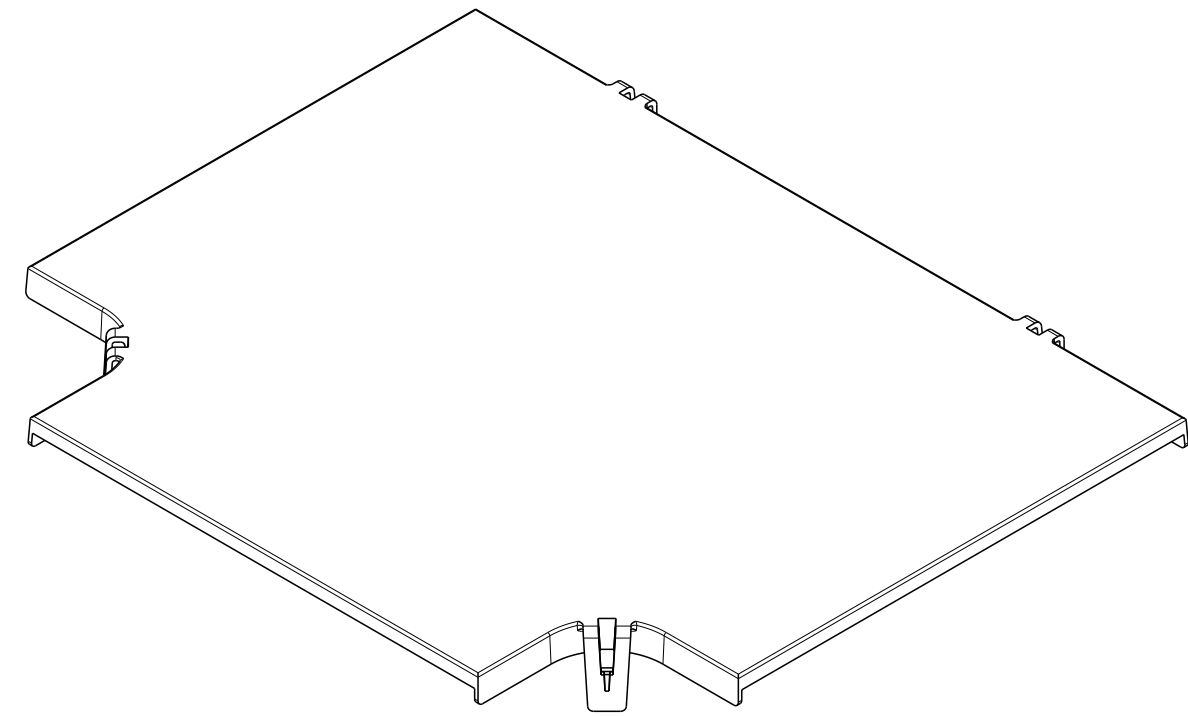


REV	MCO	DWN	DATE
A	40018453MCO	CA	01-DEC-14



NOTES:

- MATERIAL IS SELF EXTINGUISHING WITH A UL 94 RATING OF V-0.



INFORMATION ON THIS DOCUMENT IS PROPRIETARY TO TE CONNECTIVITY AND SHALL NOT BE USED, COPIED, REPRODUCED OR DISCLOSED IN WHOLE OR IN PART WITHOUT WRITTEN CONSENT OF TE CONNECTIVITY.

ALL DIMS AND TOLERANCES ARE INCHES UNLESS OTHERWISE SPECIFIED

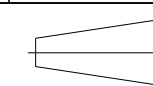
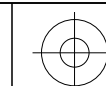
DO NOT SCALE DRAWING

TITLE COVER, TEE, 4X12 FGS INST DRW

DRAWING NUMBER 300100107429

ENGR: HECTOR URENO DWN: CARLOS ARROYO SHT. 1 OF 2

FGSB-SHRT-F	BLACK
FGS-SHRT-F	YELLOW
PRODUCT NUMBER	COLOR



**DIMENSIONS IN INCHES
THIRD ANGLE PROJECTION**

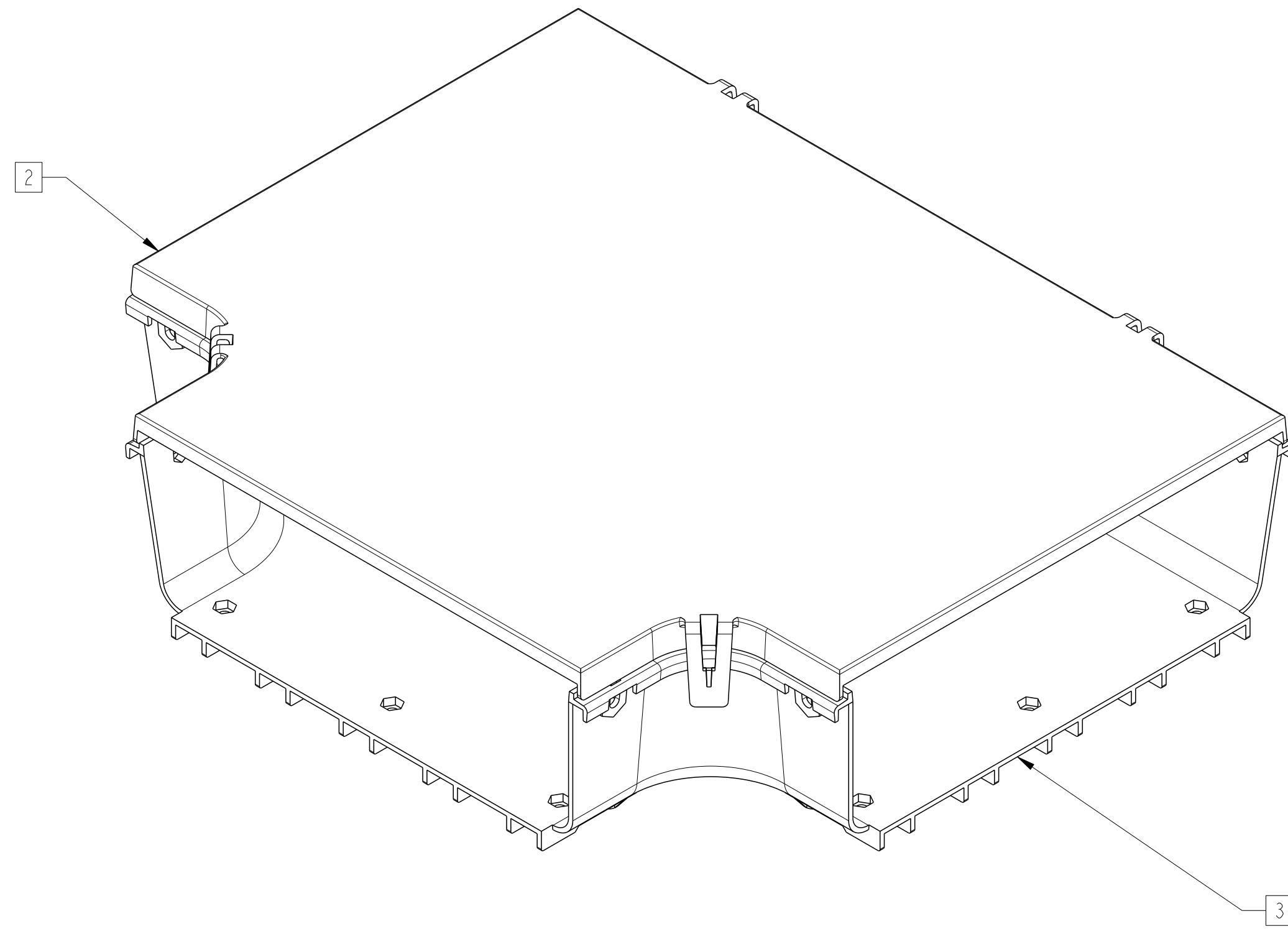
A

B

C

D

COVER ASSEMBLY



NOTES:

- 2 PLACE THE COVER ON THE TEE AND APPLY PRESSURE UNTIL THE CLIP SECURES THE COVER IN PLACE.
- 3 NOT INCLUDED WITH KIT.



INFORMATION ON THIS DOCUMENT IS PROPRIETARY TO TE CONNECTIVITY AND SHALL NOT BE USED, COPIED, REPRODUCED OR DISCLOSED IN WHOLE OR IN PART WITHOUT WRITTEN CONSENT OF TE CONNECTIVITY.		TITLE COVER, TEE, 4X12 FGS INST DRW	
ALL DIMS AND TOLERANCES ARE INCHES UNLESS OTHERWISE SPECIFIED	.XX:±REF .XXX:±REF ANGULAR:±REF	C SIZE	DRAWING NUMBER 300100107429
DO NOT SCALE DRAWING		ENGR: HECTOR URENO DWN: CARLOS ARROYO	A REV SHT. 2 OF 2

DIMENSIONS IN INCHES
THIRD ANGLE PROJECTION

A

B

C

1

2

3

4

1

2

3

4