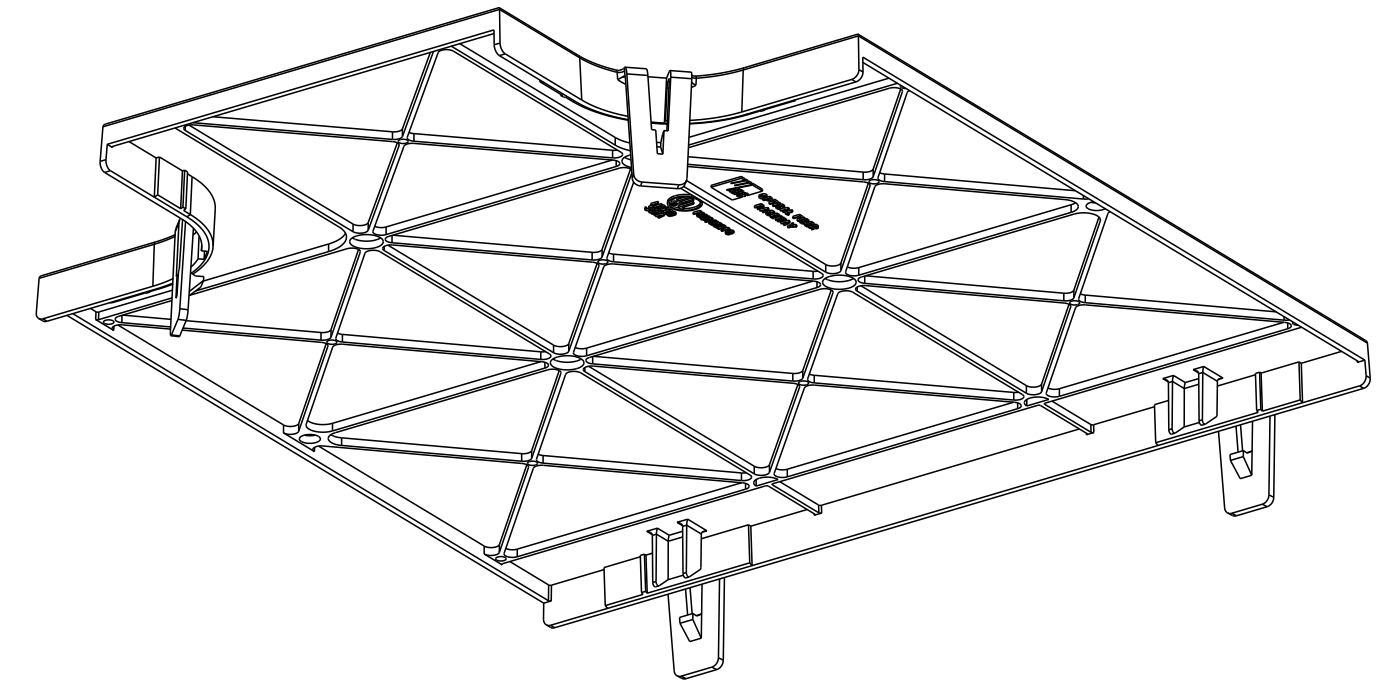
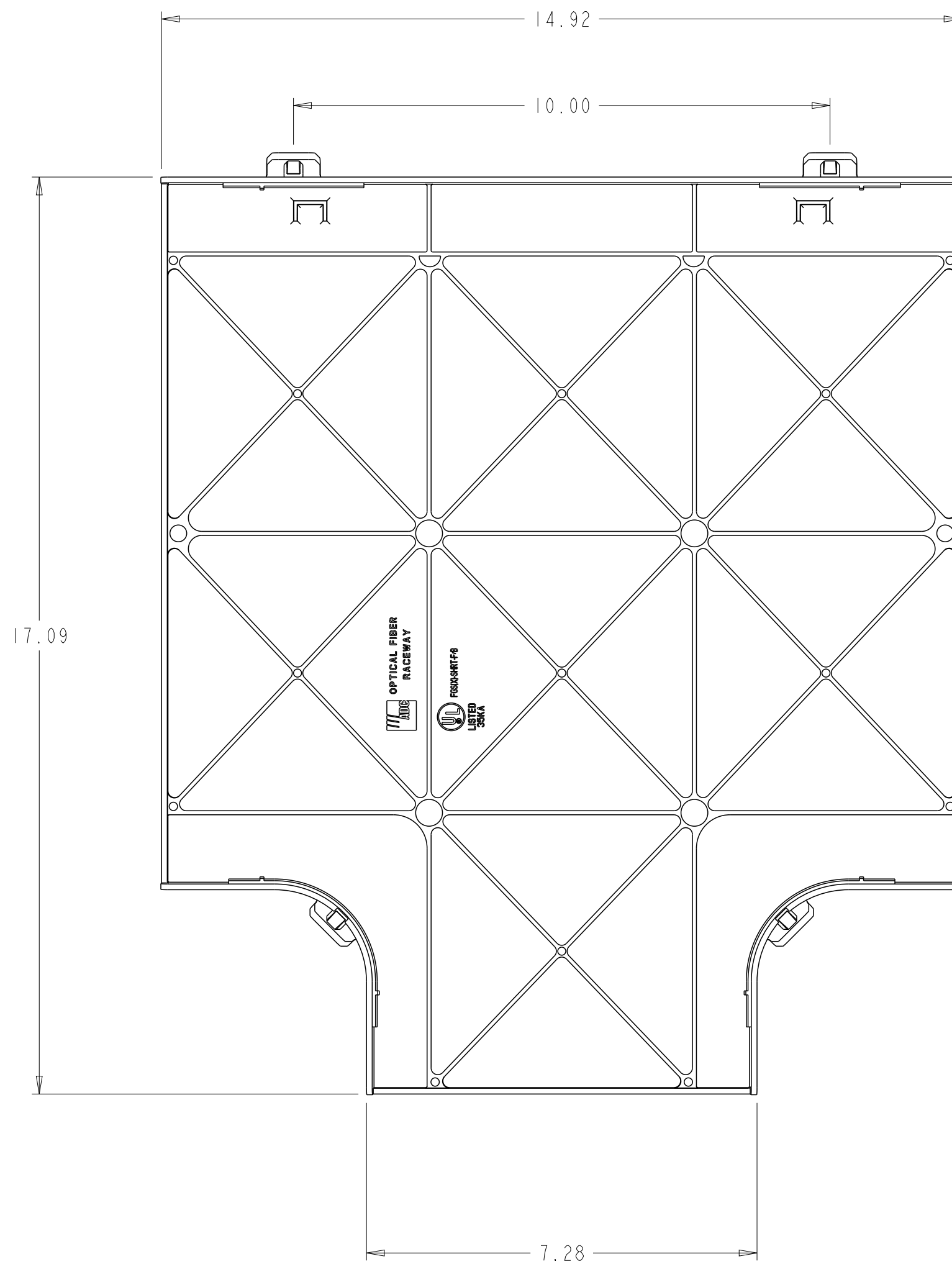


REV	MCO	DWN	DATE
A	40018453MCO	OAVL	01-DEC-14



**NOTES:**

- MATERIAL IS SELF EXTINGUISHING WITH A UL 94 RATING OF V-0.

FGSB-SHRT-F/B	BLACK
FGS-SHRT-F/B	YELLOW
<b>CATALOG NUMBER</b>	<b>COLOR</b>



INFORMATION ON THIS DOCUMENT IS PROPRIETARY TO TE CONNECTIVITY AND SHALL NOT BE USED, COPIED, REPRODUCED OR DISCLOSED IN WHOLE OR IN PART WITHOUT WRITTEN CONSENT OF TE CONNECTIVITY.

ALL DIMS AND TOLERANCES .XX:±REF ARE INCHES UNLESS .XXX:±REF OTHERWISE SPECIFIED ANGULAR:±REF

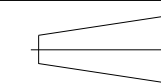
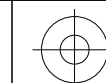
DO NOT SCALE DRAWING

ENGR: HECTOR URENO  
DWN: OMAR A. VALDEZ

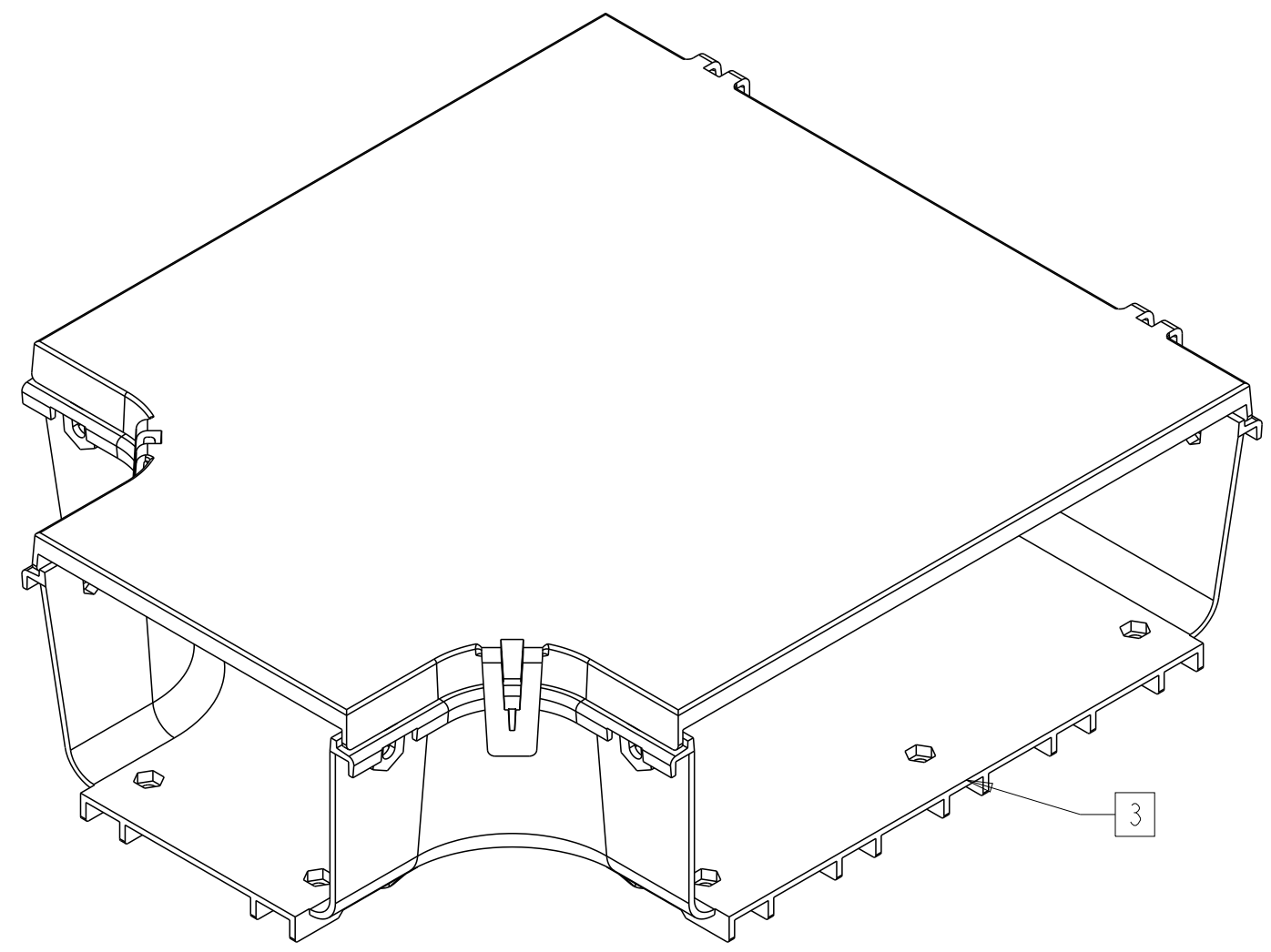
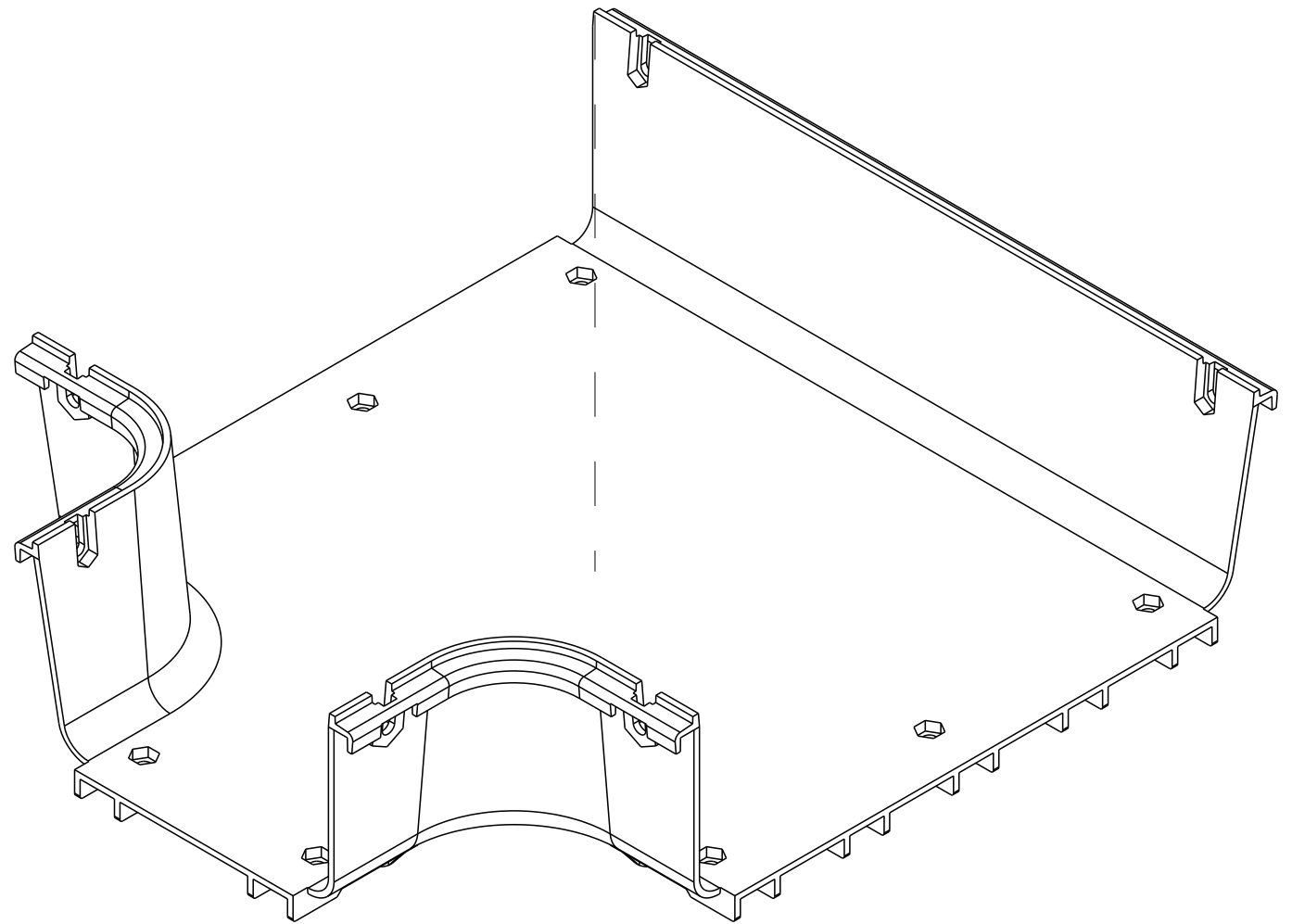
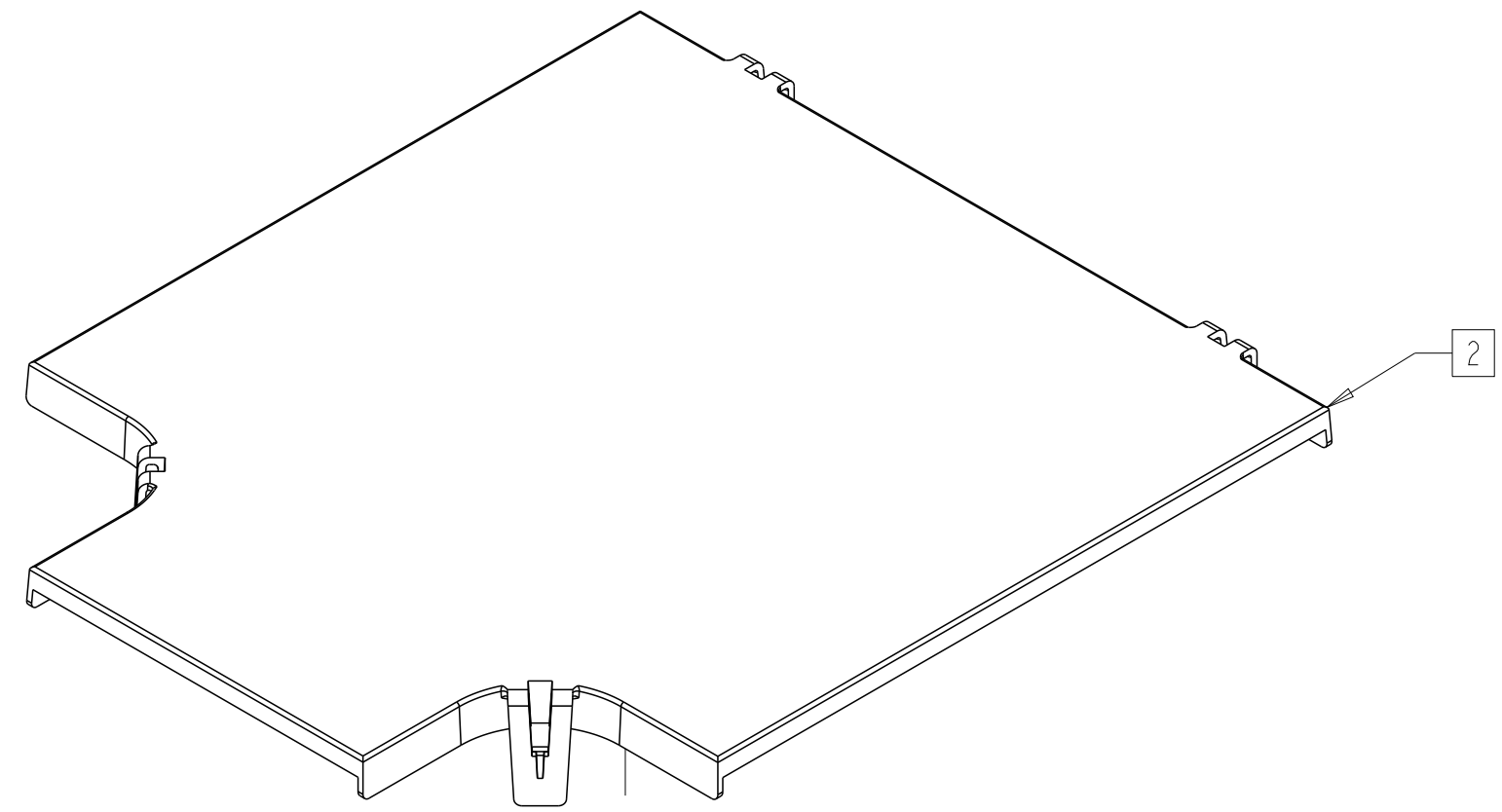
TITLE COVER TEE, 4X12/4X6 EXIT (INSTALLATION DRW)

DRAWING NUMBER 300100107425

SHT. 1 OF 2



**DIMENSIONS IN INCHES  
THIRD ANGLE PROJECTION**



COVER ASSEMBLY

NOTES:

2 PLACE THE COVER ON THE TEE AND APPLY PRESSURE UNTIL THE CLIP SECURES THE COVER IN PLACE.

3 NOT INCLUDED WITH KIT.



<small>INFORMATION ON THIS DOCUMENT IS PROPRIETARY TO TE CONNECTIVITY AND SHALL NOT BE USED, COPIED, REPRODUCED OR DISCLOSED IN WHOLE OR IN PART WITHOUT WRITTEN CONSENT OF TE CONNECTIVITY.</small>		<small>TITLE</small> COVER TEE, 4X12/4X6 EXIT (INSTALLATION DRW)	
<small>ALL DIMS AND TOLERANCES ARE INCHES UNLESS OTHERWISE SPECIFIED</small>	<small>.XX:±REF .XXX:±REF ANGULAR:±REF</small>	<small>C SIZE</small>	<small>DRAWING NUMBER</small> 300100107425
<small>DO NOT SCALE DRAWING</small>		<small>ENGR: HECTOR URENO DWN: OMAR A. VALDEZ</small>	<small>A REV</small> SHT. 2 OF 2

DIMENSIONS IN INCHES  
THIRD ANGLE PROJECTION