



# Three-Tier Cable Clamp Kit (OSP-CLPFEC-LG) Installation Instructions

ADCP-93-080 • Issue 3 • 6/2008

Content	Page
<b>INTRODUCTION</b> .....	<b>1</b>
<b>1 GENERAL</b> .....	<b>2</b>
<b>2 INSTALLATION</b> .....	<b>4</b>
<b>2.1 One Cable Per Entry Port With Possible Future Cable Addition (Figure 2A)</b> .....	<b>4</b>
<b>2.2 Two Cables Per Entry Port (Figure 2B)</b> .....	<b>5</b>
<b>2.3 Three Cables Per Entry Port (Figure 2C)</b> .....	<b>5</b>
<b>3 CUSTOMER INFORMATION AND ASSISTANCE</b> .....	<b>6</b>

## INTRODUCTION

These instructions provide procedures for installing cable clamps in a stacked (Three Tier) arrangement. Up to three cable clamps can be assembled together for securing up to three cables in a Fiber Entrance Cabinet (FEC).

## Revision History

ISSUE	DATE	REASON FOR CHANGE
1	05/1997	Original.
1	05/1999	Updated to current format (1999).
1	06/2008	Updated to current format (2007). Note added to not remove spacer brackets when installing cable. Sequence of steps changed in installation procedures.

## Related Publications

Listed below are related manuals and their publication numbers. Publications can be downloaded from the ADC web site (adc.com).

Title/Description	ADCP Number
Fiber Entrance Cabinet (FEC) User Manual	93-031

## Trademark Information

ADC and ADC Telecommunications are registered trademarks of ADC Telecommunications, Inc.

## 1 GENERAL

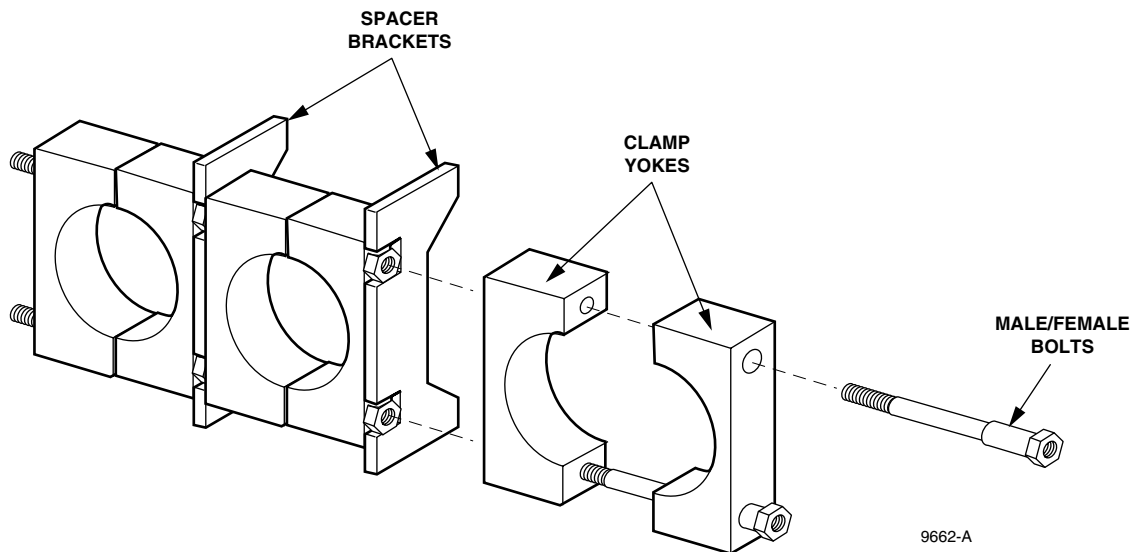
The Three Tier Clamp kit (OSP-CLPFEC-LG) is designed for use in the Fiber Entrance Cabinet (FEC). The FEC uses a water resistant grommet with three cutouts to accommodate multiple and various sized cables in each entry port. The OSP-CLPFEC-LG kit covers cable with outside diameters from 0.80 inch to 1.2 inches (20 mm to 30 mm). [Table 1](#) lists the kit components.

**Table 1. OSP-CLPFEC Kit Components**

ITEM	QUANTITY
Split Grommets (0.80, 0.90, 1.00 and 1.10 inch)	3 each size
Clamp Yokes	6
Male/Female bolt	6
Spacer bracket	2

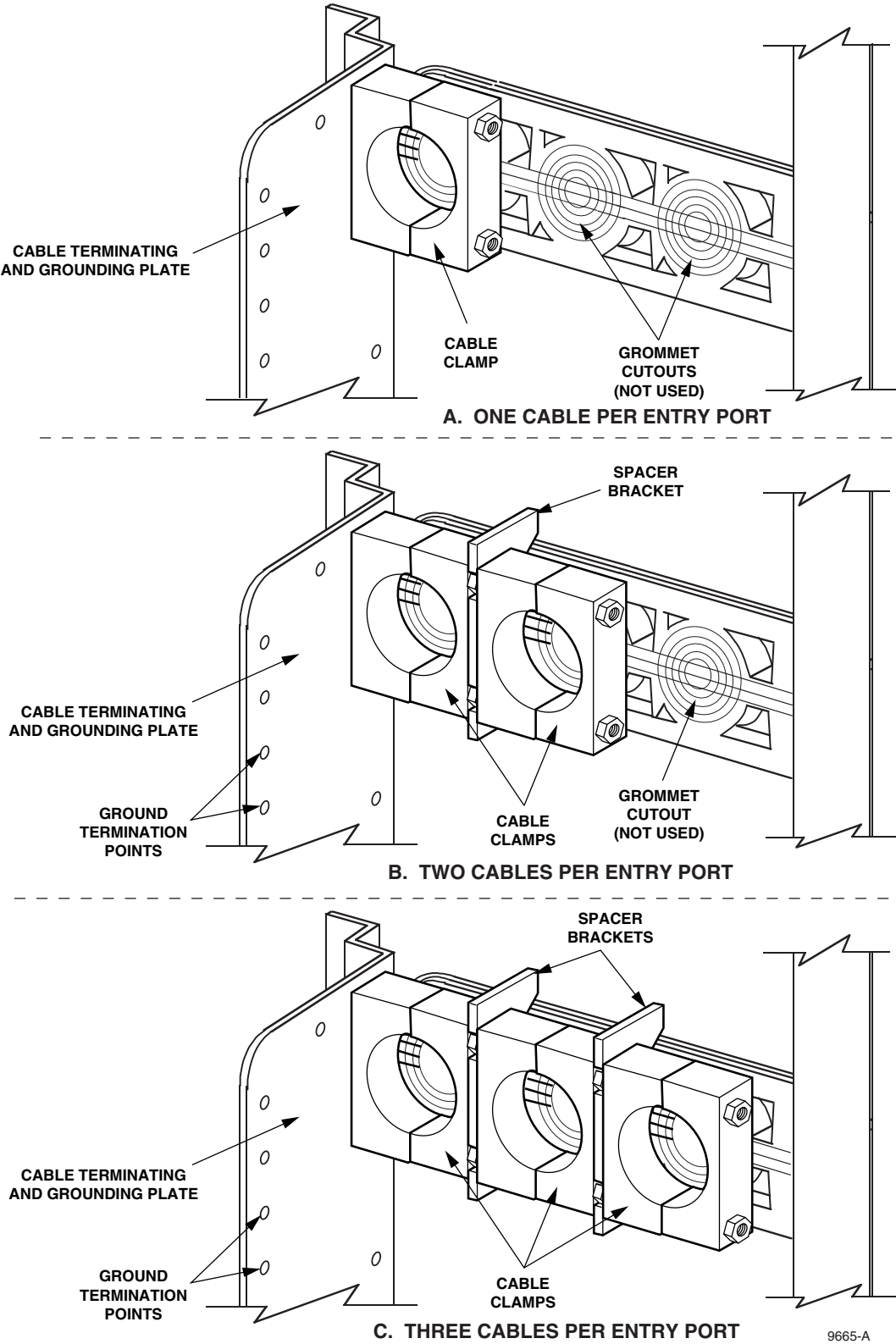
The OSP-CLPFEC LG kit uses special male/female bolts and spacer plates to provide for three tier stacking. Male/female bolts thread into each other to accomplish the stacking. The spacer plates have two cutout slots the size of the bolt head. The slots keep the bolts from turning as the next bolt is threaded into it.

[Figure 1](#) shows the kit components in an exploded view.



**Figure 1. Three-Tier Cable Clamp Exploded View**

[Figure 2](#) shows the kit components in the configurations used for one, two, and three cables per entry port.



**Figure 2. Three-Tier Clamp Configurations**

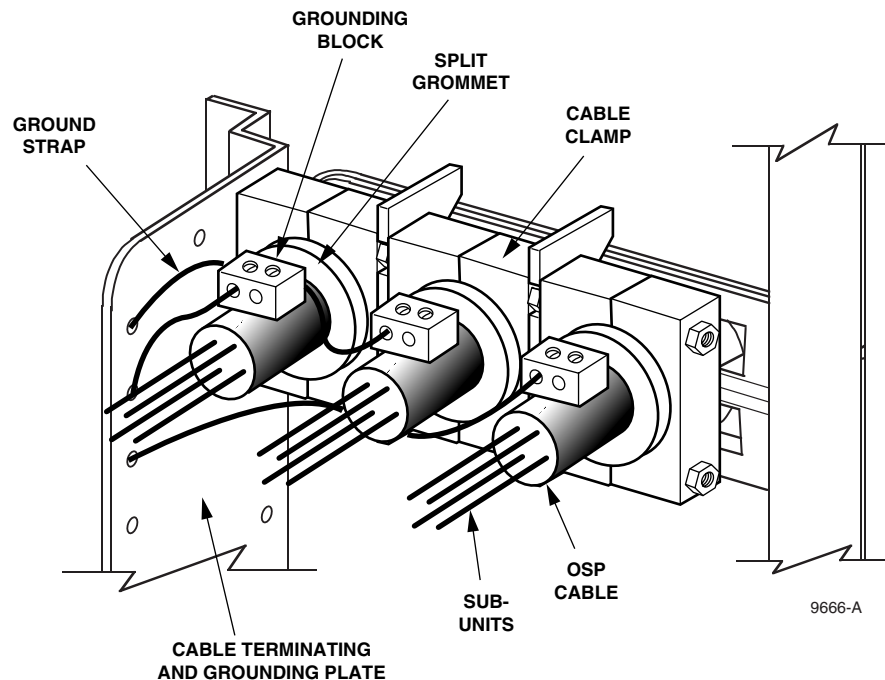
## 2 INSTALLATION

The cable clamps are installed after the cable ground clamp and moisture blocking has been completed. The cable entry port grommet is removed for the ground clamp and moisture blocking procedures. After those operations are complete, install the cable clamps as described below.

### 2.1 One Cable Per Entry Port With Possible Future Cable Addition (Figure 2A)

Use this procedure to install the first cable.

1. Cut out an appropriate size opening in the grommet that is the closest in size to the outside diameter for the cable being installed.
2. Insert the grommet into the cable entry slot. Start with the top groove first and press the grommet into the slot.
3. Attach a set of clamp yokes to the cable termination and grounding plate with male/female bolts. Thread in the top bolt only at this time. Do not tighten.
4. Route the cable through the hole cut in the grommet and into the cable clamp. Use split grommets as required to assure a tight fit. Thread in the lower bolt and tighten both bolts.
5. Connect the ground straps to the cable terminating and grounding plate as shown in Figure 3.



**Figure 3. Three-Tier Clamp**

## 2.2 Two Cables Per Entry Port (Figure 2B)

Use this procedure to install a second cable.

1. Cut out the appropriate size openings in the grommet that is the closest in size to the outside diameter for the cable being installed.
2. Attach the second set of clamp yokes to the clamp already in position.
  - a. Place the spacer bracket over the bolt heads of the first clamp. Ensure the bolt heads are aligned to allow the bracket to slide over the bolt heads.
  - b. Thread a male/female bolt through the top holes of the second set of clamp yokes into the top male/female bolt of the first clamp. Do not tighten at this time.
3. Route the cable through the hole cut in the grommet and into the cable clamp. Use split grommets as required to assure a tight fit. Thread the lower bolt through the bottom holes of the clamp yokes. Check that the spacer bracket is in place and tighten both bolts.

► **Note:** Do not remove the spacer bracket after the bolts are tightened.

4. Connect the ground straps to the cable terminating and grounding plate as shown in [Figure 3](#).

## 2.3 Three Cables Per Entry Port (Figure 2C)

Use this procedure to install a third cable.

1. Cut out the appropriate size openings in the grommet that is the closest in size to the outside diameter for the cable being installed.
2. Attach the third set of clamp yokes to the clamp already in position.
  - a. Place the spacer bracket over the bolt heads of the second clamp. Ensure the bolt heads are aligned to allow the bracket to slide over the bolt heads.
  - b. Thread a male/female bolt through the top holes of the third set of clamp yokes into the top male/female bolt of the second clamp. Do not tighten at this time.
3. Route the cable through the hole cut in the grommet and into the cable clamp. Use split grommets as required to assure a tight fit. Thread the lower bolt through the bottom holes of the clamp yokes. Check that the spacer bracket is in place and tighten both bolts.

► **Note:** Do not remove the spacer bracket after the bolts are tightened.

4. Connect the ground straps to the cable terminating and grounding plate as shown in [Figure 3](#).

### 3 CUSTOMER INFORMATION AND ASSISTANCE



**PHONE:**

**U.S.A. or CANADA**

Sales: ..... 1-800-366-3891  
Extension ..... 73000  
Technical Assistance: ..... 1-800-366-3891  
Connectivity Extension: ..... 73475  
Wireless Extension: ..... 73476

**EUROPE**

Sales Administration: ..... +32-2-712-65 00  
Technical Assistance: ..... +32-2-712-65 42

**EUROPEAN TOLL FREE NUMBERS**

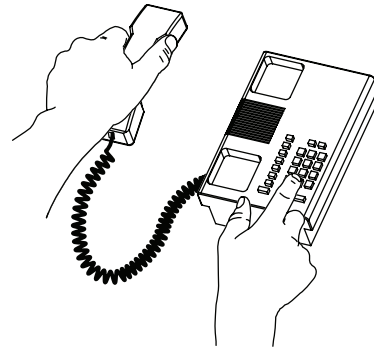
Germany: ..... 0180 2232923  
UK: ..... 0800 960236  
Spain: ..... 900 983291  
France: ..... 0800 914032  
Italy: ..... 0800 782374

**ASIA/PACIFIC**

Sales Administration: ..... +65-6294-9948  
Technical Assistance: ..... +65-6393-0739

**ELSEWHERE**

Sales Administration: ..... +1-952-917-3000  
Technical Assistance: ..... +1-952-917-3475



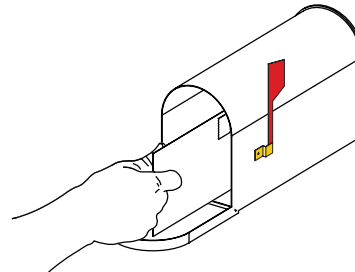
13944-Q

**WRITE:**

**ADC Telecommunications (S'PORE) PTE, LTD;**  
100 Beach Road, #18-01, Shaw Towers.  
Singapore 189702.

**ADC Telecommunications, INC**  
PO Box 1101,  
Minneapolis, MN 55440-1101, USA

**ADC European Customer Service, INC**  
Belgicastraat 2,  
1930 Zaventem, Belgium



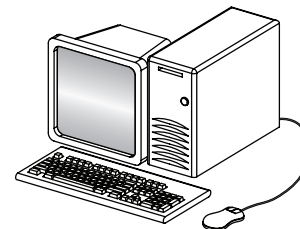
**PRODUCT INFORMATION AND TECHNICAL ASSISTANCE:**

[connectivity.tac@adc.com](mailto:connectivity.tac@adc.com)

[wireless.tac@adc.com](mailto:wireless.tac@adc.com)

[euro.tac@adc.com](mailto:euro.tac@adc.com)

[asiapacific.tac@adc.com](mailto:asiapacific.tac@adc.com)



**REPRINTS:**

PDF copies of manuals are available  
for downloading at the following link:

[www.adc.com/manuals](http://www.adc.com/manuals)

ADCP Number: **ADCP-93-080**

Contents herein are current as of the date of publication. ADC reserves the right to change the contents without prior notice. **In no event shall ADC be liable for any damages resulting from loss of data, loss of use, or loss of profits and ADC further disclaims any and all liability for indirect, incidental, special, consequential or other similar damages. This disclaimer of liability applies to all products, publications and services during and after the warranty period.**