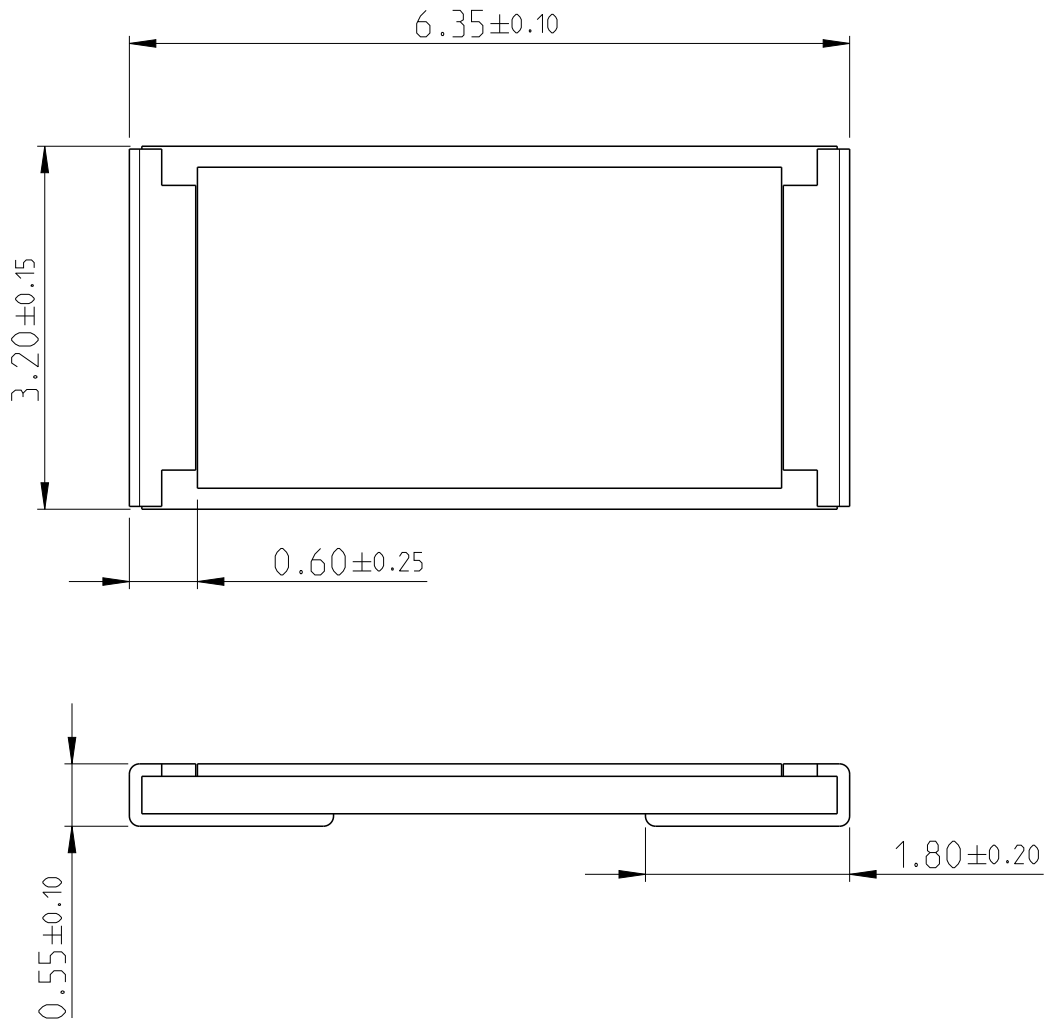
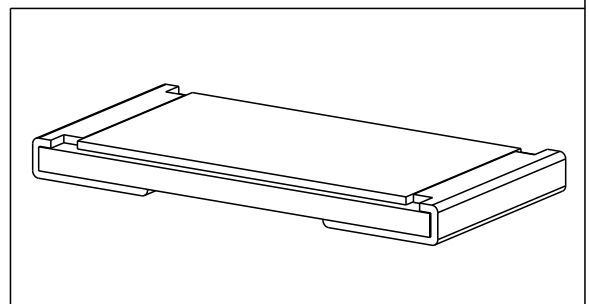
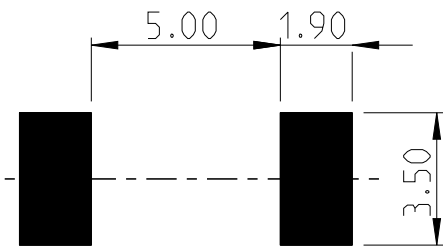


LOC	DIST	REVISIONS					
-	-	P	LTR	DESCRIPTION	DATE	DWN	APVD
		BB		ECR-13-014781	20SEP2013	KR	TN




FOR FURTHER INFORMATION SEE DATA SHEET FOR 3521 SERIES

RoHS Compliant



PDB LAYOUT PLAN

20
 RELEASED FOR PUBLICATION
 ALL RIGHTS RESERVED.
 THIS DRAWING IS UNPUBLISHED.
 BY -
 COPYRIGHT © 20

DIMENSIONS: mm	DWN DARSHAN MS	15MAR2012	MATERIAL	-	FINISH	-	
	CHK ALLAN P	15MAR2012	 TE Connectivity				
TOLERANCES UNLESS OTHERWISE SPECIFIED:	APVD STEPHEN.P	15MAR2012					NAME SMD POWER RESISTORS - TYPE 3521 SERIES
	0 PLC ±	PRODUCT SPEC	SIZE	CAGE CODE	DRAWING NO	RESTRICTED TO	
1 PLC ±0.5	-	-	A 4	00779	C-2176070	-	
2 PLC ±0.13	APPLICATION SPEC	-	Customer Drawing				
3 PLC ±0.013	-	WEIGHT	0.03806 Gram	SCALE	40:1	SHEET 1 OF 1	
4 PLC ±0.0001	-					REV	BB
ANGLES ±							

