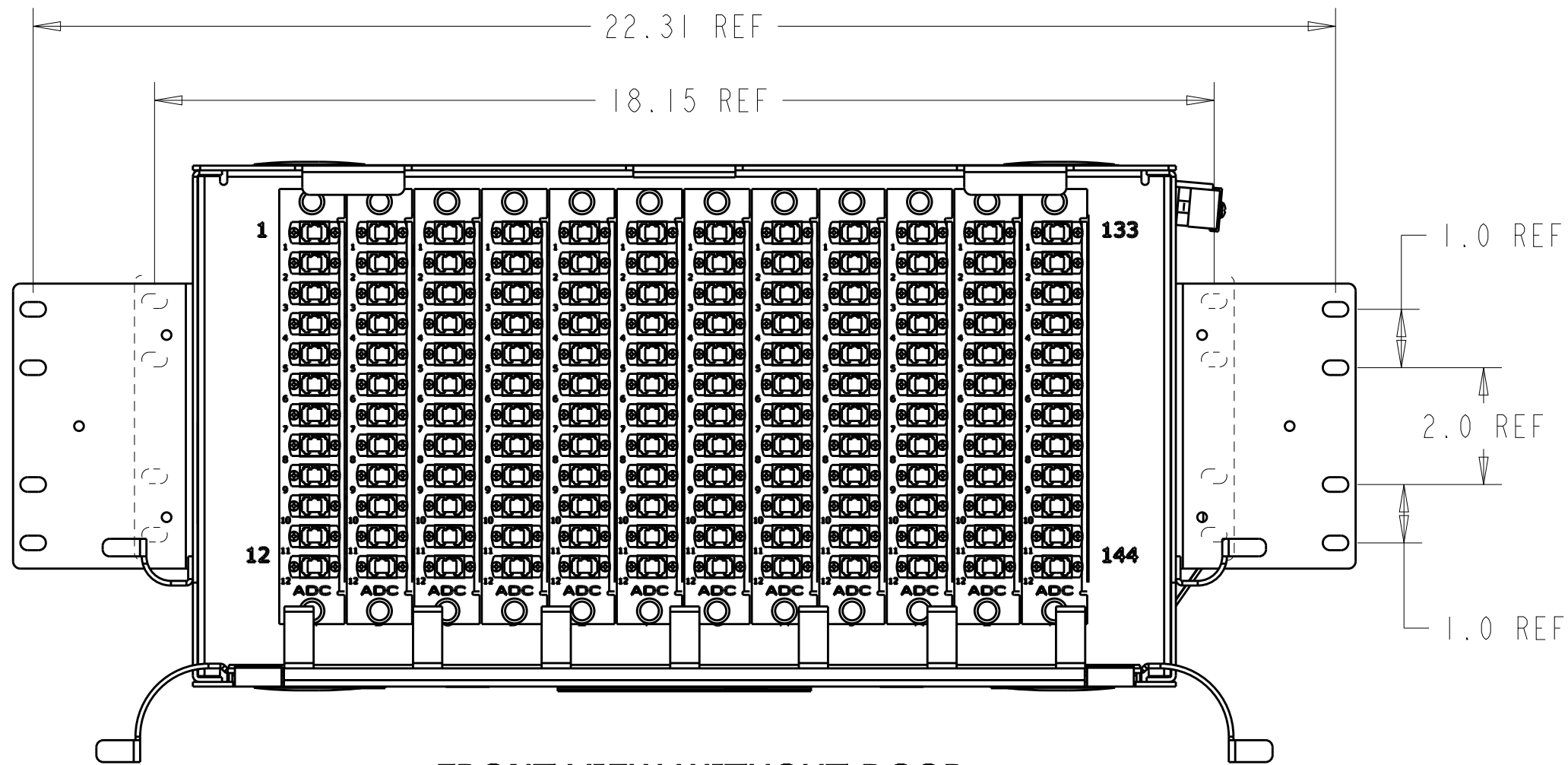
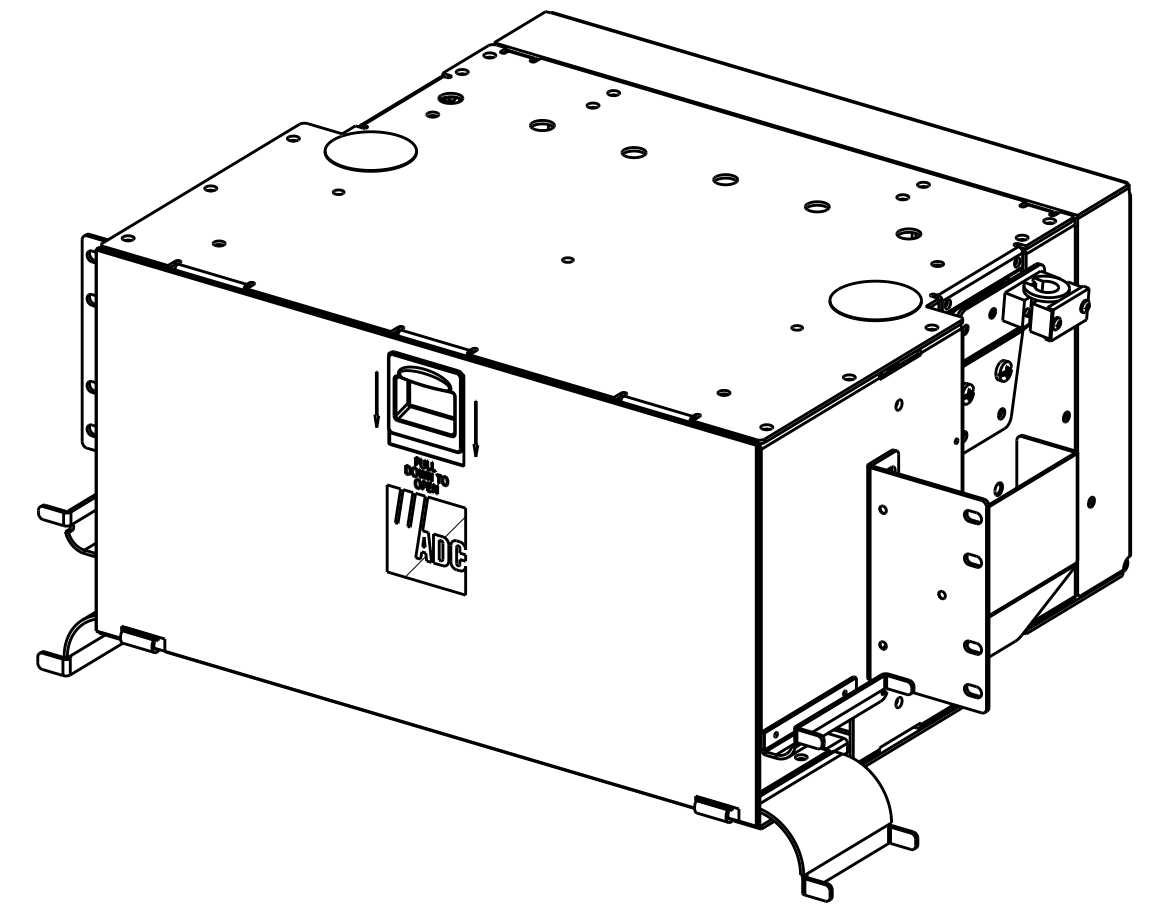
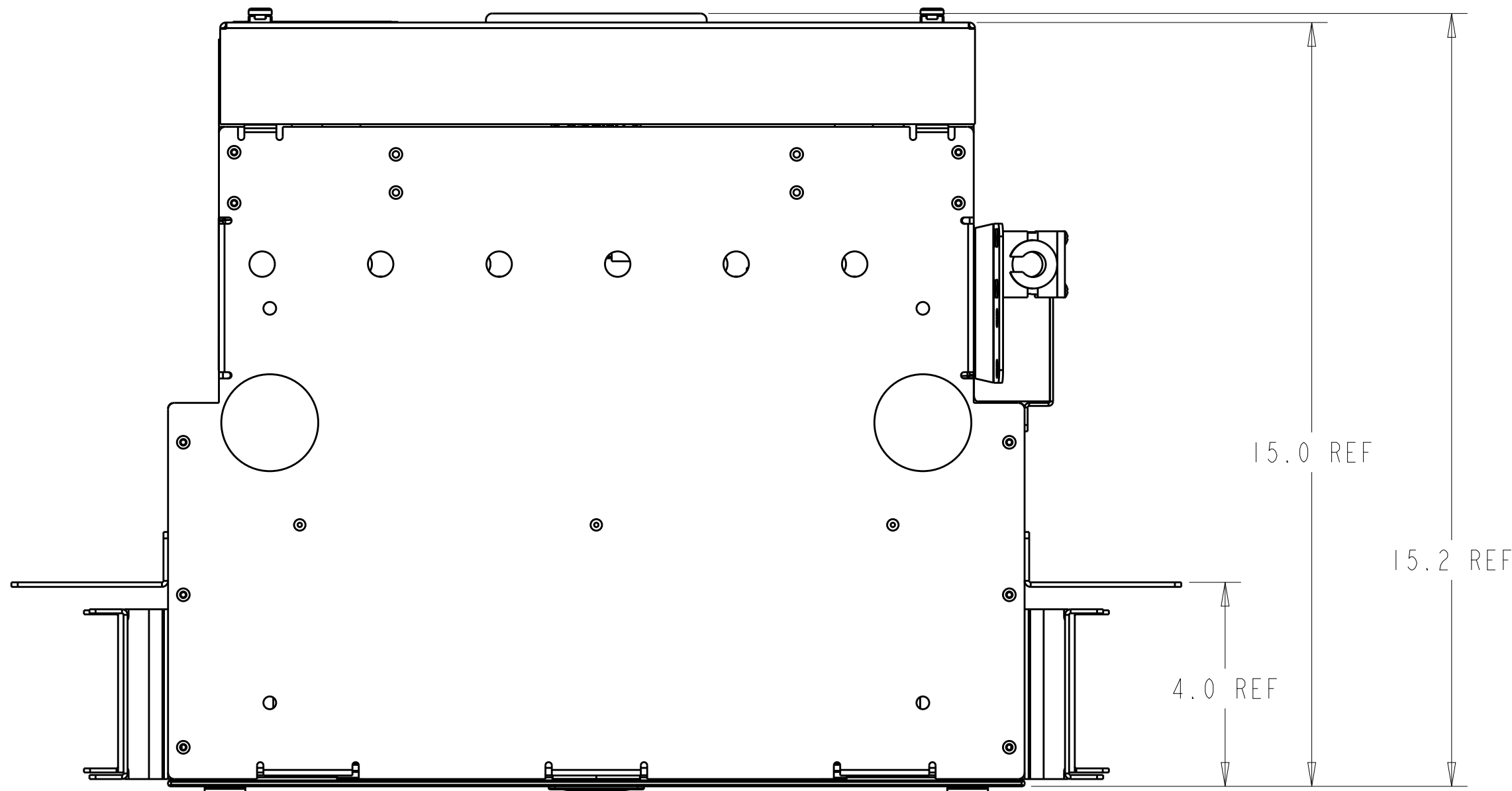
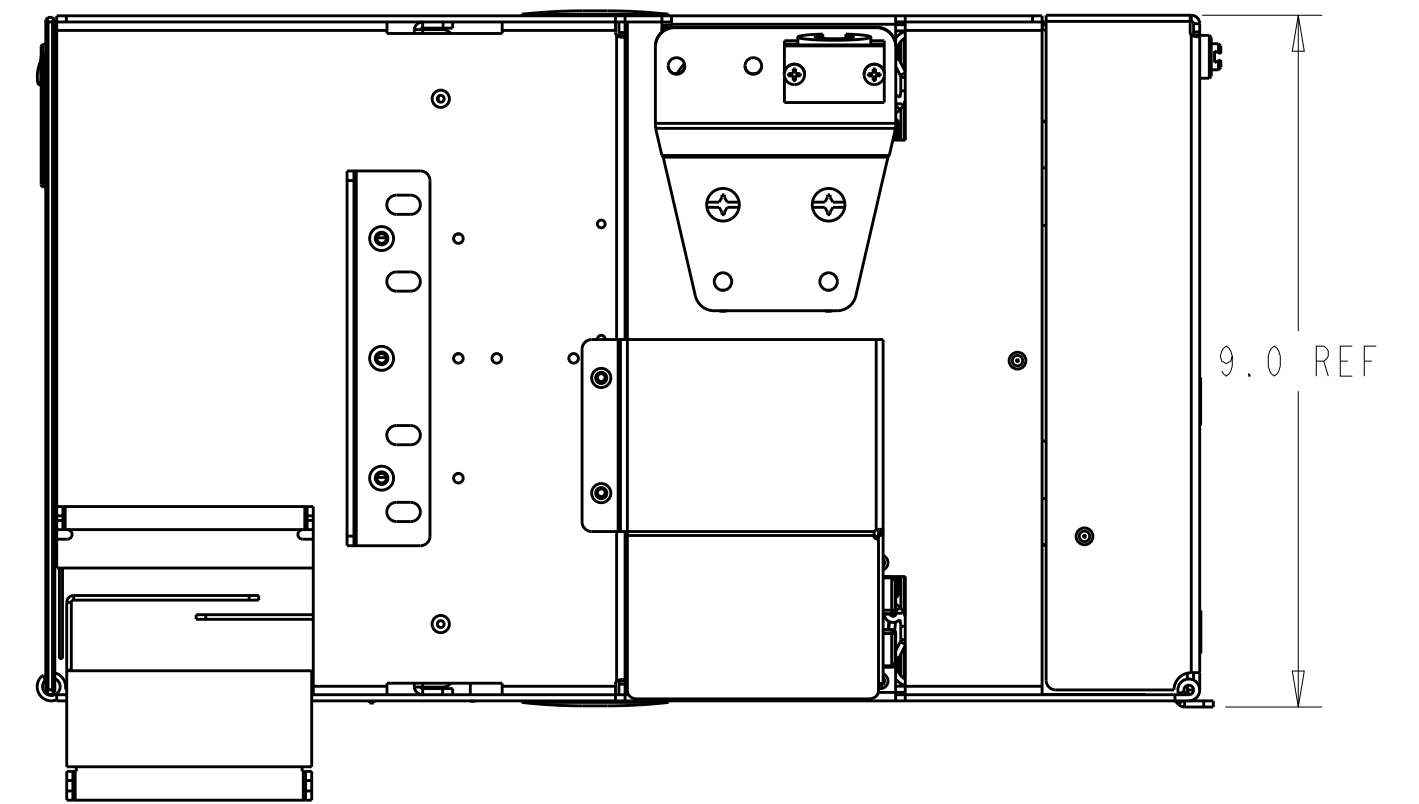


REV	MCO	DWN	DATE
F	40012102MCO	MAO	10-FEB-14
G	40020471MCO	JAJR	18-MAR-15



FRONT VIEW WITHOUT DOOR



LSX-TK5123-A-SPL	RIBBON	SMLC
LSX-T70002-A-SPL	NONE	SMSC
LSX-TK1122-A-SPL	STRANDED	SMLC
LSX-TM5123-A-SPL	RIBBON.	SMALC
LSX-TL1122-A-SPL	STRANDED	SMASC
LSX-T75123-A-SPL	RIBBON	SMSC
LSX-TL5123-A-SPL	RIBBON	SMASC
LSX-T71122-A-SPL	STRANDED	SMSC
PRODUCT NUMBER	FIBER TYPE	CONNECTOR STYLE

NOTES:

1. MOUNTING HARDWARE IS INCLUDED WITH UNIT.
2. UNIVERSAL MOUNTING BRACKETS ARE INCLUDED FOR A 19" OR 23" RACK MOUNT. (UNIT IS SHIPPED WITH THE BRACKETS IN THE 23" POSITION).



INFORMATION ON THIS DOCUMENT IS PROPRIETARY TO TE CONNECTIVITY AND SHALL NOT BE USED, COPIED, REPRODUCED OR DISCLOSED IN WHOLE OR IN PART WITHOUT WRITTEN CONSENT OF TE CONNECTIVITY.		TITLE 144 POS LSX CONN MOD WITH REAR SPLICING INSTALLATION DRAWING	
ALL DIMS AND TOLERANCES ARE INCHES UNLESS OTHERWISE SPECIFIED	.XX:±.020 .XXX:±.010 ANGULAR:±2°	C SIZE	DRAWING NUMBER 1221783_ADC
DO NOT SCALE DRAWING		ENGR: D. DERKS DWN: D. DERKS	G REV SHT. 1 OF 2

DIMENSIONS IN INCHES  
THIRD ANGLE PROJECTION

A

B

C

D

1

1

2

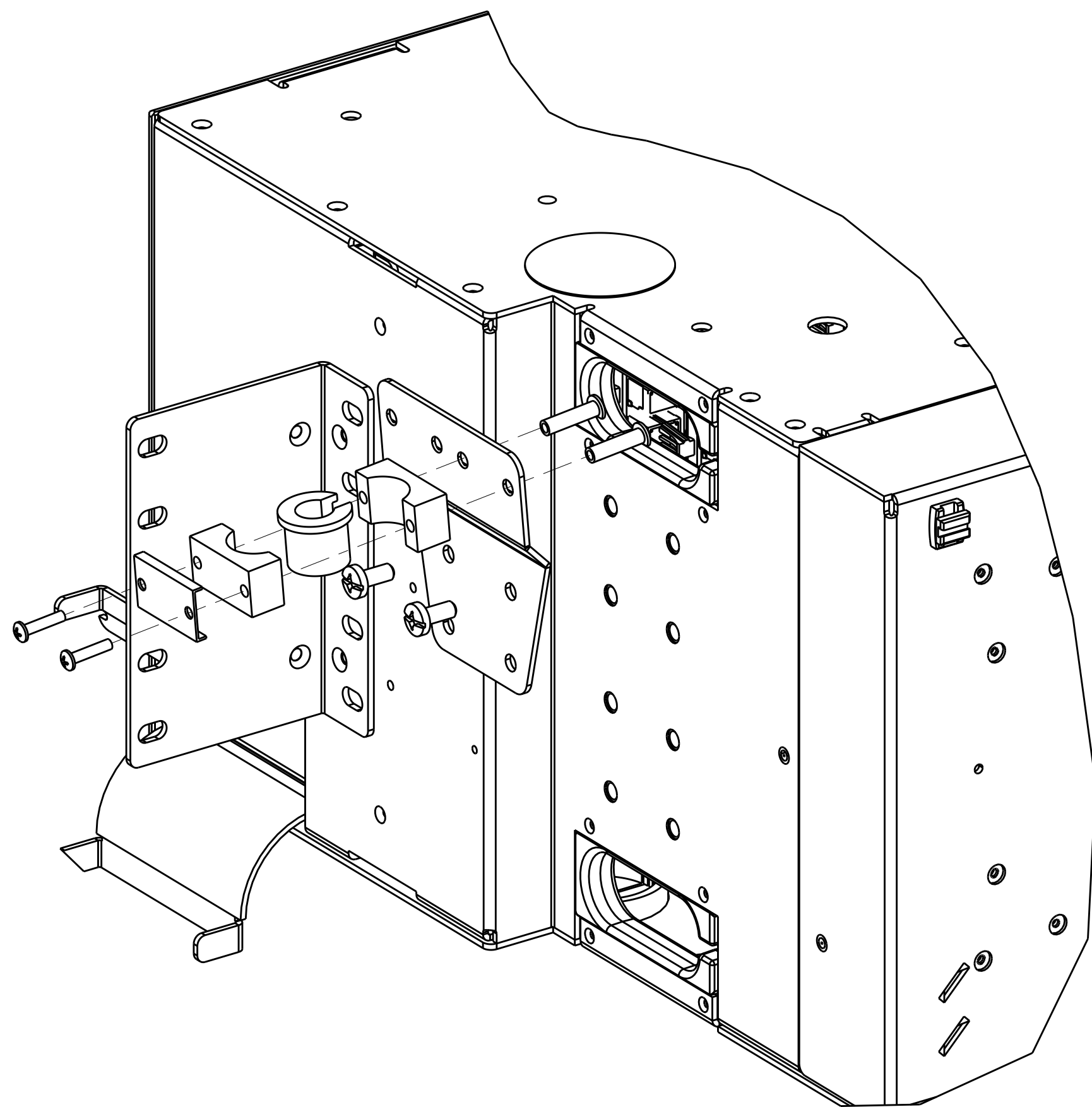
2

3

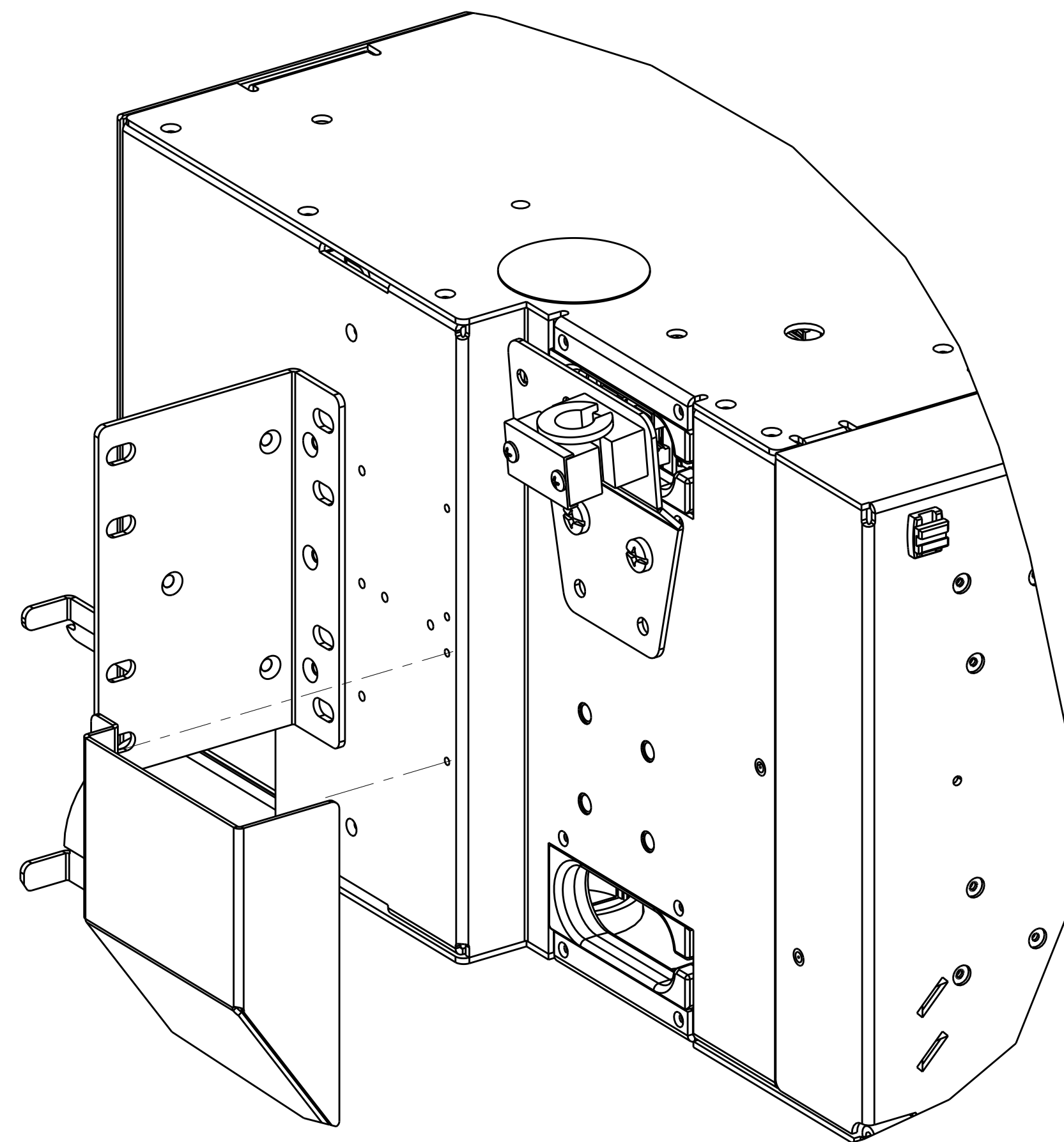
3

4

4



**CABLE CLAMP INSTALLATION**  
(ONE CLAMP SHIPPED WITH UNIT)



**CABLE SHIELD INSTALLATION**  
(TOP AND BOTTOM MOUNT AND PASS THROUGH SHIELDS SHIPPED WITH UNIT)



INFORMATION ON THIS DOCUMENT IS PROPRIETARY TO TE CONNECTIVITY AND SHALL NOT BE USED, COPIED, REPRODUCED OR DISCLOSED IN WHOLE OR IN PART WITHOUT WRITTEN CONSENT OF TE CONNECTIVITY.

ALL DIMS AND TOLERANCES .XX:±.020 ARE INCHES UNLESS .XXX:±.010 OTHERWISE SPECIFIED ANGULAR:±2°

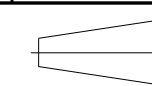
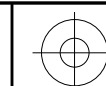
DO NOT SCALE DRAWING

ENGR: D. DERKS  
DWN: D. DERKS

TITLE 144 POS LSX CONN MOD WITH REAR SPLICING INSTALLATION DRAWING

DRAWING NUMBER 1221783\_ADC

SHT. 2 OF 2



**DIMENSIONS IN INCHES  
THIRD ANGLE PROJECTION**