

A

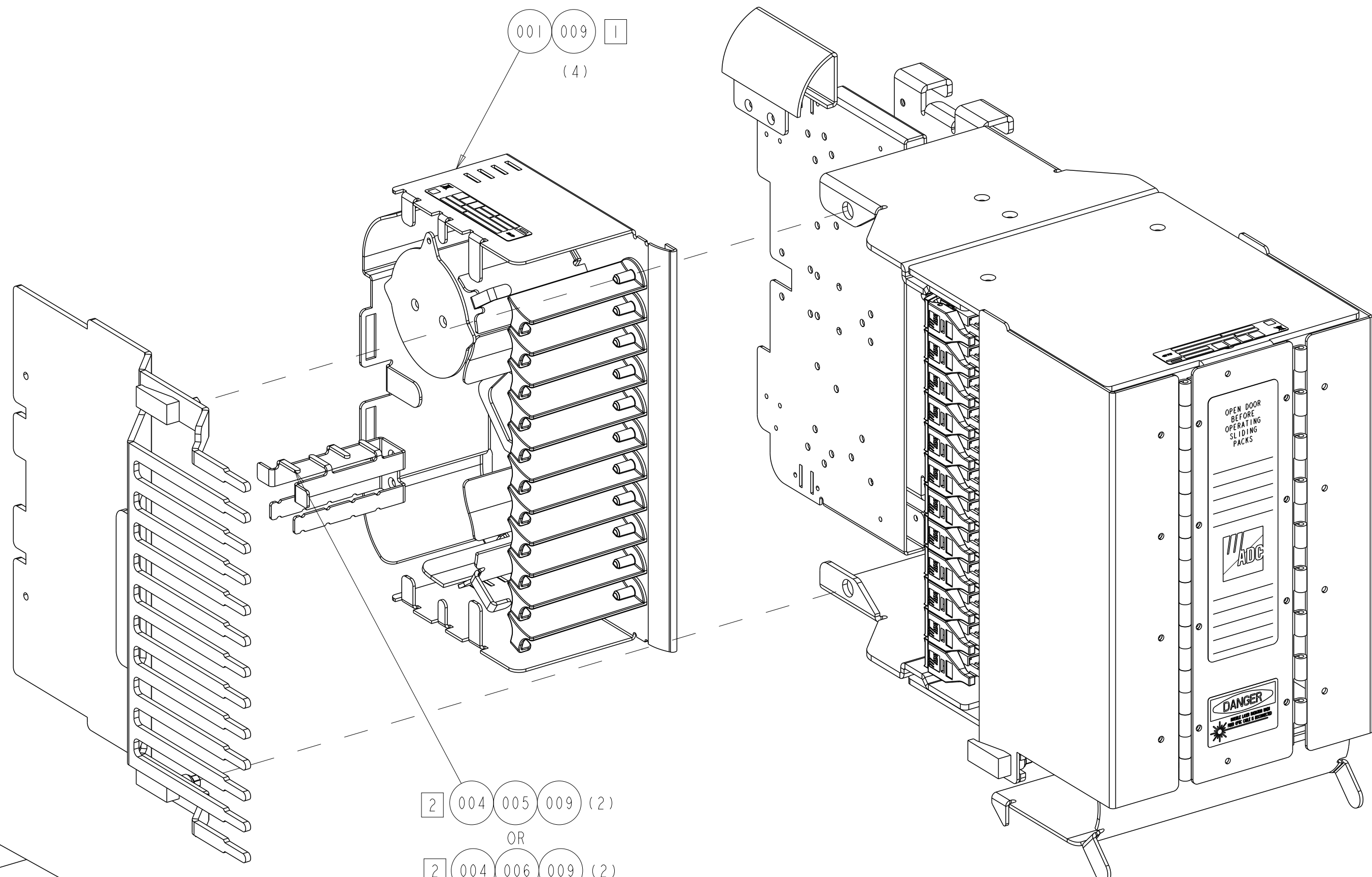
B

C

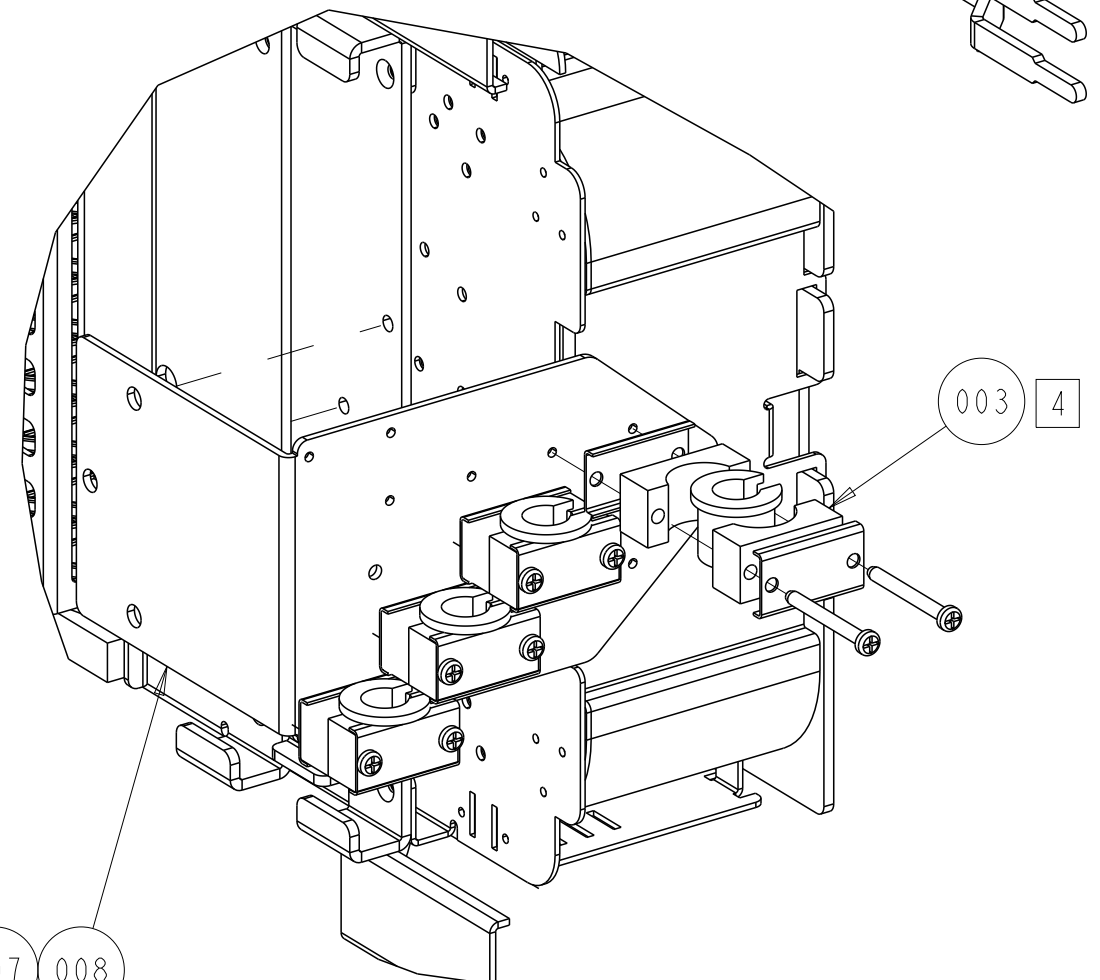
D

REV	MCO	DWN	DATE
A	20337053	HSM	25-FEB-13
B	40020260MCO	JGZV	09-MAR-15

ITEM	DESCRIPTION	QTY
001	IFC REAR TRAY, RIGHT, DOWN	1
002	CABLE CLAMP BRACKET	1
003	CABLE CLAMP KIT	1
004	O-RING	1
005	FAN-OUT BRACKET (ALL IFC EXCEPT 96 POS)	1
006	FAN-OUT BRACKET (ONLY 96 POS IFC)	1
007	#12-24 X .375 SCREW	3
008	#12 WASHER	3
009	#4-40 X .25 SCREW	6
010	FAN-OUT BRACKET (192 POS)	1
999	ROUTING DRAWING	1



- 2 004 005 009 (2)
OR
2 004 006 009 (2)
OR
2 004 010 009 (2)



REAR VIEW
CABLE CLAMP ASSEMBLY

NOTES:

- 1 REMOVE EXISTING RIGHT TRAY AND REPLACE WITH ITEM 001 AS SHOWN.
- 2 SEE SHEET 2, FANOUT BRACKET DETAIL.
- 3. PREPARE AND ROUTE CABLE ASSEMBLIES AS SHOWN IN USER MANUAL WITH NGF TERMINAL BLOCK.
- 4 SHOW 4 CABLE CLAMPS ONLY REFERENCE.

NFG-ACCRCMSRD-16	PUTTY WHITE
NGFB-ACCRCMSRD	BLACK TEXTURED
NGF-ACCRCMSRD	PUTTY WHITE
CATALOG	FINISH

INFORMATION ON THIS DOCUMENT IS PROPRIETARY TO TE CONNECTIVITY AND SHALL NOT BE USED, COPIED, REPRODUCED OR DISCLOSED IN WHOLE OR IN PART WITHOUT WRITTEN CONSENT OF TE CONNECTIVITY.

TITLE CONVERSION KIT, NGF-TB, 96\144, RIGHT DOWN

ALL DIMS AND TOLERANCES .XX:±N/A ARE INCHES UNLESS .XXX:±N/A OTHERWISE SPECIFIED ANGULAR:±N/A

C SIZE DRAWING NUMBER 300001771936 B REV

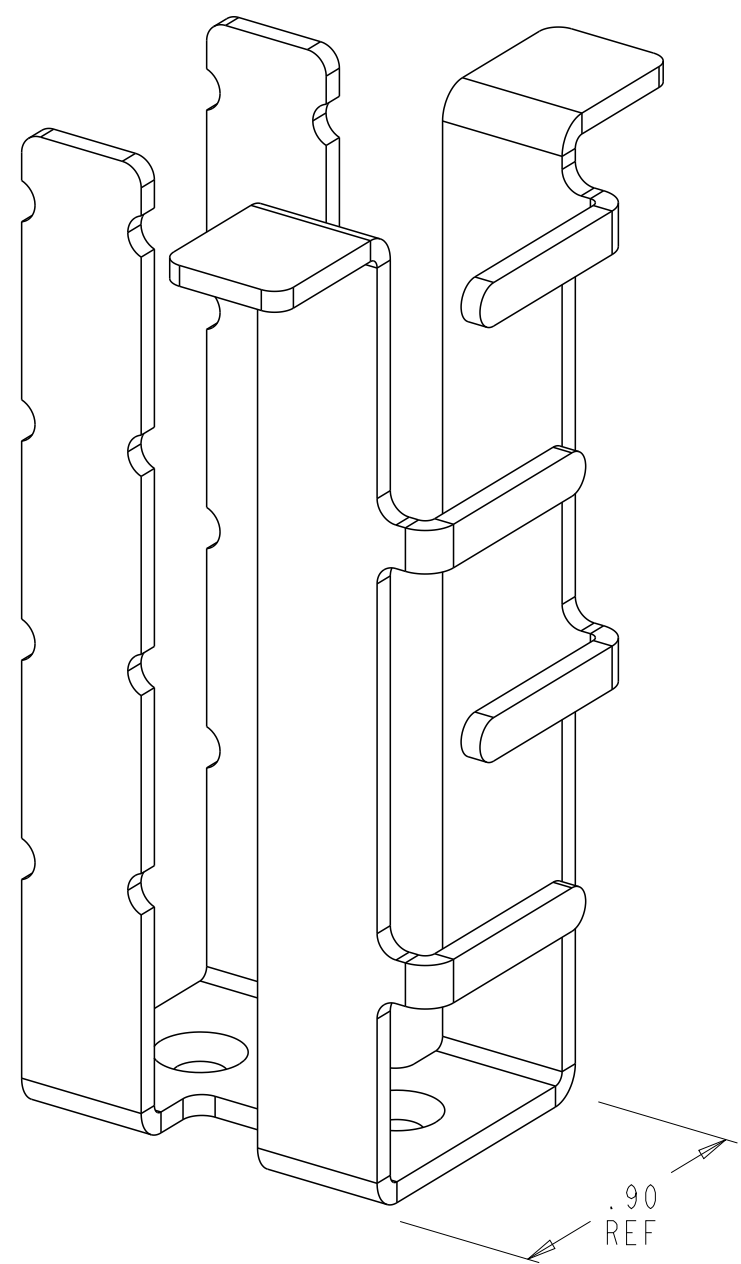
DO NOT SCALE DRAWING

ENGR: JOSE MENDOZA
DWN: HERMAN SAENZ

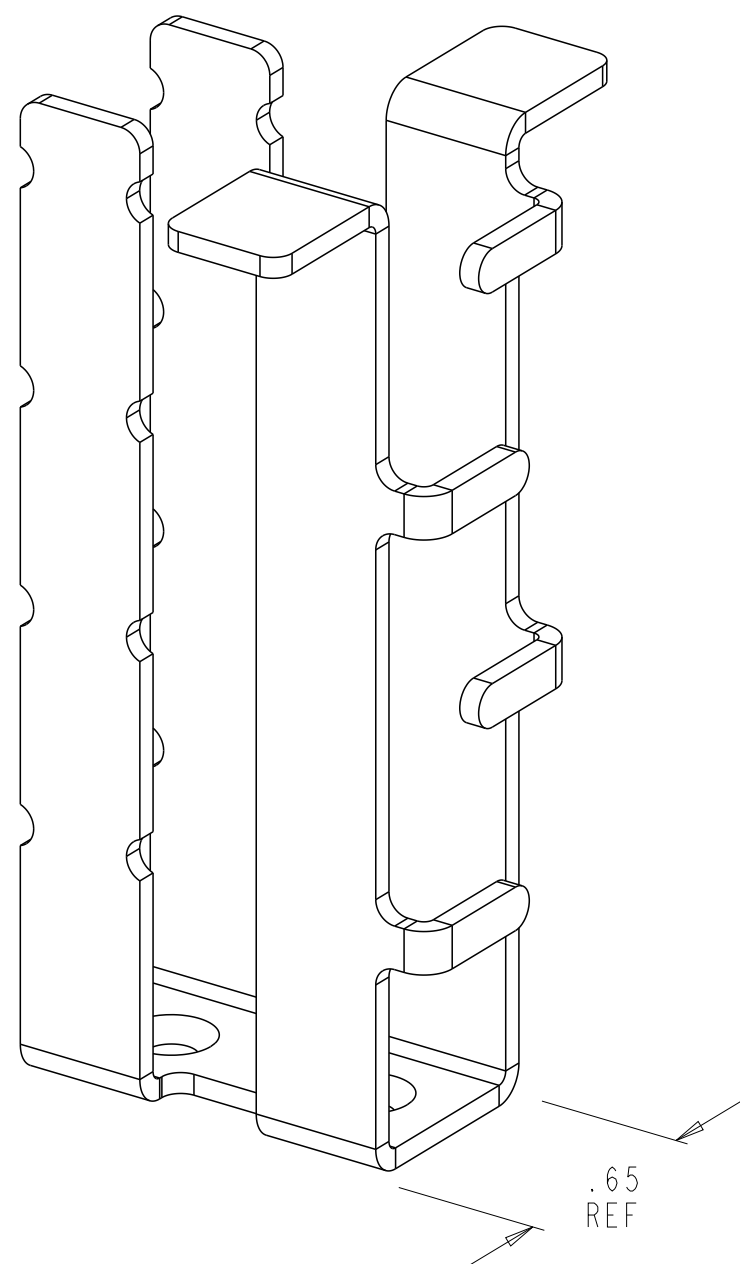
SHT. 1 OF 6



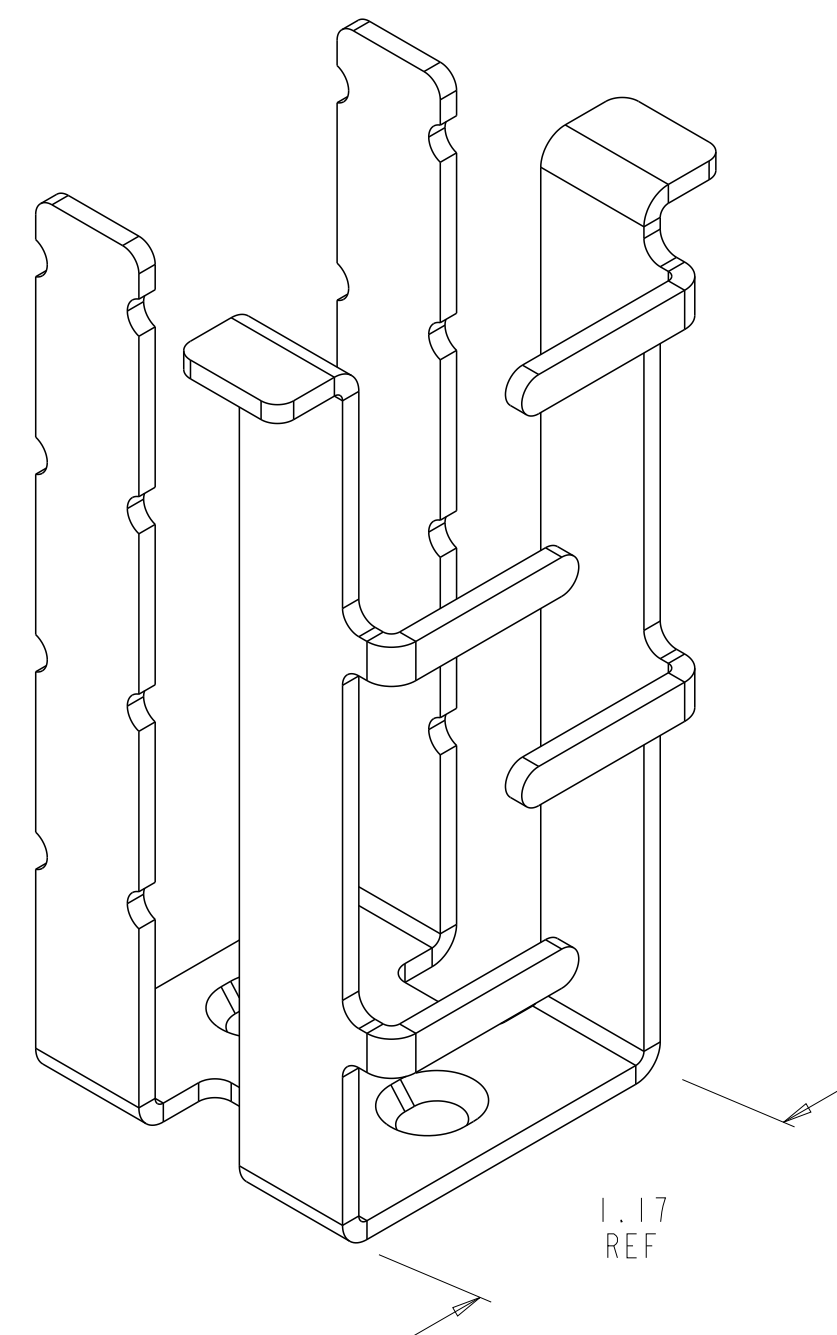
DIMENSIONS IN INCHES
THIRD ANGLE PROJECTION



ITEM 005
SCALE 2.000



ITEM 006
SCALE 2.000



ITEM 010
SCALE 2.000



INFORMATION ON THIS DOCUMENT IS PROPRIETARY TO TE CONNECTIVITY AND SHALL NOT BE USED, COPIED, REPRODUCED OR DISCLOSED IN WHOLE OR IN PART WITHOUT WRITTEN CONSENT OF TE CONNECTIVITY.

ALL DIMS AND TOLERANCES ARE INCHES UNLESS OTHERWISE SPECIFIED

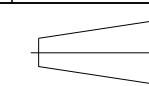
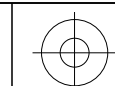
DO NOT SCALE DRAWING

TITLE
CONVERSION KIT, NGF-TB,
96\144, RIGHT DOWN

ALL DIMS AND TOLERANCES ARE INCHES UNLESS OTHERWISE SPECIFIED	.XX:±N/A .XXX:±N/A ANGULAR:±N/A	C SIZE	DRAWING NUMBER 300001771936	B REV
---	---------------------------------------	-----------	--------------------------------	----------

ENGR: JOSE MENDOZA
DWN: HERMAN SAENZ

SHT. 2 OF 6



**DIMENSIONS IN INCHES
THIRD ANGLE PROJECTION**

A

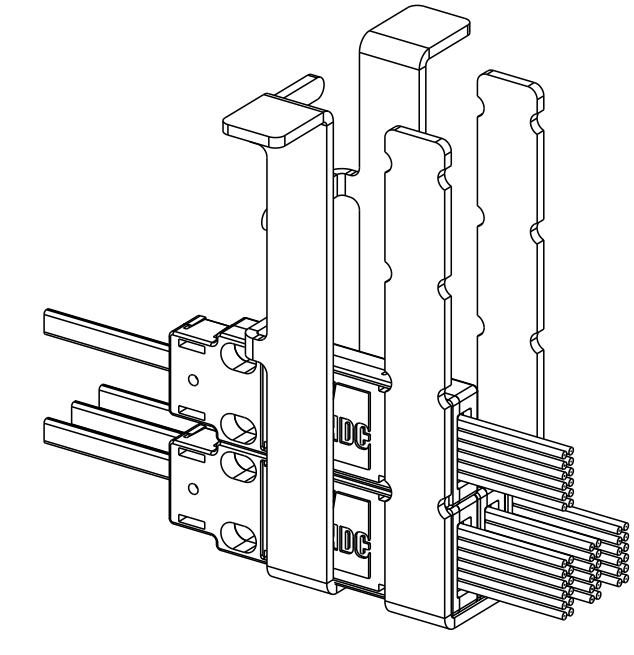
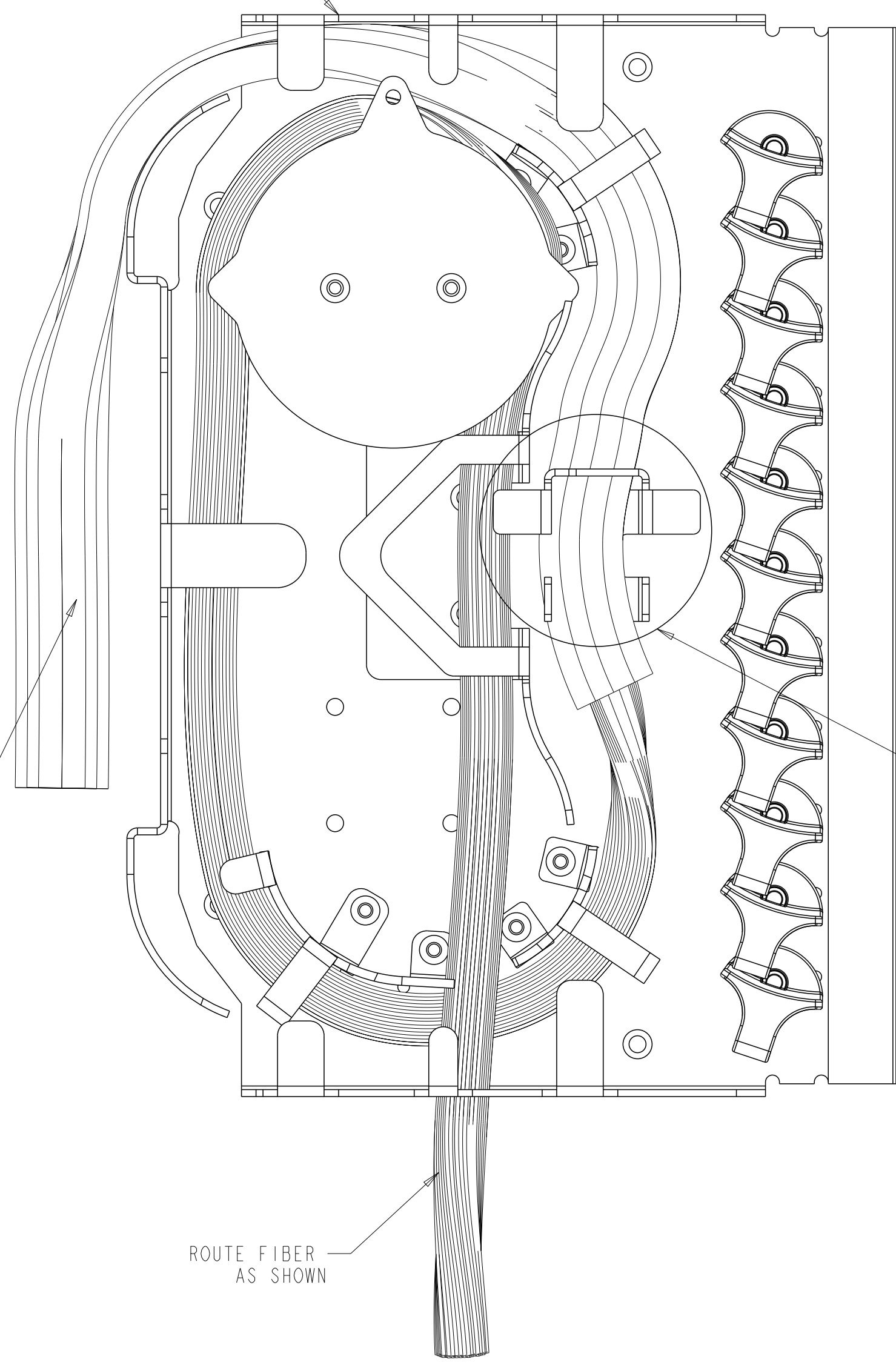
B

C

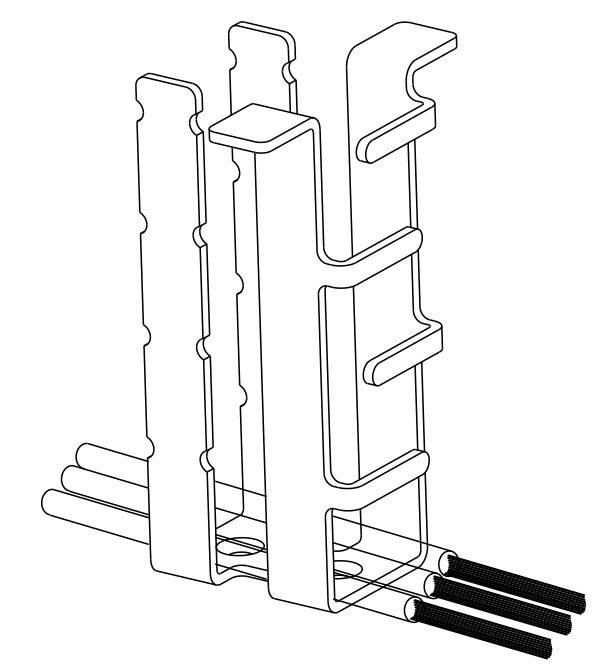
D

REFERENCE CABLE ROUTING

TIE SUBUNITS WITH LACING (REF)



FOR RIBBON FIBER



FOR STRANDED FIBER

DETAIL A

SEE DETAIL A

CABLE ROUTING STEP 1

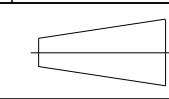
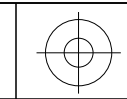


INFORMATION ON THIS DOCUMENT IS PROPRIETARY TO TE CONNECTIVITY AND SHALL NOT BE USED, COPIED, REPRODUCED OR DISCLOSED IN WHOLE OR IN PART WITHOUT WRITTEN CONSENT OF TE CONNECTIVITY.

ALL DIMS AND TOLERANCES ARE INCHES UNLESS OTHERWISE SPECIFIED

ENGR: JOSE MENDOZA
DWN: HERMAN SAENZ

TITLE		CONVERSION KIT, NGF-TB, 96\144, RIGHT DOWN	
C SIZE	DRAWING NUMBER	B REV	
	300001771936		
DO NOT SCALE DRAWING		SHT. 3 OF 6	



DIMENSIONS IN INCHES
THIRD ANGLE PROJECTION

A

B

C

1

2

3

4

1

2

3

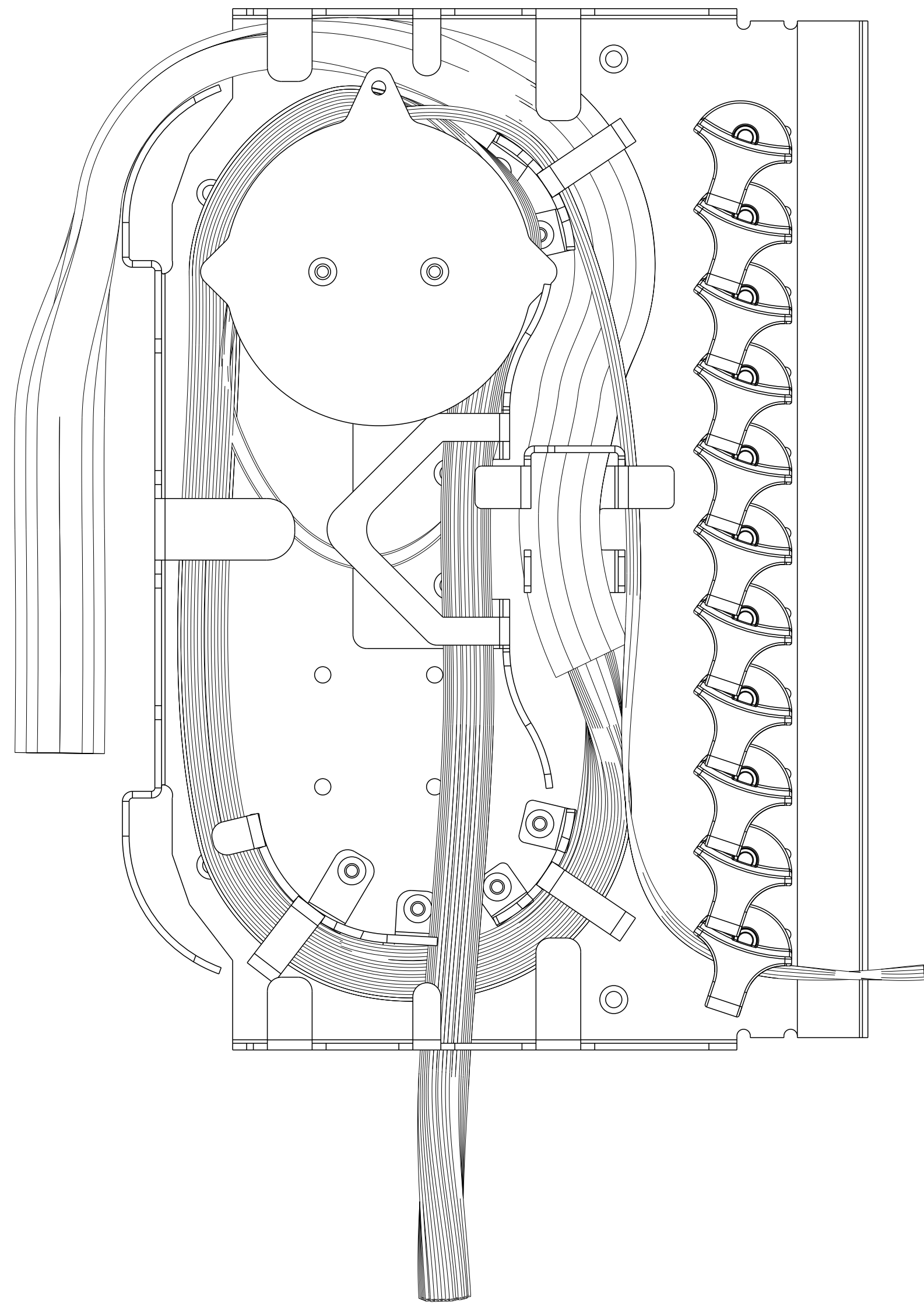
4

A

B

C

D



ROW 12
 ROW 11
 ROW 10
 ROW 9
 ROW 8
 ROW 7
 ROW 6
 ROW 5
 ROW 4
 ROW 3
 ROW 2
 ROW 1

NOTES:

1. START WITH ROW 1 SEE CONNECTION TABLE (F/N 986) FOR CORRECT FIBERS. ROUTE FIBERS AS SHOWN TO ROW 1

CABLE ROUTING
STEP 2



INFORMATION ON THIS DOCUMENT IS PROPRIETARY TO TE CONNECTIVITY AND SHALL NOT BE USED, COPIED, REPRODUCED OR DISCLOSED IN WHOLE OR IN PART WITHOUT WRITTEN CONSENT OF TE CONNECTIVITY.

TITLE
 CONVERSION KIT, NGF-TB,
 96\144, RIGHT DOWN

ALL DIMS AND TOLERANCES .XX:±N/A ARE INCHES UNLESS .XXX:±N/A OTHERWISE SPECIFIED ANGULAR:±N/A

C
 SIZE
 DRAWING NUMBER
 300001771936
 B
 REV

DO NOT SCALE DRAWING

ENGR: JOSE MENDOZA
 DWN: HERMAN SAENZ

SHT. 4 OF 6



**DIMENSIONS IN INCHES
 THIRD ANGLE PROJECTION**

A

B

C

1

2

3

4

1

2

3

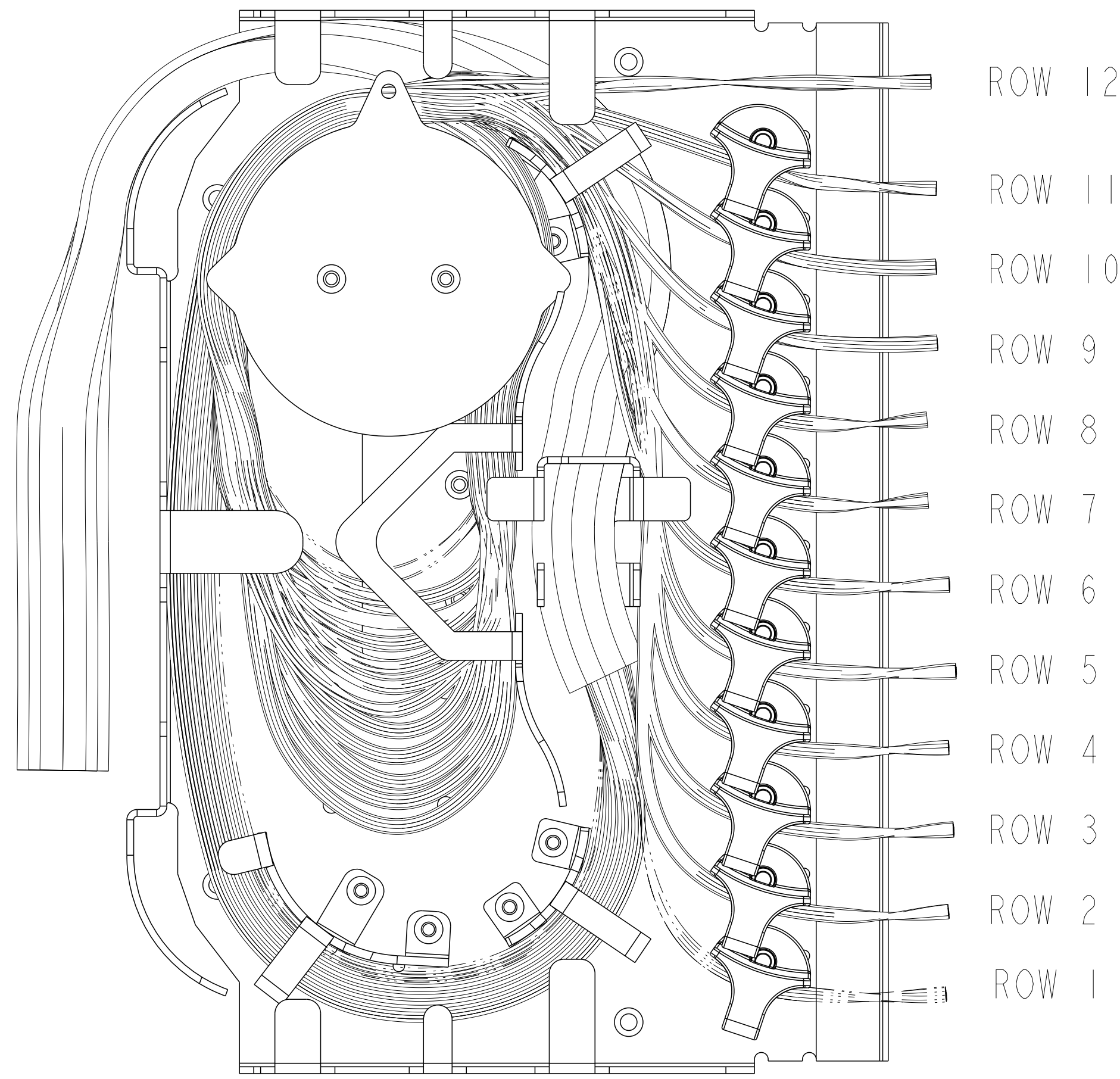
4

A

B

C

D



ROW 12

ROW 11

ROW 10

ROW 9

ROW 8

ROW 7

ROW 6

ROW 5

ROW 4

ROW 3

ROW 2

ROW 1

NOTES:

2. ROUTE ROW 2 AS SHOWN.
 CONTINUE WITH ROWS 3,
 THROUGH 12. SEE CONNECTION
 TABLE FOR CORRECT FIBERS.

CABLE ROUTING
STEP 3



INFORMATION ON THIS DOCUMENT IS
 PROPRIETARY TO TE CONNECTIVITY AND
 SHALL NOT BE USED, COPIED, REPRODUCED OR
 DISCLOSED IN WHOLE OR IN PART WITHOUT
 WRITTEN CONSENT OF TE CONNECTIVITY.

TITLE
 CONVERSION KIT, NGF-TB,
 96\144, RIGHT DOWN

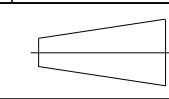
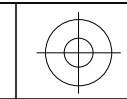
ALL DIMS AND TOLERANCES .XX:±N/A
 ARE INCHES UNLESS .XXX:±N/A
 OTHERWISE SPECIFIED ANGULAR:±N/A

C
 SIZE
 DRAWING NUMBER
 300001771936
 B
 REV

DO NOT SCALE DRAWING

ENGR: JOSE MENDOZA
 DWN: HERMAN SAENZ

SHT. 5 OF 6



**DIMENSIONS IN INCHES
 THIRD ANGLE PROJECTION**

A

B

C

1

2

3

4

1

2

3

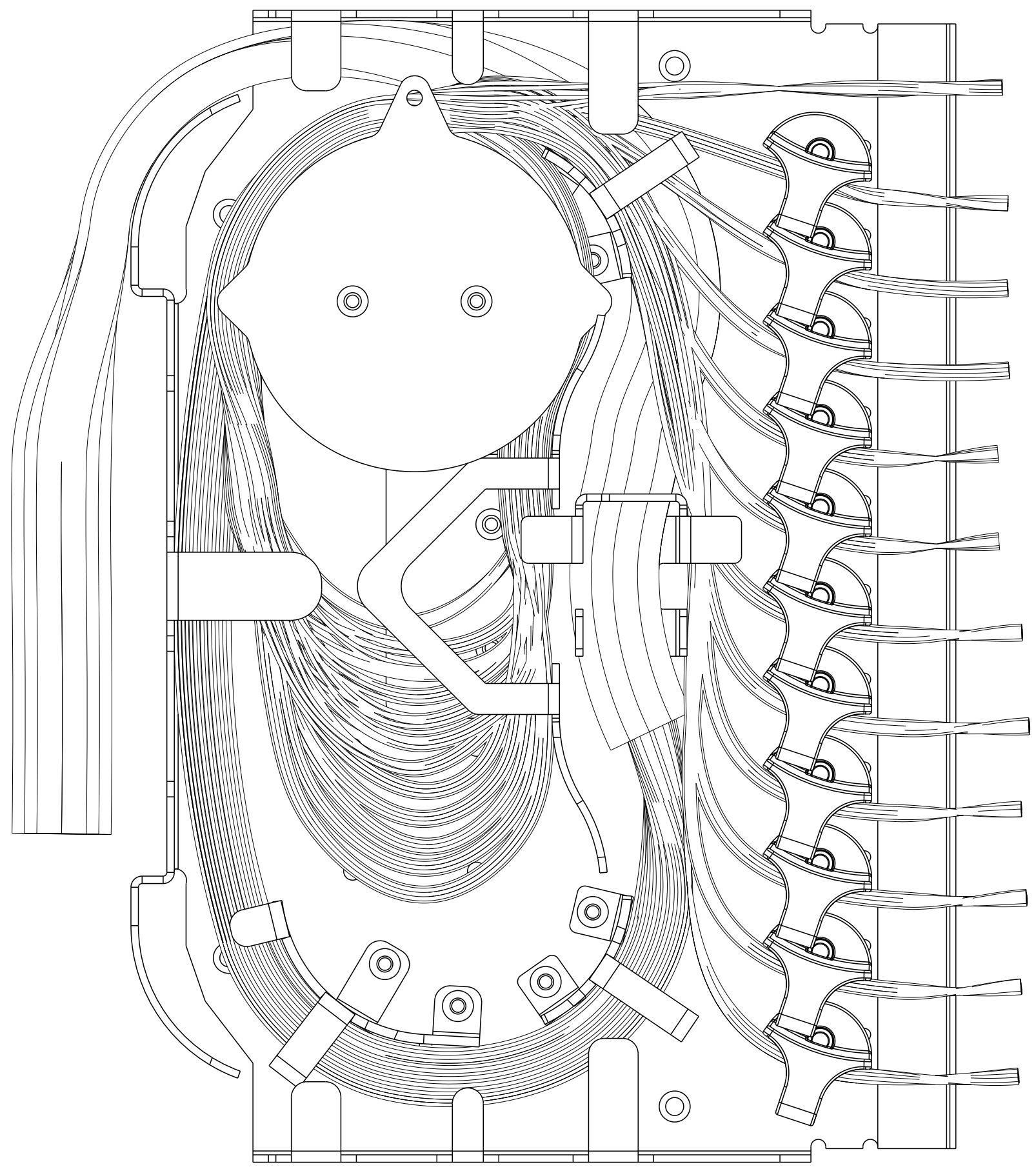
4

A

B

C

D



ROW 12
 ROW 11
 ROW 10
 ROW 9
 ROW 8
 ROW 7
 ROW 6
 ROW 5
 ROW 4
 ROW 3
 ROW 2
 ROW 1

NOTES:

- 3. AFTER INSTALLING CABLE, EXTEND ALL ADAPTER PACKS.
- 4. PUSH ADAPTER PACKS BACK IN, CHECK FIBER FOR BENDS. REDRESS FIBERS IF NECESSARY.

FINISHED CABLE ROUTING



<small>INFORMATION ON THIS DOCUMENT IS PROPRIETARY TO TE CONNECTIVITY AND SHALL NOT BE USED, COPIED, REPRODUCED OR DISCLOSED IN WHOLE OR IN PART WITHOUT WRITTEN CONSENT OF TE CONNECTIVITY.</small>		<small>TITLE</small> DRAWING REF, CABLE ROUTING RIGHT, CABLE EXIT DOWN	
<small>ALL DIMS AND TOLERANCES .XX:±N/A ARE INCHES UNLESS .XXX:±N/A OTHERWISE SPECIFIED ANGULAR:±N/A</small>		<small>C SIZE</small>	<small>DRAWING NUMBER</small> 300001771936
<small>DO NOT SCALE DRAWING</small>		<small>ENGR:</small> JOSE MENDOZA <small>DWN:</small> HERMAN SAENZ	<small>SHT.</small> 6 OF 6



**DIMENSIONS IN INCHES
 THIRD ANGLE PROJECTION**