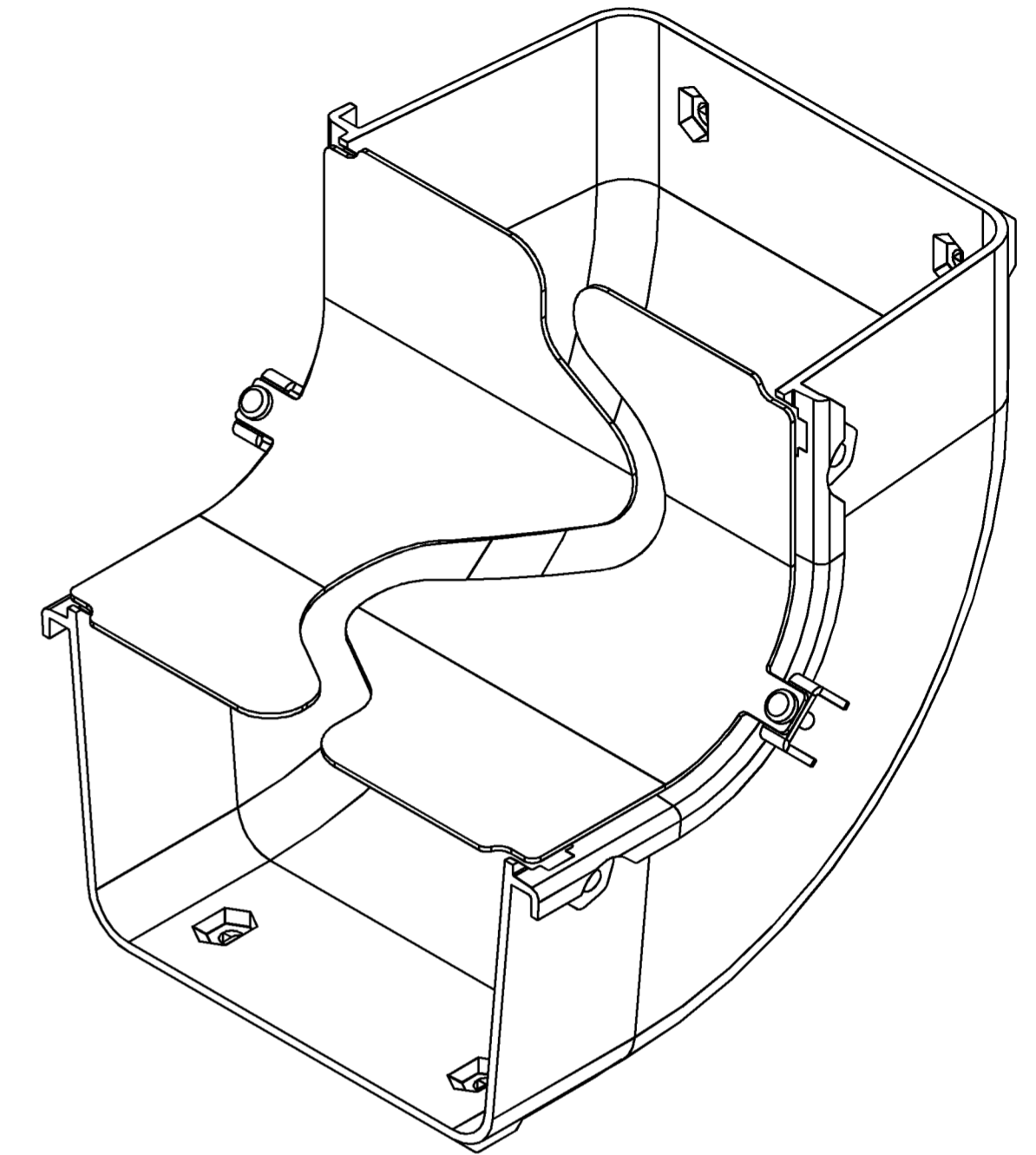
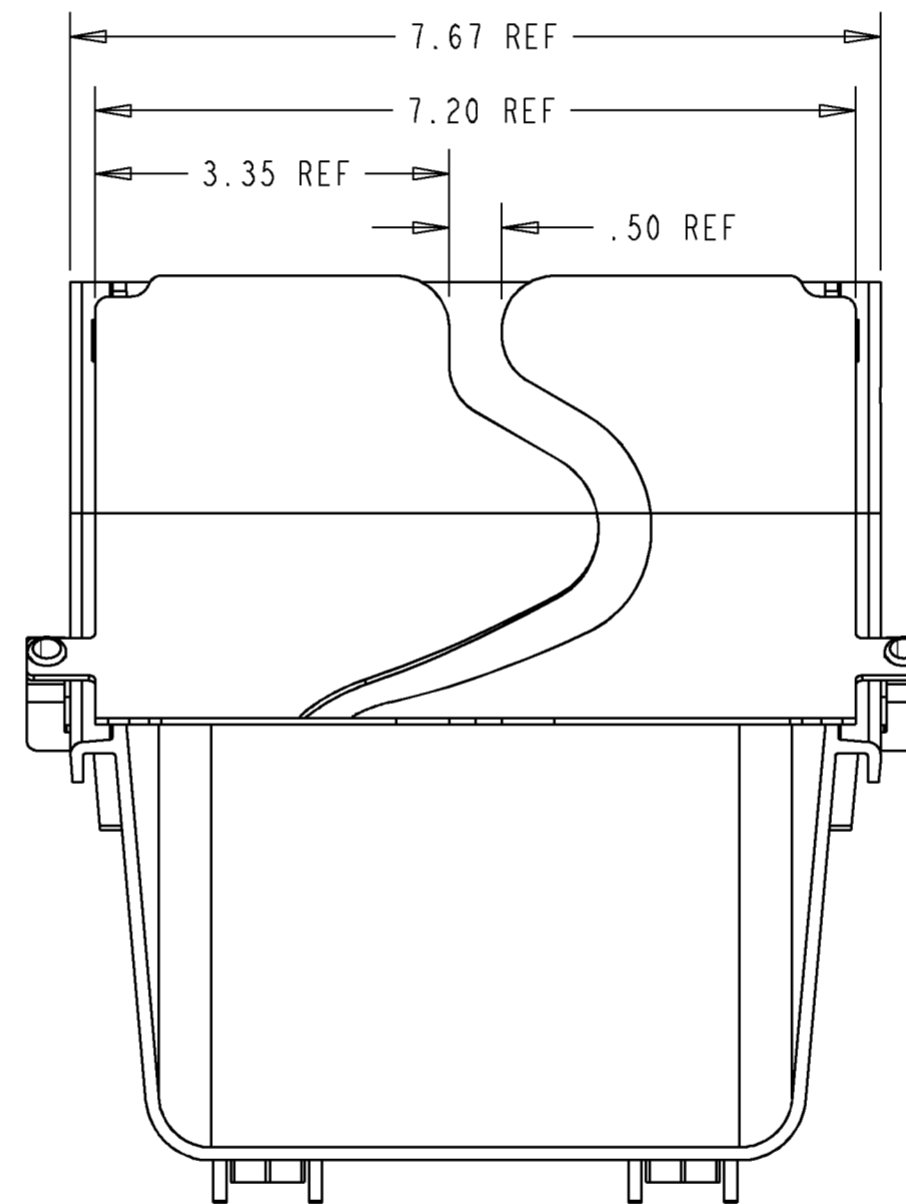
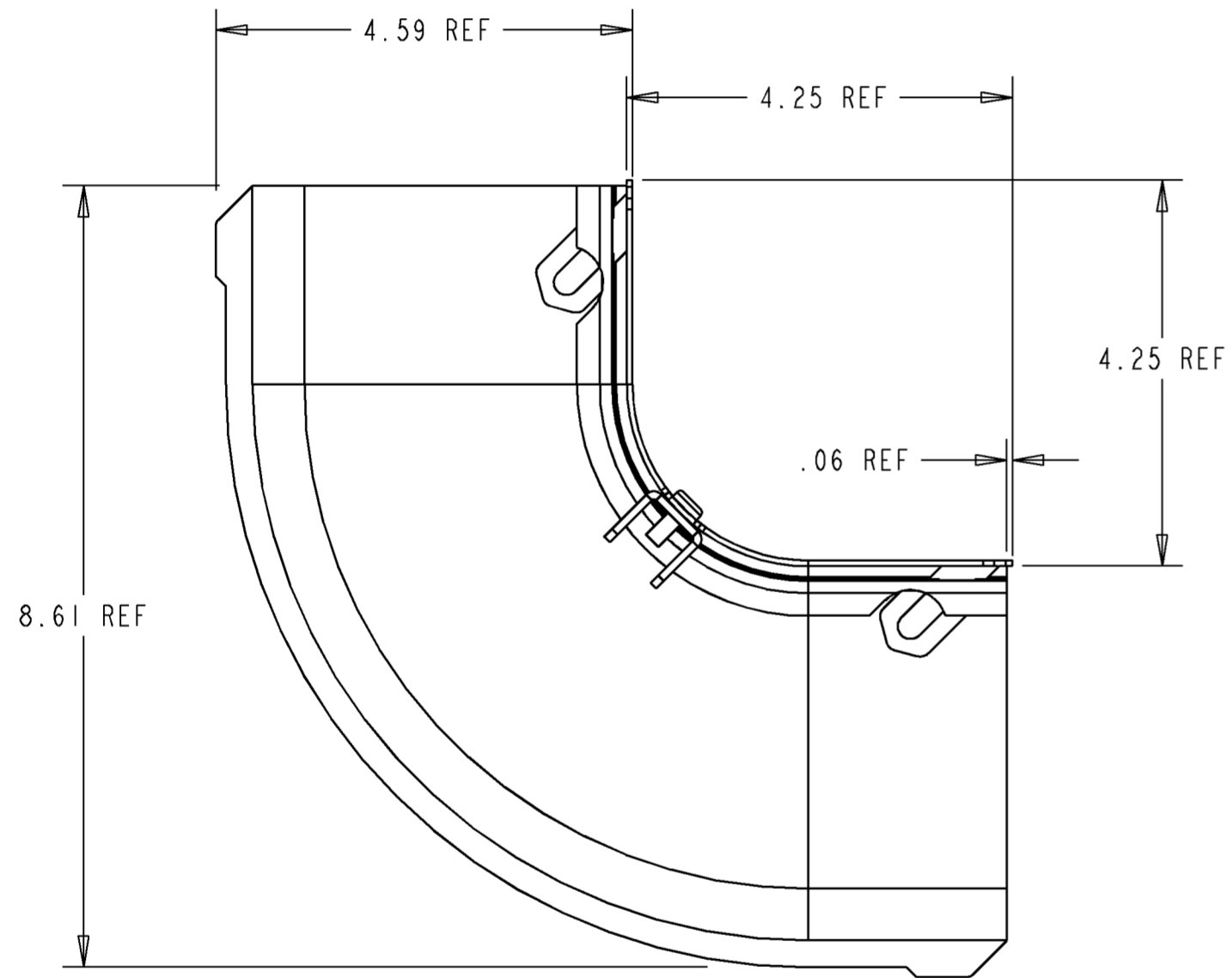


REV	MCO	DWN	DATE
A	20081521	CDZ	27-FEB-01
B	20238389	AED	22-ABR-08



NOTES:

1. KIT INCLUDES THE FOLLOWING:
 - (1) 4X6 90° UP ELBOW
 - (2) 6" 90° UP ELBOW SPLIT COVERS
 - (2) COVER HOOKS
 - (2) 6-32X.375 SCREWS

ATTACHING THE SPLIT COVERS TO THE ELBOW:

2. USING THE SPLIT COVER TO POSITION THE COVER HOOK, PRESS THE COVER HOOK UNDER THE LIP OF THE ELBOW AS SHOWN.
3. ATTACH THE SPLIT COVER TO THE COVER HOOK USING ONE 6-32 SCREW.
4. REPEAT STEPS 2 & 3 FOR SECOND COVER.

FGSB-MU9E-B	BLACK
FGSO-MU9E-B	ORANGE
FGS-MU9E-B	YELLOW
CATALOG NUMBER	COLOR



INFORMATION ON THIS DOCUMENT IS PROPRIETARY TO ADC AND SHALL NOT BE USED, COPIED, REPRODUCED OR DISCLOSED IN WHOLE OR IN PART WITHOUT WRITTEN CONSENT OF ADC.

ALL DIMS AND TOLERANCES ARE INCHES UNLESS OTHERWISE SPECIFIED

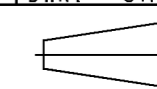
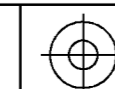
DO NOT SCALE DRAWING

TITLE
6" X4" SPLIT COVER 90° UP ELBOW INSTALL DRW

DRAWING NUMBER
1156699

ENGR: DEREK DERKS
DWN: CRAIG ZELASKO

SHT. 1 OF 2



DIMENSIONS IN INCHES
THIRD ANGLE PROJECTION

A

B

C

D

1

2

3

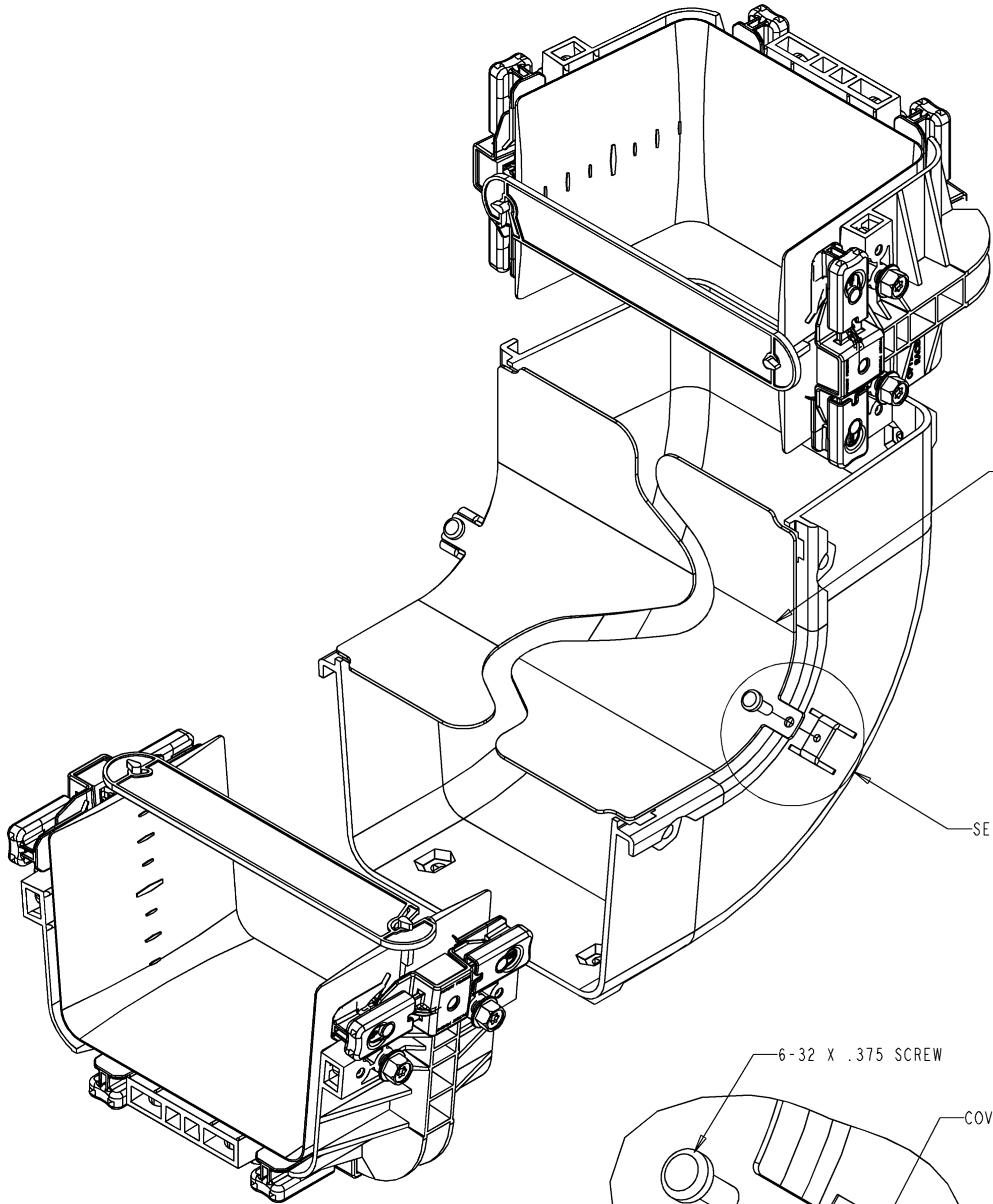
4

1

2

3

4



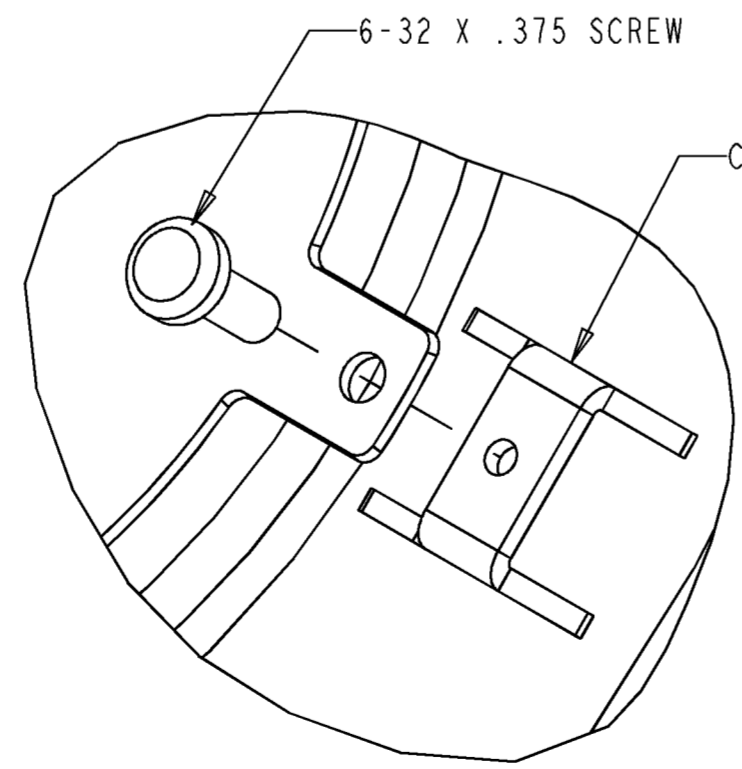
6" FGS JUNCTION REF

SPLIT COVER

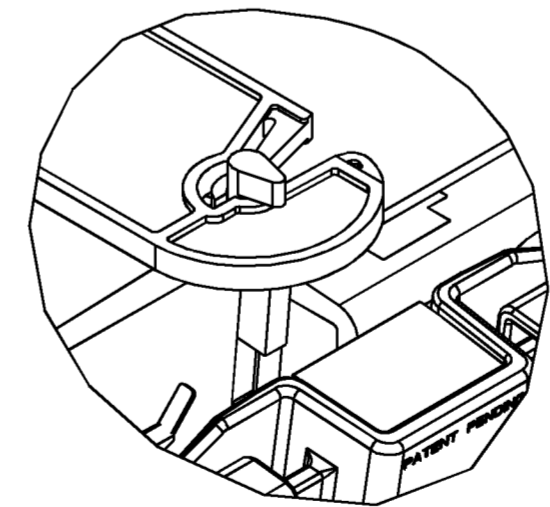
SEE DETAIL B

6-32 X .375 SCREW

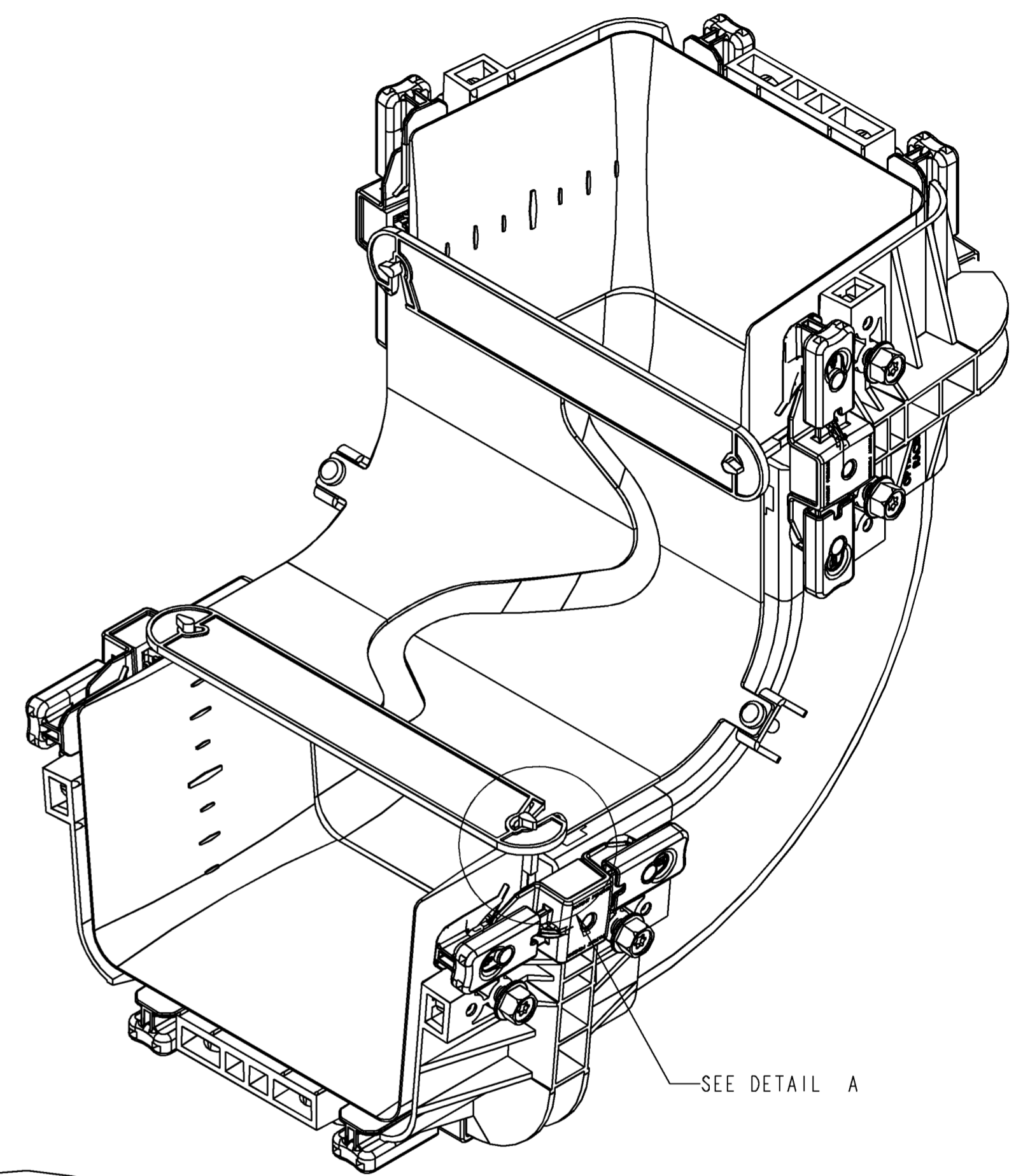
COVER HOOK



DETAIL B
SCALE 1.500



DETAIL A
SCALE 1.250



SEE DETAIL A



INFORMATION ON THIS DOCUMENT IS
 PROPRIETARY TO ADC AND SHALL
 NOT BE USED, COPIED, REPRODUCED
 OR DISCLOSED IN WHOLE OR IN PART
 WITHOUT WRITTEN CONSENT OF ADC.

TITLE 6" X 4" SPLIT COVER 90°
 UP ELBOW INSTALL DRW

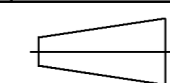
ALL DIMS AND TOLERANCES .XX:±.02
 ARE INCHES UNLESS .XXX:±.010
 OTHERWISE SPECIFIED ANGULAR:±2°

C SIZE DRAWING NUMBER 1156699 B REV

DO NOT SCALE DRAWING

ENGR: DEREK DERKS
 DWN: CRAIG ZELASKO

SHT. 2 OF 2



DIMENSIONS IN INCHES
THIRD ANGLE PROJECTION

A

B

C

