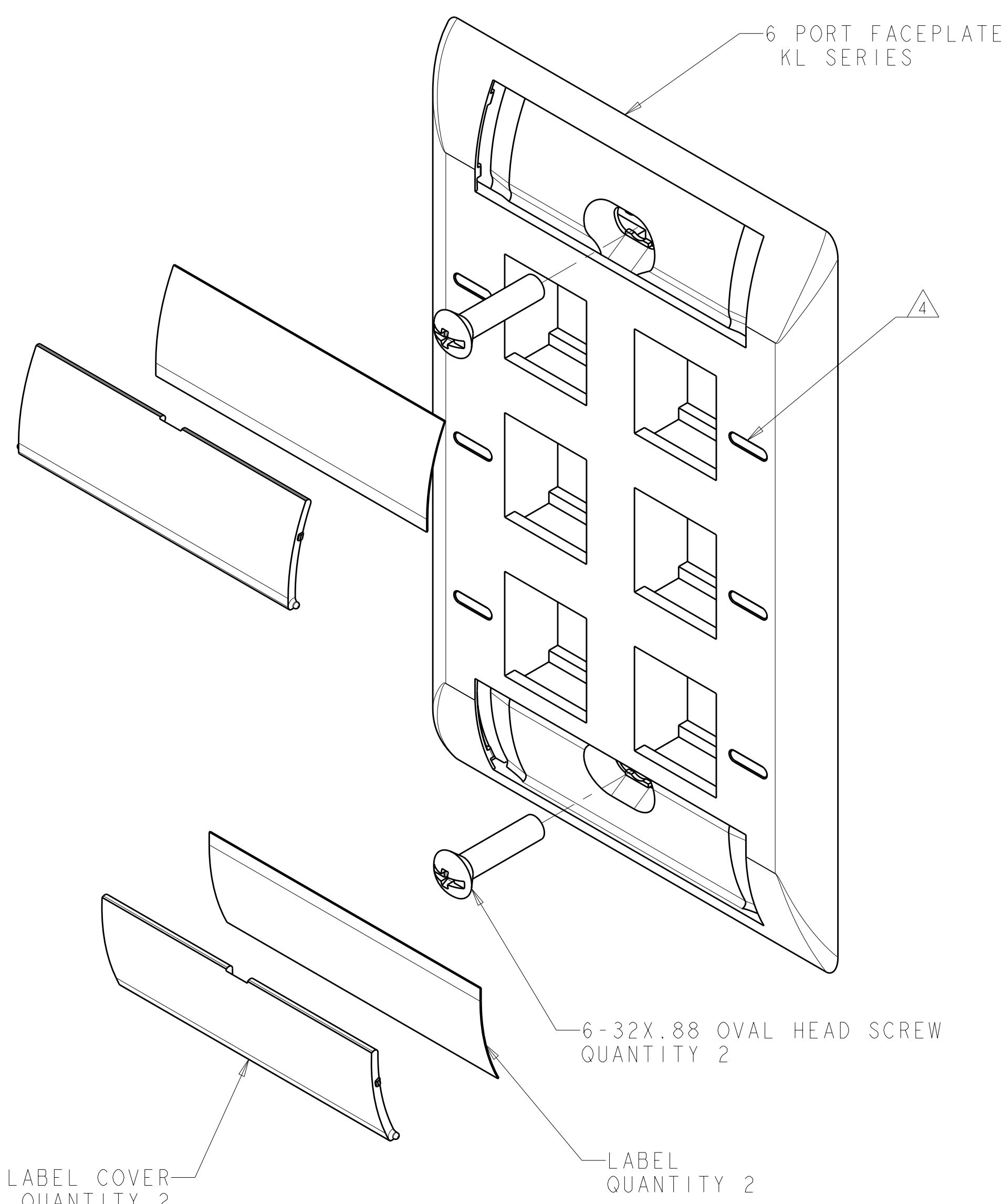
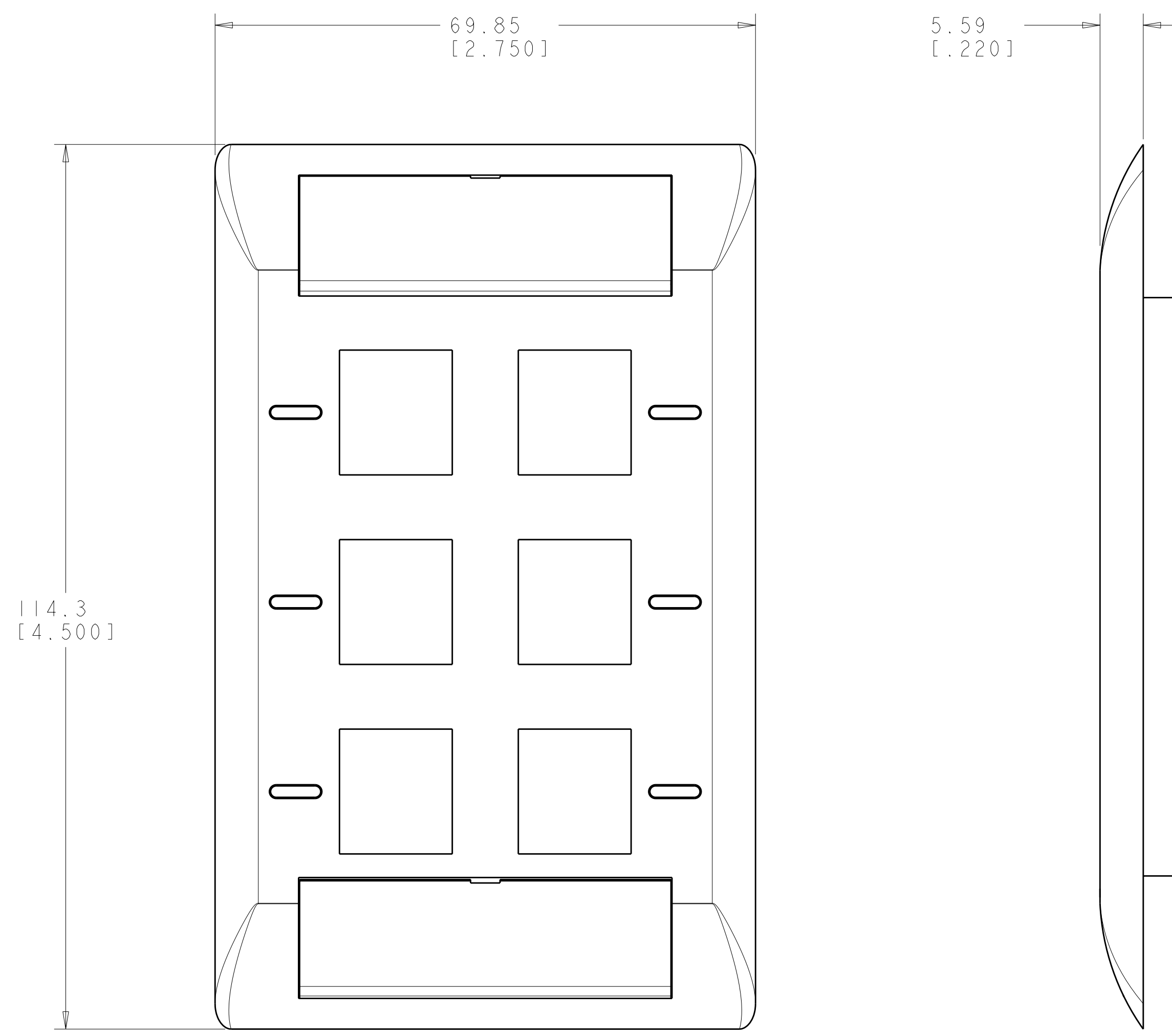


LOC	DIST	REVISIONS			
HM	00	REV	DATE	BY	APP'D
		A	09FEB2010	GG	RA
		B	10MAR2010	GG	RA



- ⚠ DIMENSIONS ARE NOMINAL UNLESS OTHERWISE SPECIFIED.
- ⚠ MATERIAL:
FACEPLATE - POLYCARBONATE MOLDING COMPOUND. SEE TABLE FOR COLORS.
SCREWS - ZINC PLATED CARBON STEEL.
LABEL COVER - POLYCARBONATE MOLDING COMPOUND, CLEAR.
LABEL - WHITE INDEX PAPER.
- 3. THIS KIT SHIPPED NOT ASSEMBLED.
- ⚠ MOLD OVER ICON FEATURE.



ALPINE WHITE	1-2111040-3
ELECTRIC IVORY	1-2111040-1
NEMA GRAY	2111040-4
WHITE	2111040-3
BLACK	2111040-2
LIGHT ALMOND	2111040-1
COLOR	PART NUMBER

DIMENSIONS: MME [INCHES] 		TOLERANCES UNLESS OTHERWISE SPECIFIED: 9 PLC ± ⚠ 1 PLC ± ⚠ 3 PLC ± ⚠ 4 PLC ± ⚠ ANGLES ± ⚠		DWN: S. GARRETT 31MAR2009 CHK: R. ASHRY 31MAR2009 APVD: P. ASHRY 31MAR2009	Tyco Electronics Harrisburg, PA 17105-3608
MATERIAL: ⚠ FINISH: ⚠		NAME: KIT, FACEPLATE, COMMERCIAL, SINGLE GANG, 6 PORT, KL SERIES PRODUCT SPEC: - APPLICATION SPEC: - WEIGHT: - CUSTOMER DRAWING		SIZE: A 00779 C=2111040 SCALE: 2:1 SHEET 1 OF 1 REV B	