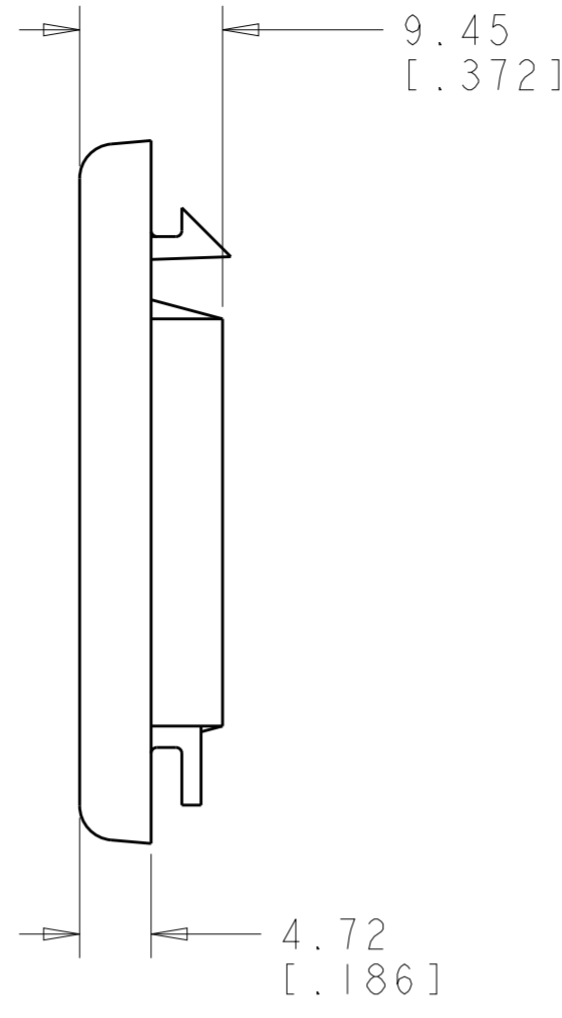
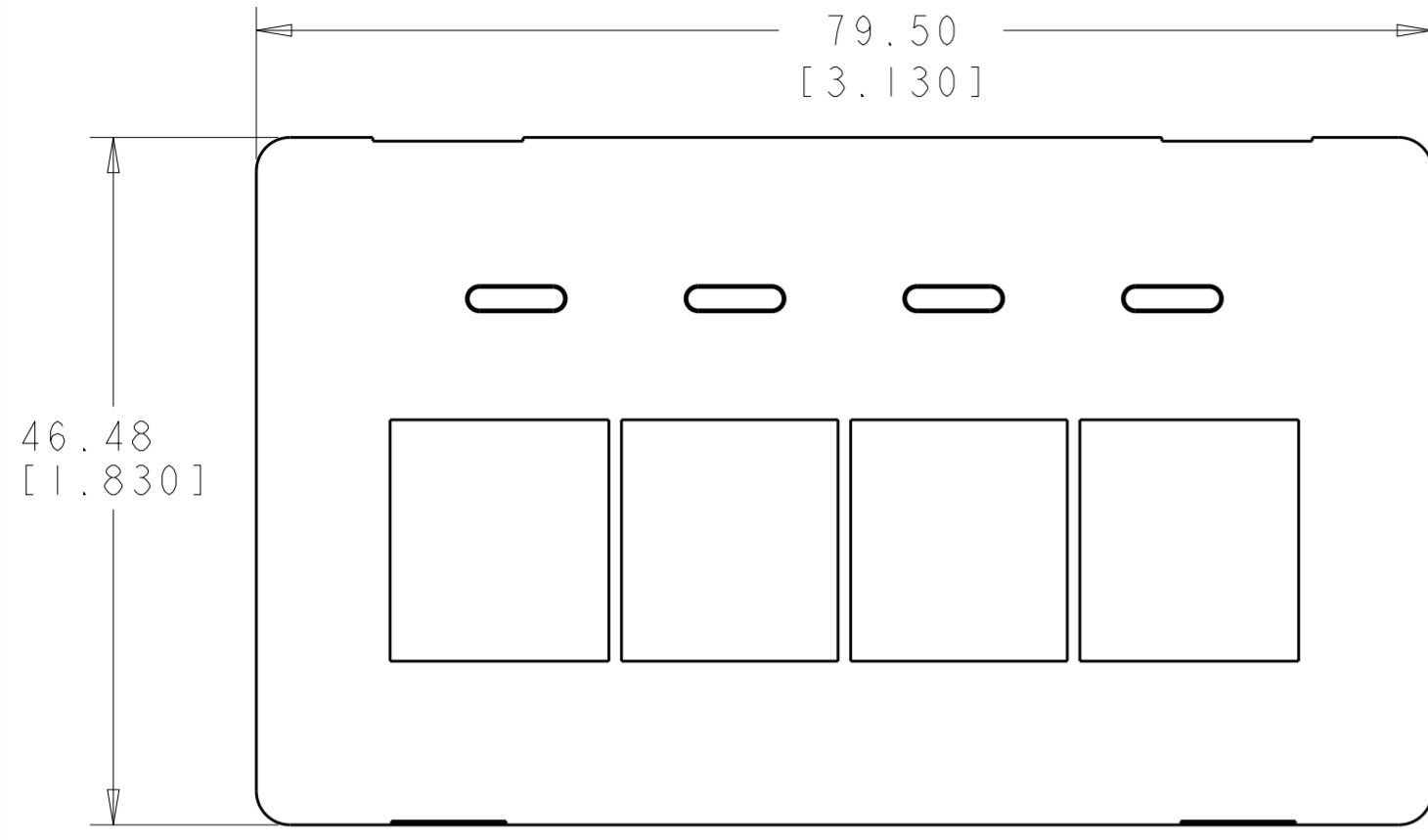
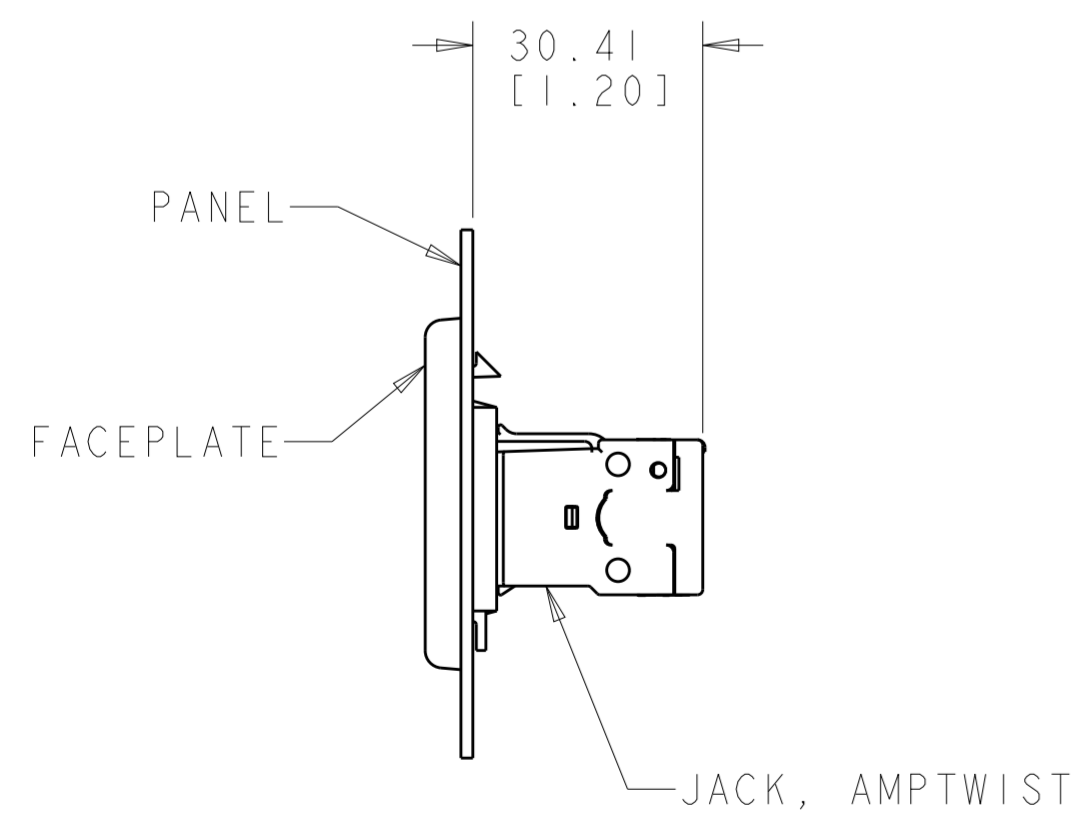
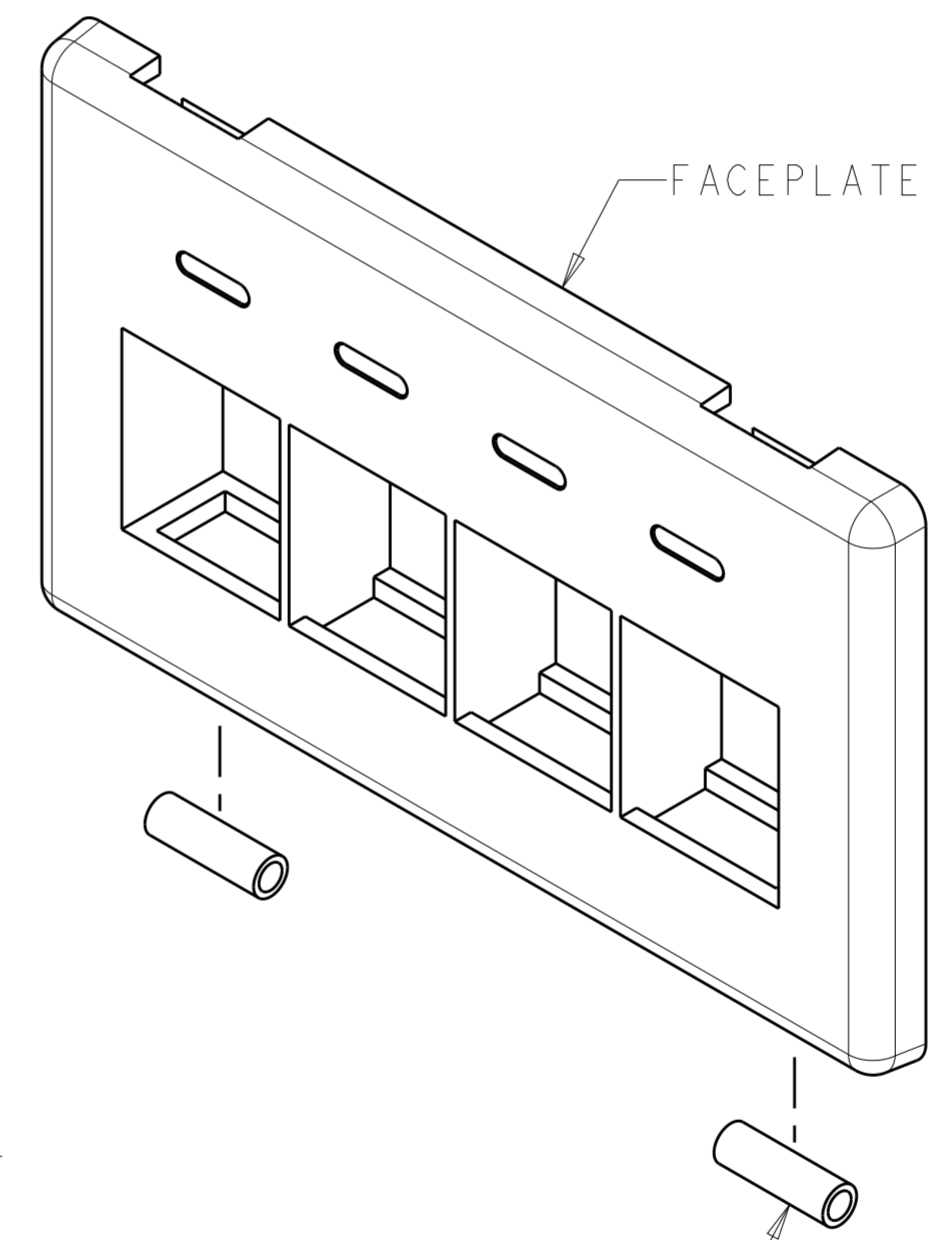


THIS DRAWING IS UNPUBLISHED. RELEASED FOR PUBLICATION 20
 © COPYRIGHT 20 BY - ALL RIGHTS RESERVED.

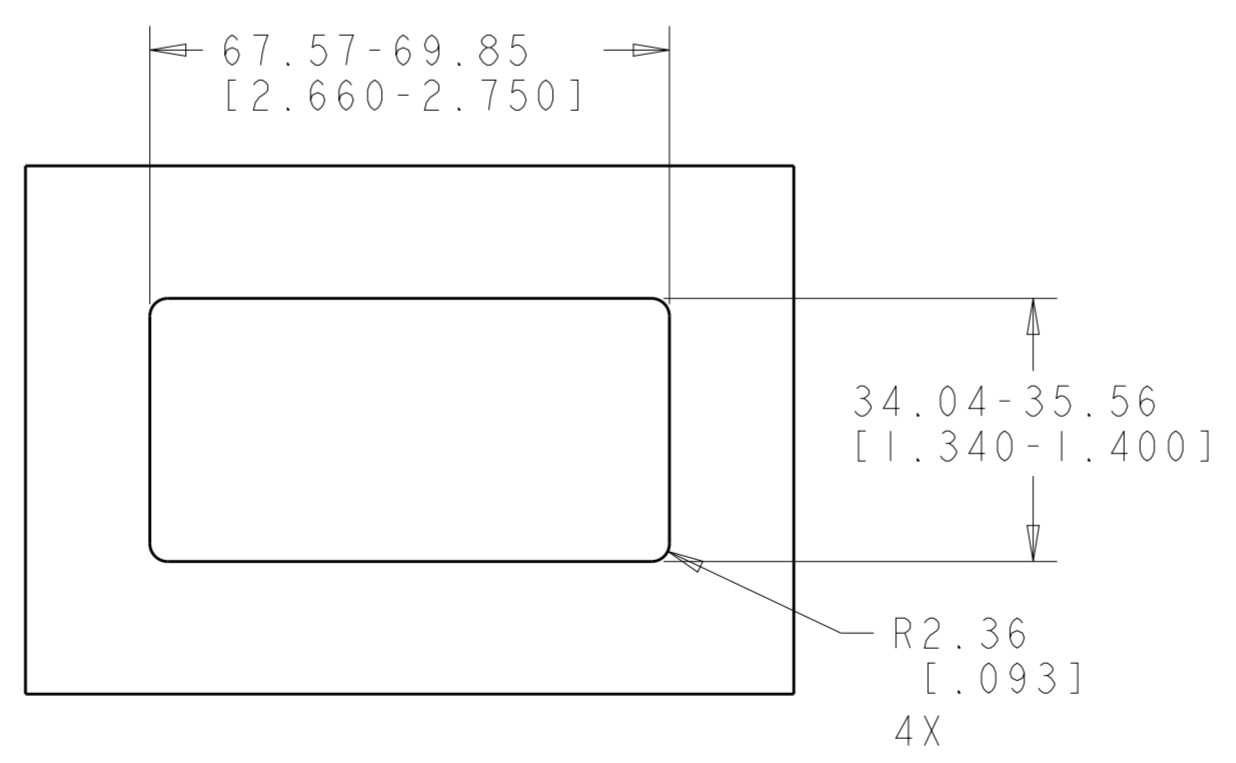
REVISIONS				
P	LTR	DESCRIPTION	DATE	APVD
B		ECO-14-010531	10JUL2014	JM SJ
C		REV; ECO-14-014877	02OCT2014	GG LS



- 1 MATERIAL: FACEPLATE- POLYCARBONATE MOLDING
SEE TABLE FOR COLORS.
SPACER TUBING- POLYOLEFIN, BLACK.
- 2 THIS FACEPLATE CAN BE INSTALLED INTO PANELS WHICH ARE 2.03 [.080] TO 1.14 [.045] THICK.
- 3 FACEPLATE WILL ACCEPT ANY COMBINATION OF FOUR SL SERIES JACKS OR INSERTS.
- 4 THIS KIT SHIPPED UNASSEMBLED.
- 5 DIMENSIONS ARE NOMINAL UNLESS OTHERWISE SPECIFIED.



SUGGESTED MOUNTING



RECOMMENDED PANEL CUTOUT

NEMA GRAY	1933134-4
LT ALMOND	1933134-2
BLACK	1933134-1
COLOR	PART NO

THIS DRAWING IS A CONTROLLED DOCUMENT.		DWN J MCNEAL 04SEP2007	STE TE Connectivity	
DIMENSIONS: mm [INCHES]		CHK G BOWMAN 04SEP2007		
TOLERANCES UNLESS OTHERWISE SPECIFIED:		APVD G BOWMAN 04SEP2007	NAME FACEPLATE KIT, 4 PORT, SL SERIES, FLUSH MOUNT, FLEXMODE	
0 PLC ±	1 PLC ±	PRODUCT SPEC -	SIZE A2	CAGE CODE 00779
2 PLC ±	3 PLC ±	APPLICATION SPEC -	DRAWING NO C-1933134	RESTRICTED TO -
4 PLC ±	ANGLES ±	WEIGHT -	SCALE 2:1	SHEET 1 OF 1
MATERIAL	FINISH	Customer Drawing	REV C	