

4

3

2

1

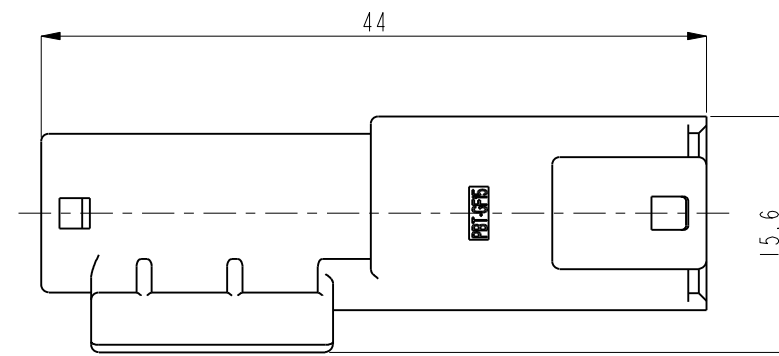
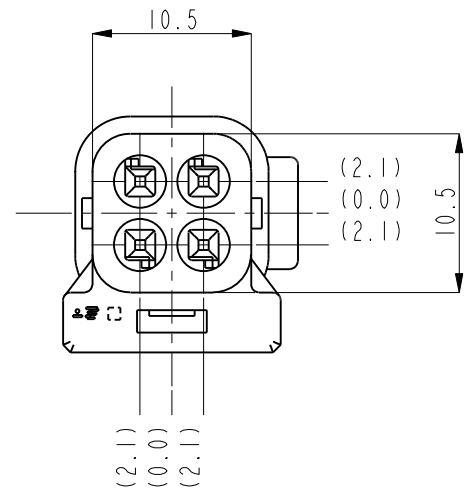
THIS DRAWING IS UNPUBLISHED.

RELEASED FOR PUBLICATION

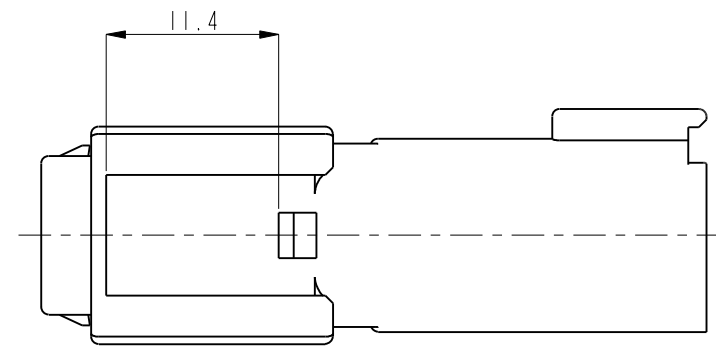
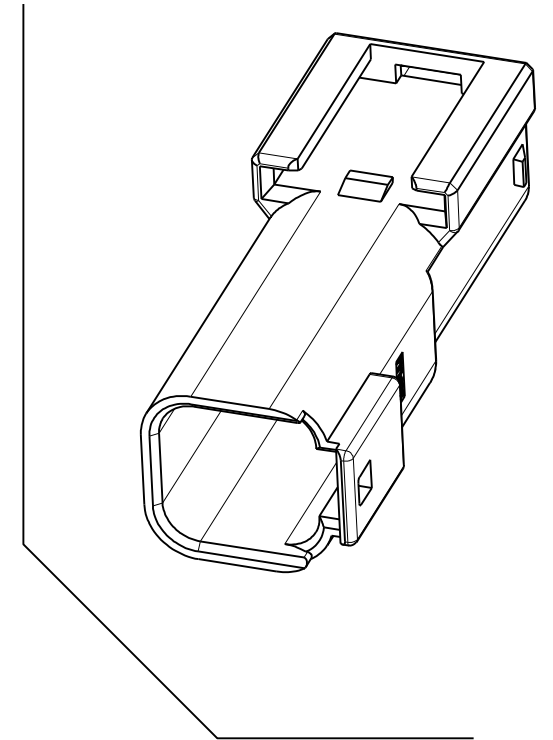
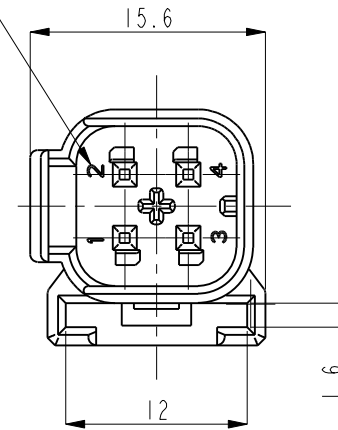
© COPYRIGHT

ALL RIGHTS RESERVED.

LOC	DIST	REVISIONS				
P	LTR	DESCRIPTION	DATE	DWN	APVD	
DS		A	RELEASE	15.JUN'11	YH	HG

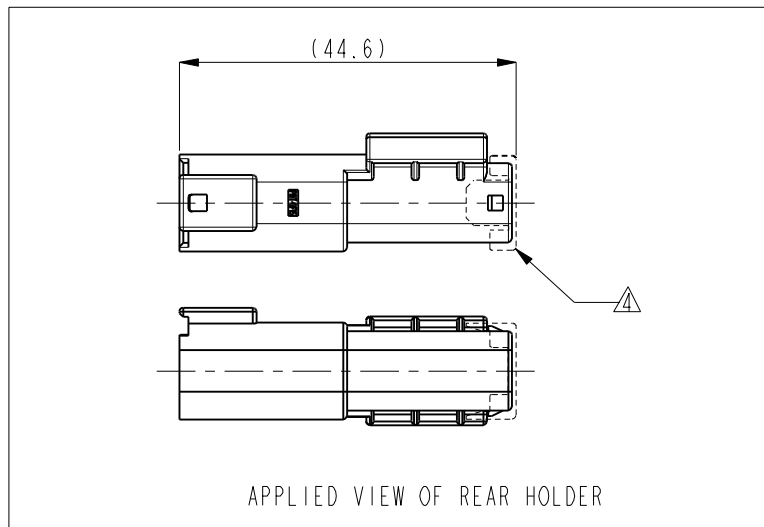


CIRCUIT NO.





NOTE
 1. GENERAL TOLERANCE : $\pm 0.3, \pm 3^\circ$
 2. THE MATING CONNECTOR : 2109100-2
 3. APPLICABLE TAB : SEE TABLE BELOW
 ⚠ APPLICABLE RETAINER : REAR HOLDER FOR MQS SLD 4P CAP HSG (P/N : 2109103-2)

TAB	TAB P/N	WIRE SIZE	WIRE INSULATION	WIRE SEAL P/N
MQS	962886-1	0.25-0.5	$\varnothing 0.9-1.4$	967067-2
025	965908-1	0.5-0.75	$\varnothing 1.4-1.9$	967067-1



BLACK	PBT-GF15	CAP HSG	2109102-2	A
COLOR	MATERIAL	DESCRIPTION	P/N	REV.

THIS DRAWING IS A CONTROLLED DOCUMENT.		DWN	YH LEE	-	 TE Connectivity
		CHK	KT LIM	-	
		APVD	HG CHO	-	
		PRODUCT SPEC	108-61128	-	
		APPLICATION SPEC	-	-	MQS SLD 4P CAP HSG
		WEIGHT	-	-	
DIMENSIONS: mm 		TOLERANCES UNLESS OTHERWISE SPECIFIED: 0 PLC \pm 1 PLC \pm 2 PLC \pm 3 PLC \pm 4 PLC \pm ANGLES \pm		SIZE CAGE CODE DRAWING NO A300700C- 2109102	
MATERIAL		FINISH		RESTRICTED TO	
		CUSTOMER DRAWING		SCALE 2:1	SHEET 1 OF 1 REV A