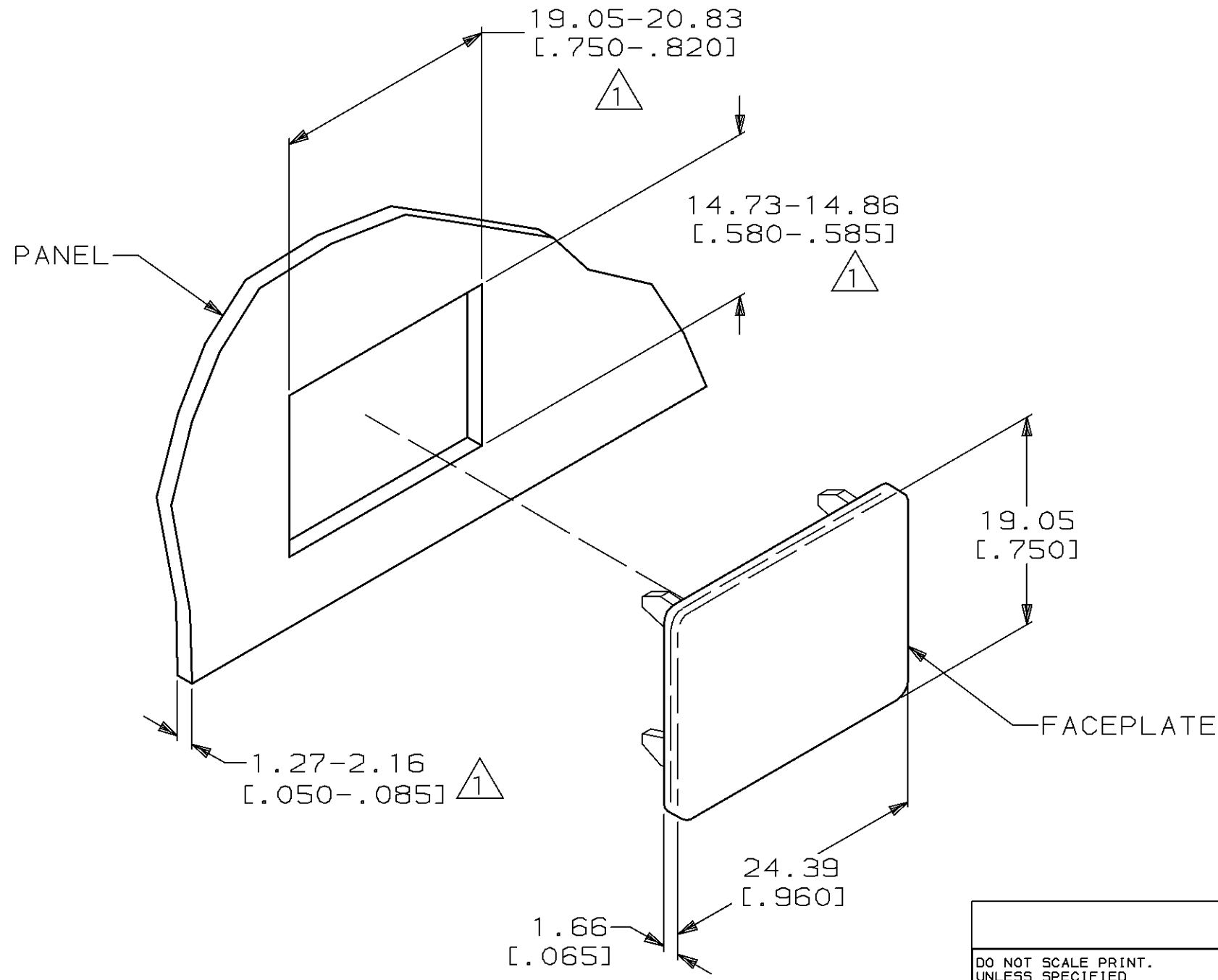


THIS DRAWING IS UNPUBLISHED. RELEASED FOR PUBLICATION, 19 .
 © COPYRIGHT 19 BY AMP INCORPORATED. ALL INTERNATIONAL RIGHTS RESERVED.

LOC	DIST	P	F	REVISIONS				
AA	28			ZONE	LTR	DESCRIPTION	DATE	APPD
					0	RLSD; NPR C93-298	12-3-93	DS BF



- ① RECOMMENDED PANEL CUTOUT.
- ② MATERIAL: FACEPLATE-ABS MOLDING COMPOUND. SEE TABLE FOR COLOR.
- ③ DIMENSIONS ARE MAXIMUM UNLESS OTHERWISE SPECIFIED.
- ④ PACKAGE 25 PER POLYBAG.

LT ALMOND	④ 558186-4
BLACK	④ 558186-2
COLOR	PART NO

DO NOT SCALE PRINT. UNLESS SPECIFIED DIMENSIONS IN mm [INCHES] TOLERANCES ON: 2 PLC DEC ± ③ 3 PLC DEC ± ANGLES ±	DR 12-3-93 D. STRAUSSER	AMP AMP Incorporated Harrisburg, PA 17105-3608
	CHK 12-6-93 B. FOX	
	APPD 12-6-93 J. BONDS	
	APPD 12-6-93 J.R. SCHLUNZ	
MATERIAL ②	PRODUCT SPEC -	NAME FACEPLATE, BLANK INSERT, FLEX MODE
FINISH -	APPLICATION SPEC -	SIZE B
	WEIGHT -	CAGE CODE 00779
		DRAWING NO C-558186
		SCALE 2:1
		SHEET 1 OF 1

THIS DRAWING IS A CONTROLLED DOCUMENT FOR AMP INCORPORATED. IT IS SUBJECT TO CHANGE AND THE CONTROLLING ENGINEERING ORGANIZATION SHOULD BE CONTACTED FOR THE LATEST REVISION.