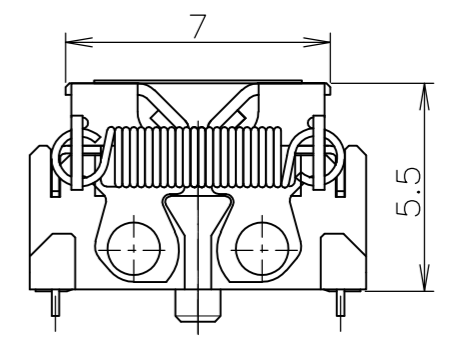
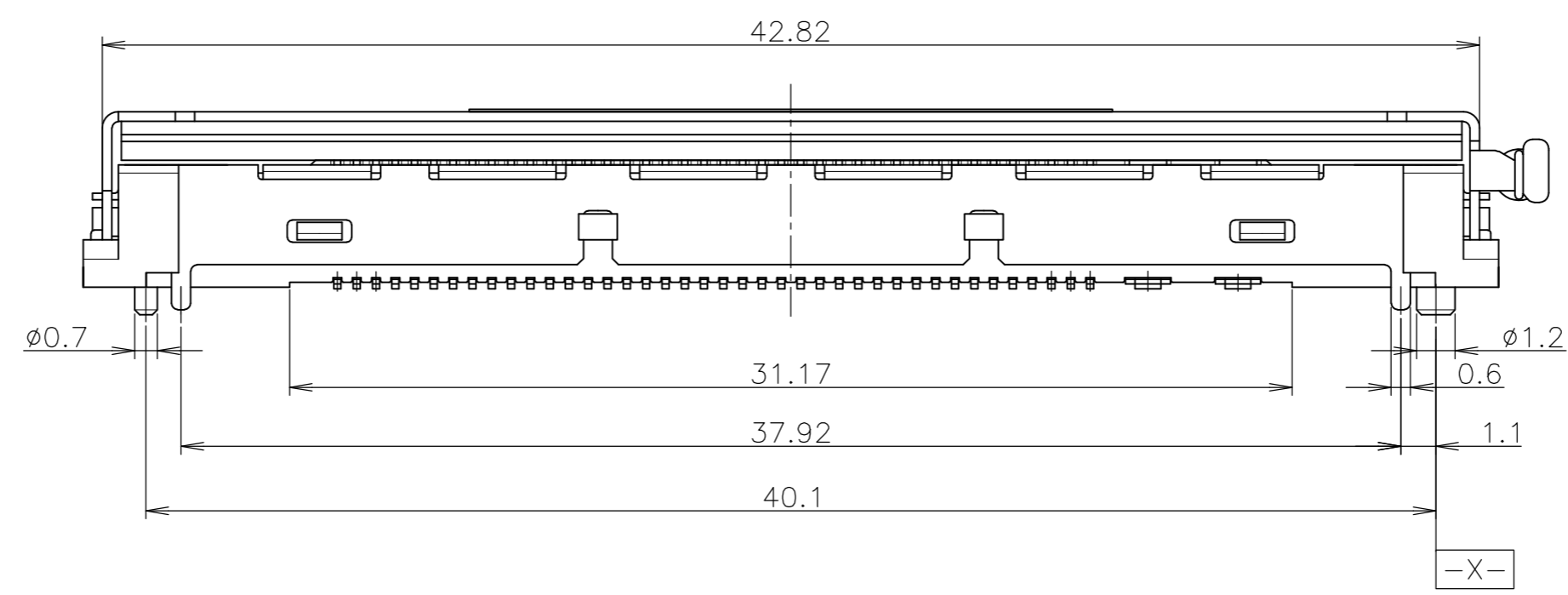
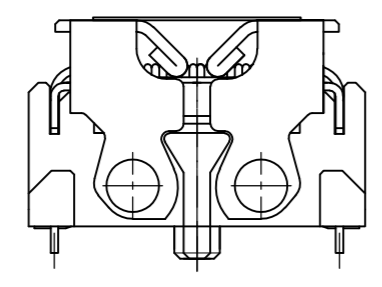
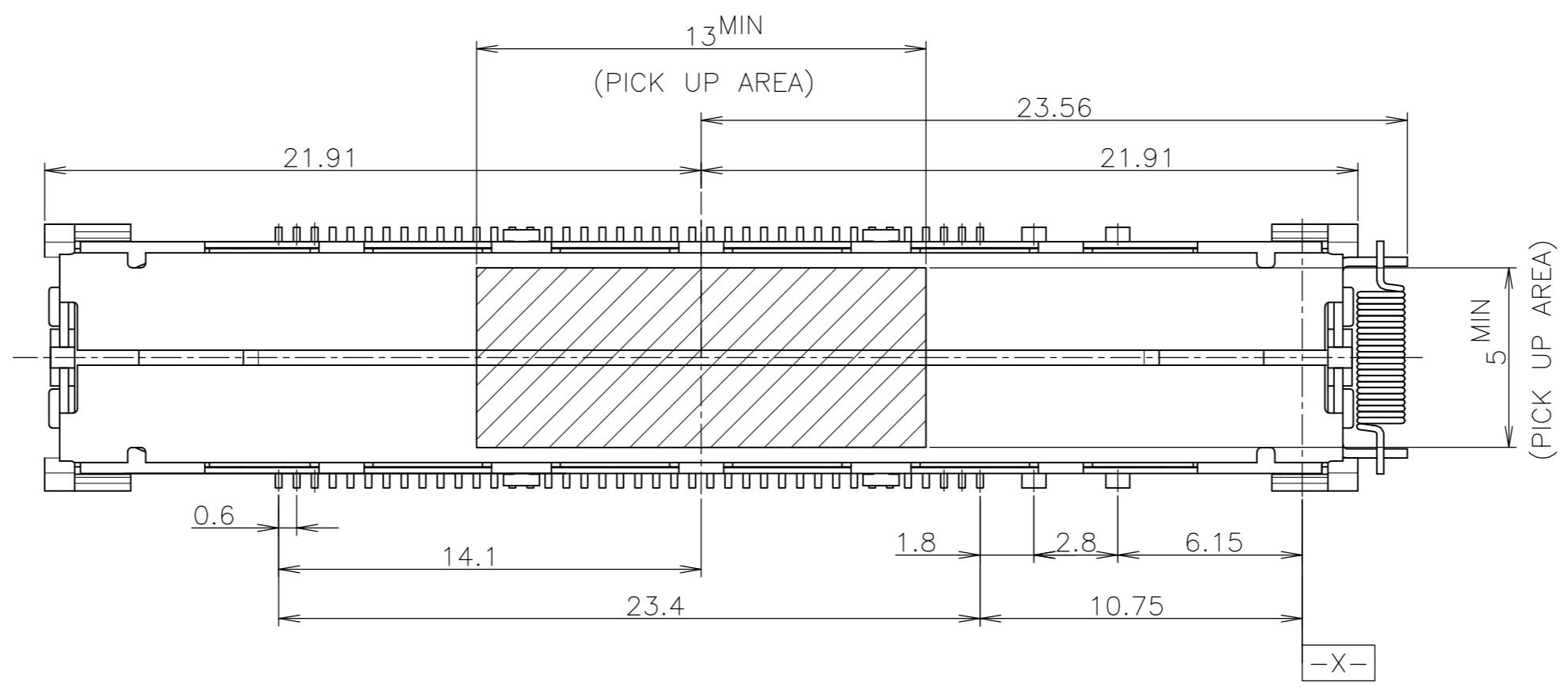
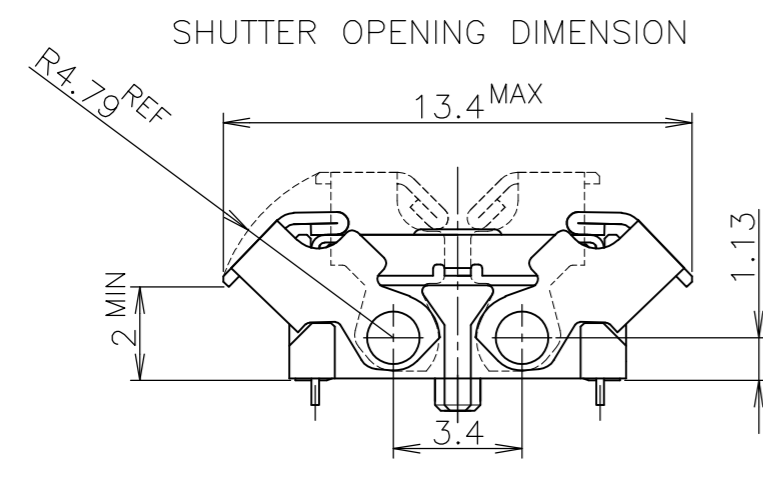


THIS DRAWING IS UNPUBLISHED. RELEASED FOR PUBLICATION AUG, 2004.  
 © COPYRIGHT 2004 By Tyco Electronics Japan G.K. ALL RIGHTS RESERVED.

LOC	DIST	REVISED			DATE	DWN	APVD
J		P	LTR	DESCRIPTION			
		D	REVISED	ECR-11-015358	12JUL2011	M.T	T.K

-1 & -3 ; AS SHOWN



- △ MATERIAL  
 HOUSING, TINE PLATE: THERMOPLASTIC, UL94V-0, BLACK  
 SIGNAL CONTACT: COPPER ALLOY  
 POWER CONTACT: COPPER ALLOY  
 GROUND PLATE : COPPER ALLOY  
 SHUTTER COVER, SPRING: STAINLESS STEEL
- △ FINISH  
 SIGNAL CONTACT & POWER CONTACT:  
 Au PL. ON CONTACT AREA  
 TIN PL. ON SOLDER AREA  
 Ni UNDER PL. ALL OVER  
 GROUND PLATE:  
 6674154-1 TIN PL.(MATTE) / Ni UNDER PL.  
 6674154-3 SELECTIVE TIN PL. (REFLOW) / Ni UNDER PL.  
 SHUTTER COVER: BLACK Ni PL.
- 3 APPLICABLE THICKNESS OF P.C.BOARD: 1.2±0.1mm
- 4 CONNECTOR TO BE MATED: 6674147-1
- 5 TRAY MATERIAL; PS COLOR; NATURAL
- 6 THE DIRECTION OF EACH CONNECTOR ON A TRAY IS REFERRED TO THIS DRAWING.
- 7 GENERAL TOLERANCE: ±0.3 ±3'
- 8 QUANTITY: 50EA/TRAY

- △ 材質  
 ハウジング: 熱可塑性樹脂 UL94V-0, 黒  
 シグナルコンタクト: 銅合金  
 パワーコンタクト: 銅合金  
 グランドプレート: 銅合金  
 シャッターカバー、スプリング: ステンレス鋼
- △ 仕上げ  
 シグナルコンタクト & パワーコンタクト:  
 ニッケル下地接点部めっき、はんだ付け部すずめっき  
 グランドプレート:  
 6674154-1 無光沢すずめっき / ニッケル下地めっき  
 6674154-3 部分すずめっき (リフロー) / ニッケル下地めっき  
 シャッターカバー: 黒色ニッケルめっき
- 3 適用基板厚: 1.2±0.1mm
- 4 かん合相手型番: 6674147-1
- 5 トレイ 材質; PS 色; NATURAL
- 6 トレイの寸法とコネクタの方向は本図を参照のこと
- 7 一般公差: ±0.3 ±3'
- 8 数量: 50EA/TRAY

BLACK	SELECTIVE TIN-PLATED (REFLOW)	6674154-3
BLACK	TIN-PLATED (MATTE)	6674154-1
SHUTTER COLOR	GROUND PLATE FINISH	PARTS NUMBER

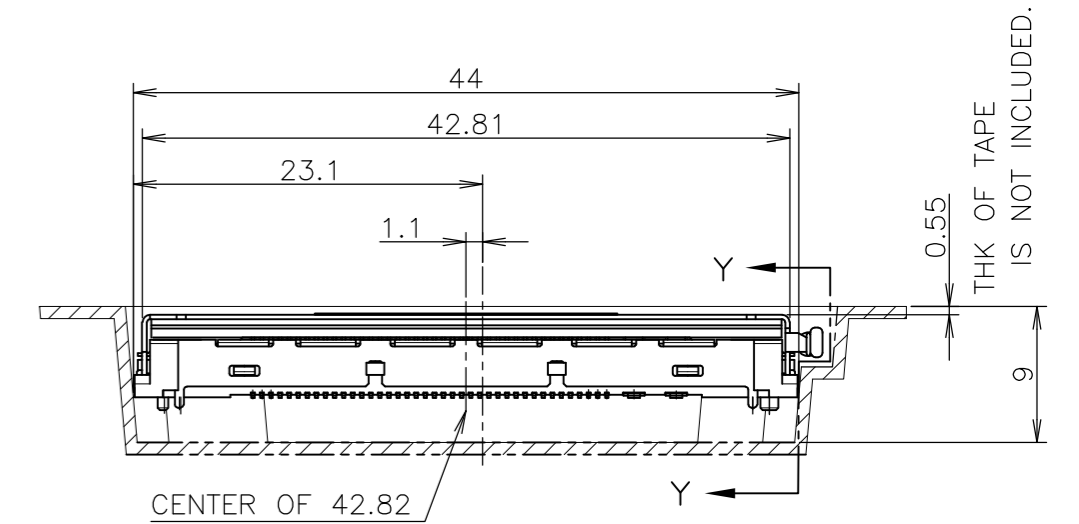
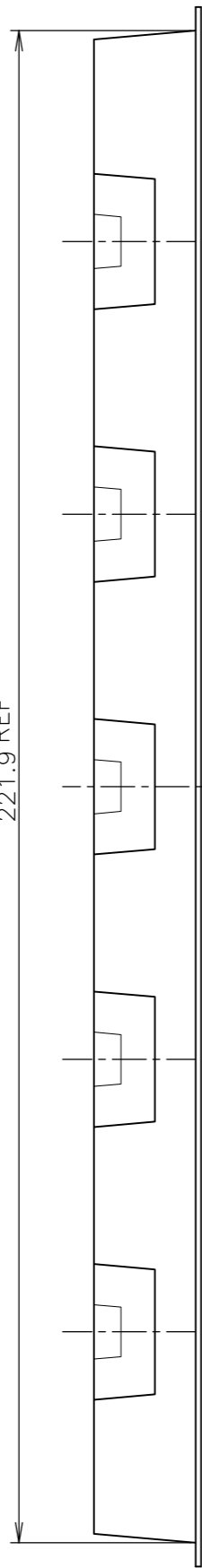
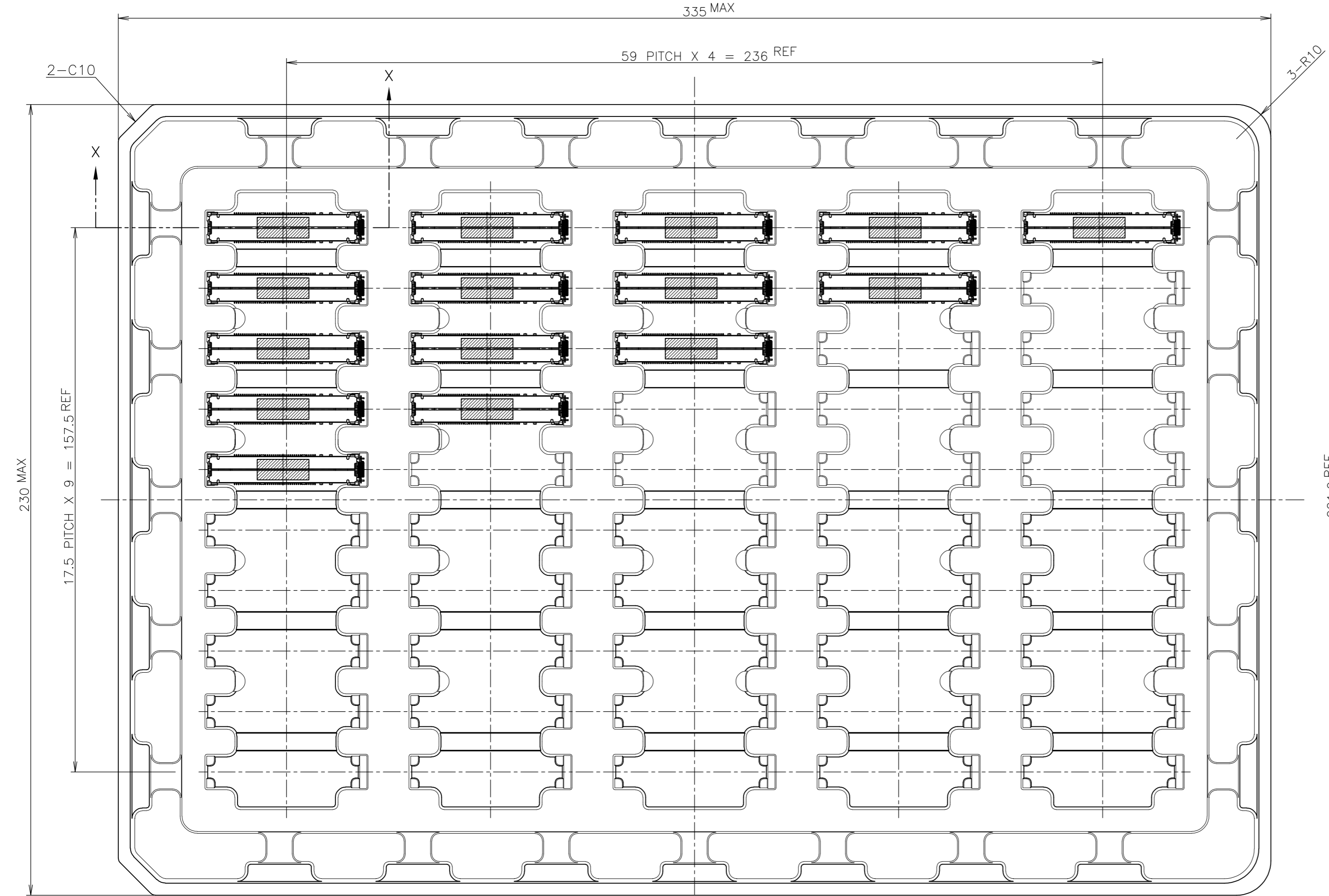
THIS DRAWING IS A CONTROLLED DOCUMENT.

DIMENSIONS: 単位: 概 mm	TOLERANCES UNLESS OTHERWISE SPECIFIED 一般公差	DWN N.SASAME 30AUG2004	
		CHK S.KAJINUMA 30AUG2004	
		APVD Y.YAMAMOTO 09OCT2004	
		PRODUCT SPEC 108-78253	
MATERIAL 材料	FINISH 仕上	NAME 名称 0.6 DOCKING CONNECTOR W/SHUTTER PLUG 80P + POWER 4P	RESTRICTED TO
		APPLICATION SPEC 取付適用規格	SIZE A2
		WEIGHT 3.0g	CAGE CODE 00779
		CUSTOMER DRAWING	SCALE 尺度 5:1
			DRAWING NO 番号 C=6674154
			SHEET 1 of 3
			REV D

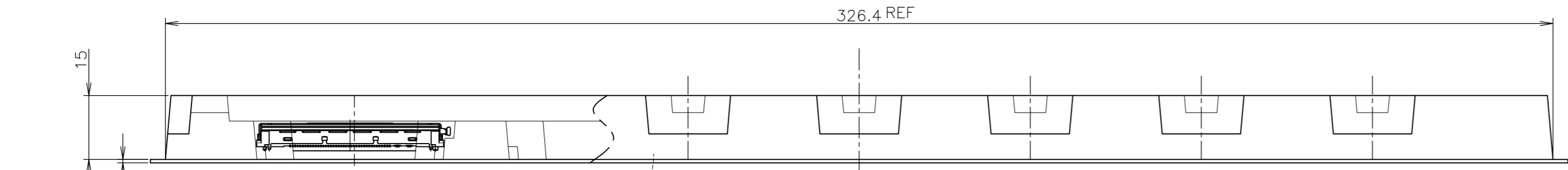
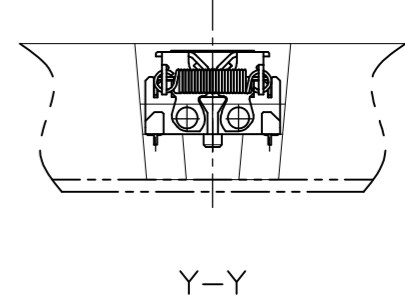
THIS DRAWING IS UNPUBLISHED. RELEASED FOR PUBLICATION AUG, 2004.  
 © COPYRIGHT 2004 By Tyco Electronics Japan G.K. ALL RIGHTS RESERVED.

LOC	DIST	REVISIONS					
J		P	LTR	DESCRIPTION	DATE	DWN	APVD
		-		SEE SHEET 1	-	-	-

# SEMI HARD TRAY ASSY



DETAIL C  
SCALE 2:1



X-X

DETAIL C

THIS DRAWING IS A CONTROLLED DOCUMENT.		DWN	<b>TE</b> TE Connectivity	
DIMENSIONS: 單位: 毫米 mm		CHK		
TOLERANCES UNLESS OTHERWISE SPECIFIED 一般公差		APVD	NAME 名稱	
0 PLC ±	1 PLC ±	PRODUCT SPEC 製品規格	0.6 DOCKING CONNECTOR W/SHUTTER PLUG 80P + POWER 4P	
2 PLC ±	3 PLC ±	APPLICATION SPEC 取付適用規格	SIZE A2	CAGE CODE 00779
4 PLC ±	ANGLES ±	WEIGHT	DRAWING NO. 番号 C=6674154	RESTRICTED TO
MATERIAL 材料	FINISH 仕上	CUSTOMER DRAWING	SCALE 尺度 1:1	SHEET 2 OF 3

