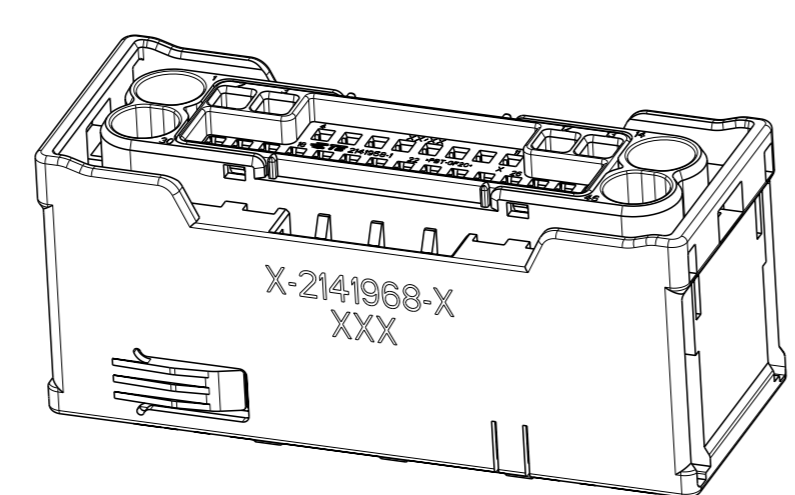
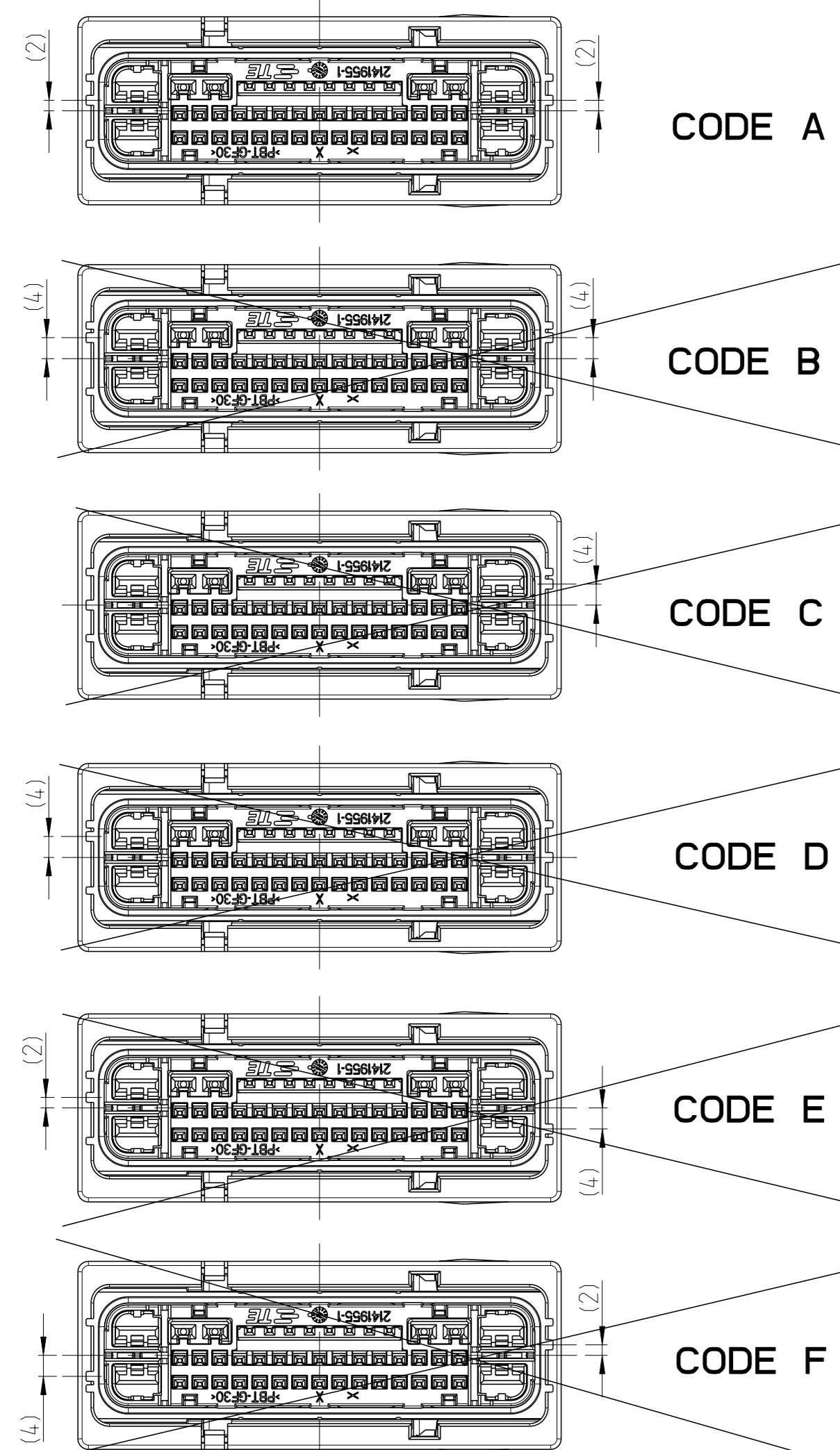
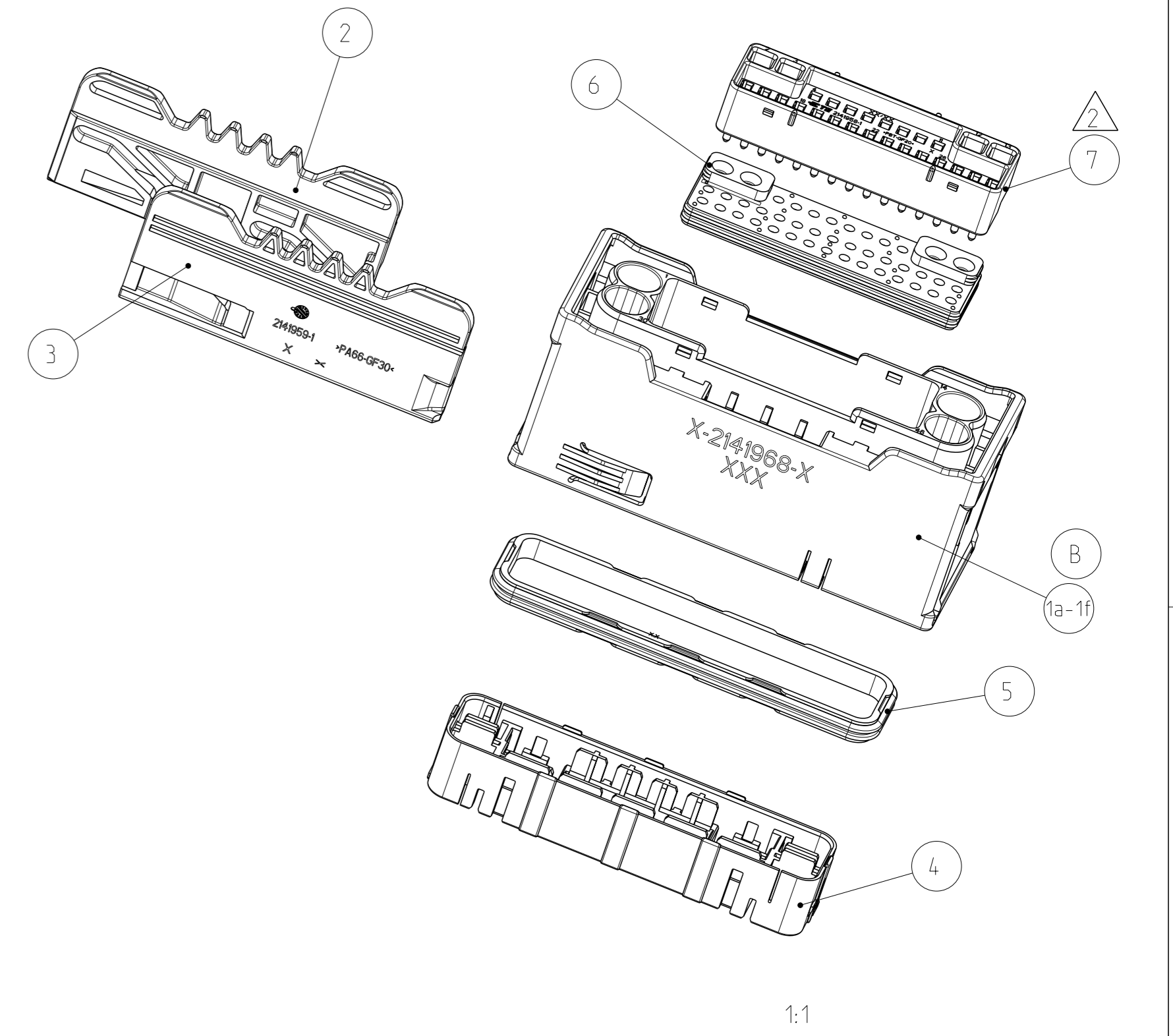
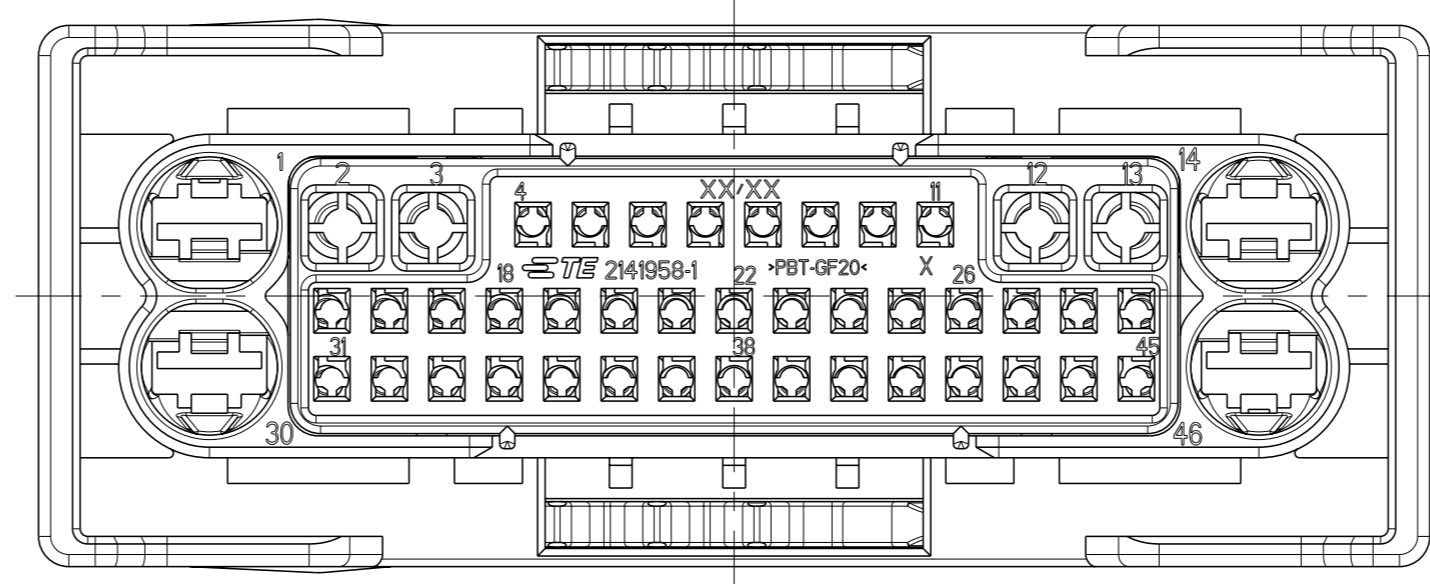
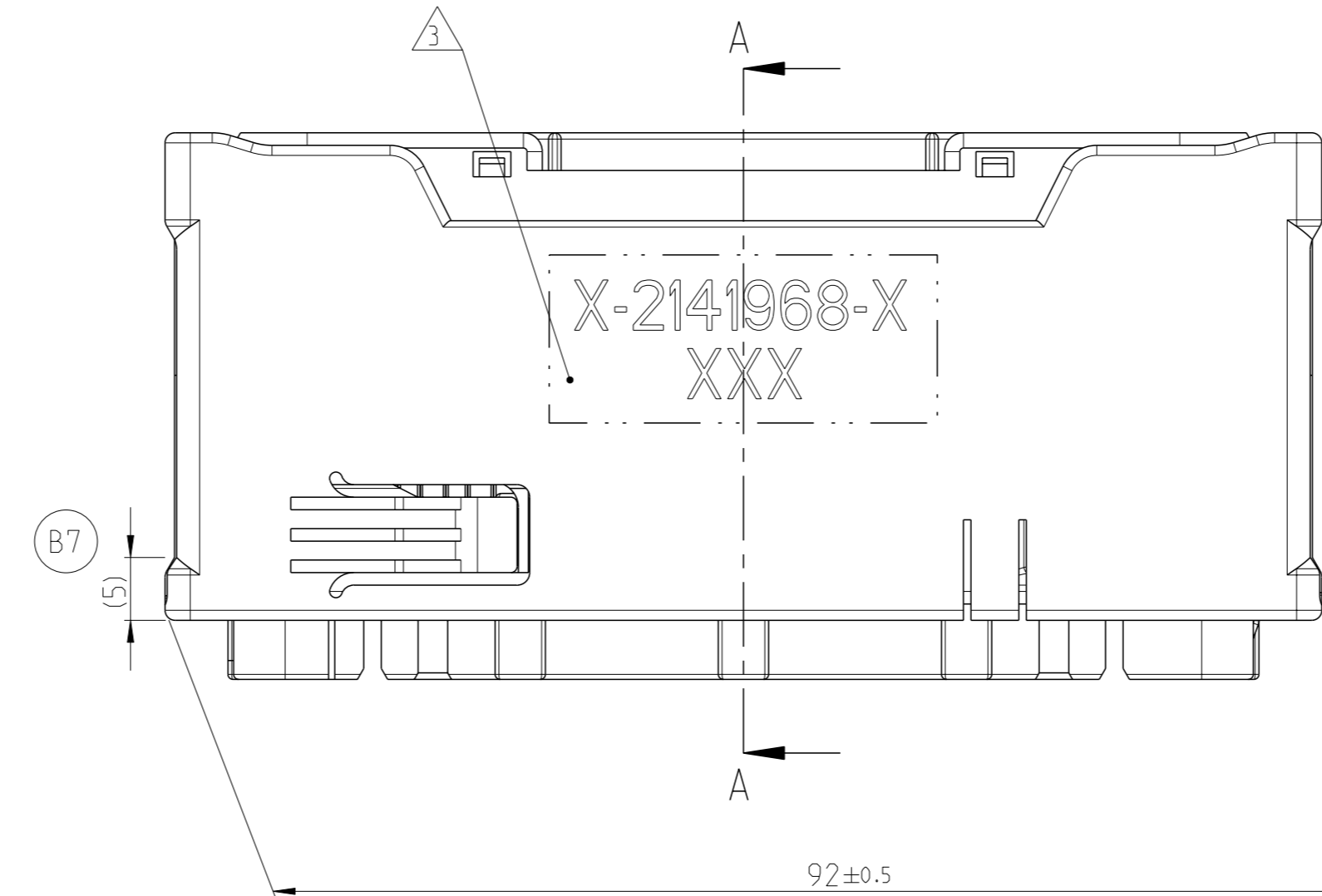
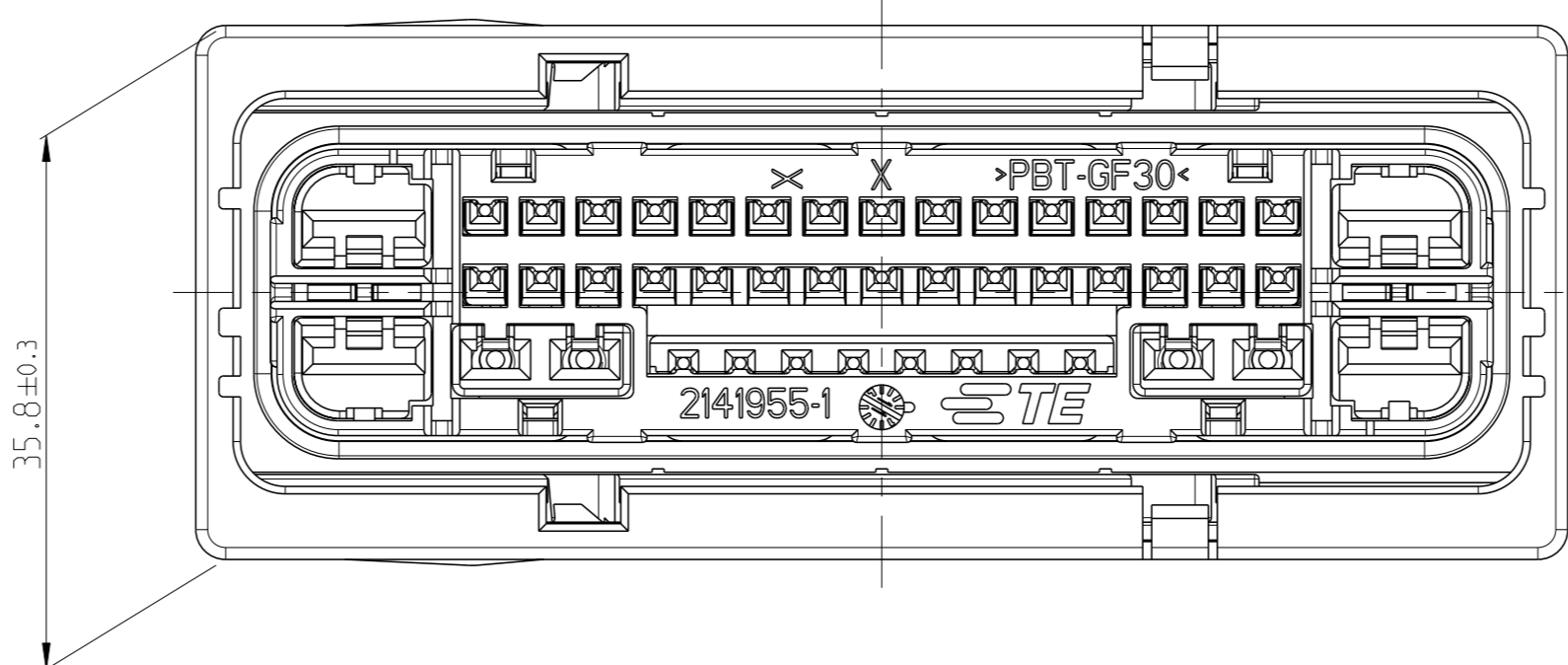
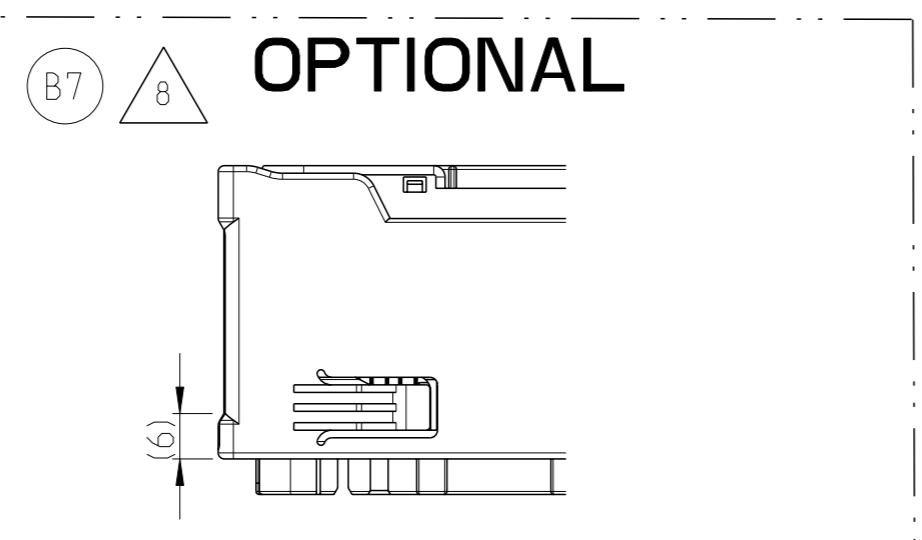
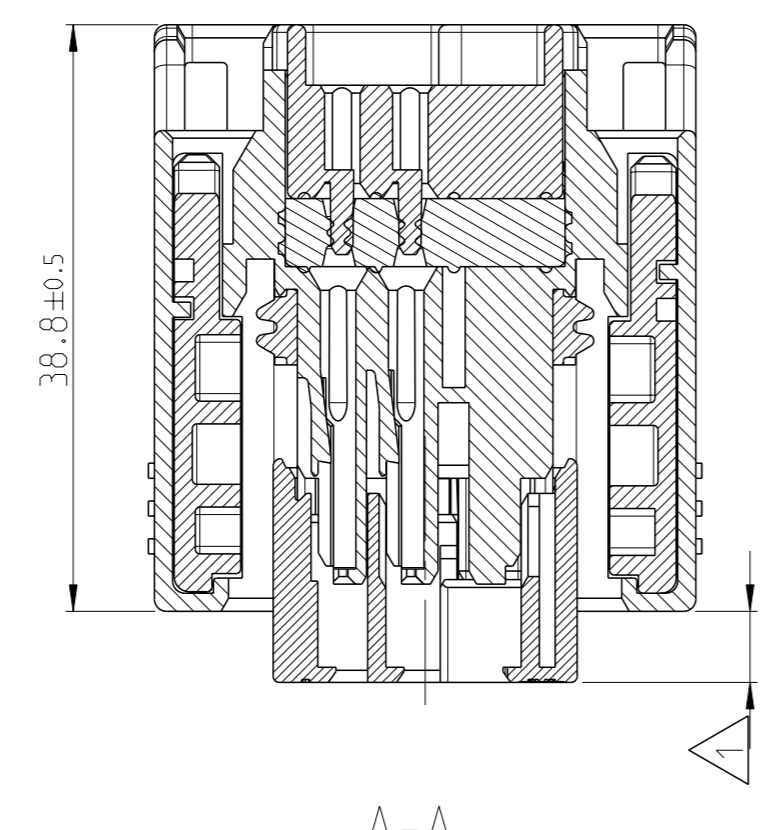


# CODING OPTIONS

1:1



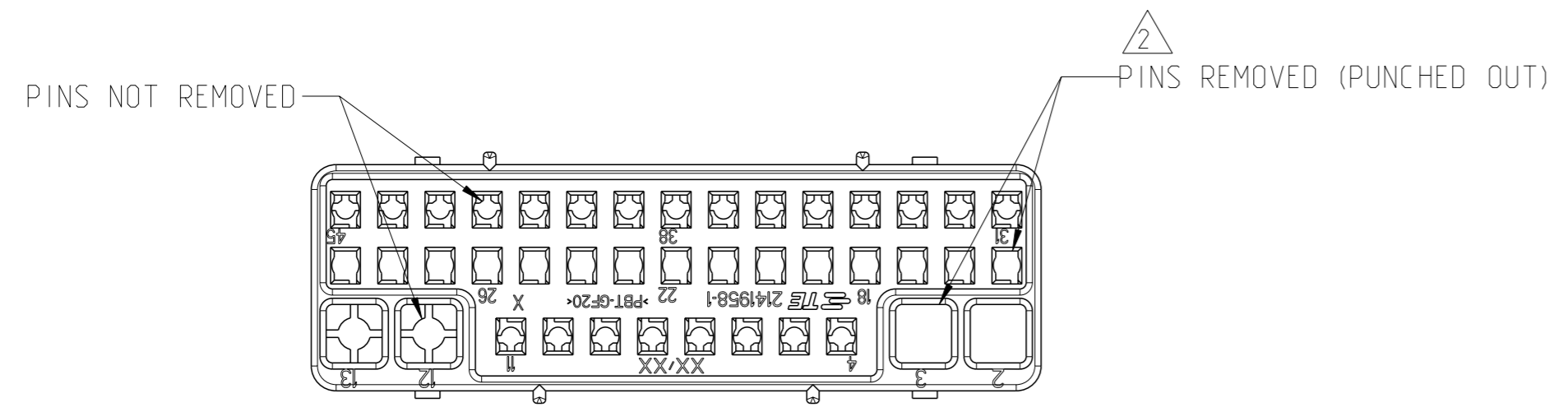
1:1



LOC	DIST	REVISIONS				
		REV	DESCRIPTION	DATE	OWN	APVD
A1	-	B5	SEE PCN E-13-010166	24 JUN 2013	GH	HR
		B6	SEE PCN E-14-000497	13 JAN 2014	GH	HR
		B7	SEE PCN E-15-006119	20 APR 2015	JR	HR

APPLICABLE COMPONENTS BOX						
DESCRIPTION	PLATING / COLOUR	SUPPLIER	SUPPLIER PART NO. (WIRE SIZE)	TE APPL. SPEC	APPL. SPEC	APPL. CONTACT CAVITY NUMBER
0.64 GENERATION Y UNSEALED FEMALE TERMINAL	TIN	TE	2098753-6	114-13183	114-15-29, 31-45	4-11, 15-29, 31-45
0.64 GENERATION Y UNSEALED FEMALE TERMINAL	TIN	TE	2098753-5	114-13183	114-15-29, 31-45	4-11, 15-29, 31-45
2.8 UNSEALED FEMALE TERMINAL	TIN	FC1	54002231 (AWG 22)	-	2, 3, 12, 13	2, 3, 12, 13
2.8 UNSEALED FEMALE TERMINAL	TIN	FC1	54001431 (AWG 14)	-	2, 3, 12, 13	2, 3, 12, 13
2.8 UNSEALED FEMALE TERMINAL	TIN	FC1	54001839 (AWG 18)	-	2, 3, 12, 13	2, 3, 12, 13
6.3 SEALED FEMALE TERMINAL	TIN	YAZAKI	7116-4140-02 (0.5-1.0mm <sup>2</sup> )	-	1, 14, 30, 46	1, 14, 30, 46
6.3 SEALED FEMALE TERMINAL	TIN	YAZAKI	7116-4141-02 (1.5mm <sup>2</sup> )	-	1, 14, 30, 46	1, 14, 30, 46
6.3 SEALED FEMALE TERMINAL	TIN	YAZAKI	7116-4142-02 (2.5-4.0mm <sup>2</sup> )	-	1, 14, 30, 46	1, 14, 30, 46
6.3 SEALED FEMALE TERMINAL	TIN	YAZAKI	7116-4143-02 (AWG 10)	-	1, 14, 30, 46	1, 14, 30, 46
WIRE SEAL FOR 6.3 TERMINAL (SMALL)	RED	YAZAKI	7158-3081-50	-	-	-
WIRE SEAL FOR 6.3 TERMINAL (MEDIUM)	BLUE	YAZAKI	7158-3082-90	-	-	-
WIRE SEAL FOR 6.3 TERMINAL (LARGE)	BLACK	YAZAKI	7158-3083	-	-	-
WIRE SEAL FOR 6.3 TERMINAL (X-LARGE)	LIGHT GREY	YAZAKI	X39858-A400	-	-	-
PLUG FOR 6.3 TERMINAL	GREEN	YAZAKI	7158-3080-60	-	1, 14, 30, 46	1, 14, 30, 46
WIRE COVER	BLACK	TE	2141969-1V-2	114-94044	-	-

## MAT SEAL COVER PINOUT CONFIGURATION EXAMPLE



### NOTES BEMERKUNGEN

- 1 DELIVERY CONDITION: SPACER (TPA) IN PRE-LOCK POSITION
- 2 APPROPRIATE PINOUT CONFIGURATION OF THE MAT SEAL COVER ACC. TABLE ON SHEET 2 TO BE PUNCHED OUT BEFORE ASSEMBLING THE MAT SEAL COVER
- 3 A THREE DIGIT MARKING AND THE TE CONNECTIVITY PART NUMBER ACC. PINOUT TABLE ON SHEET 2 LOCATED ON THE SIDE OF THE FEMALE HOUSING
- 4 PART MUST MATE WITH TE CONNECTIVITY INTERFACE SPECIFICATION 114-94025
- 5 SEALING FUNCTION OF THE MAT SEAL REQUIRES FOLLOWING WIRE SIZE DIMENSIONS:  
 0.5mm<sup>2</sup>-0.75mm<sup>2</sup> WITH CABLE OUTER DIAMETER 1.4-1.9mm FOR 0.64mm GENERATION Y SIGNAL TERMINALS  
 1.0mm<sup>2</sup>-2.5mm<sup>2</sup> WITH CABLE OUTER DIAMETER 1.9-3.0mm FOR FC1 APEX 2.8mm POWER TERMINALS
- 6 ONLY FOR INFORMATION. CHECK LATEST REVISION OF THE SUPPLIER SPECIFICATION FOR TERMINAL PROPERTIES
- 7 MATING INTERFACE ACCORDING TE SPECIFICATION 114-94025
- 8 OPTIONAL DIMENSIONS CAN BE 5mm and 6mm

QTY	DESCRIPTION	COLOUR	ITEM NO
1	MAT SEAL COVER	BLACK RAL 9011	7
1	MAT SEAL	LIGHT BLUE	6
1	PERIPHERAL SEAL	LIGHT BLUE	5
1	SPACER (TPA)	RED RAL 3000	4
1	SLIDER LEFT	BLACK RAL 9011	3
1	SLIDER RIGHT	BLACK RAL 9011	2
1	HOUSING, CODE F	BLACK RAL 9011	1f
1	HOUSING, CODE E	BLACK RAL 9011	1e
1	HOUSING, CODE D	BLACK RAL 9011	1d
1	HOUSING, CODE C	BLACK RAL 9011	1c
1	HOUSING, CODE B	BLACK RAL 9011	1b
1	HOUSING, CODE A	BLACK RAL 9011	1a
1	X-2141968-X	DESCRIPTION	COLOUR
1	SEE SHEET 2	REVISION OF EACH ASSEMBLY NUMBER	ITEM NO
85	WEIGHT OF EACH ASSEMBLY NUMBER [g]		

THIS DRAWING IS A CONTROLLED DOCUMENT.

OWN: G. HOIEA	25MAY2011	TE Connectivity 46WAY ABS CONNECTOR ASSEMBLY.
CHK: H. RIPPER	25MAY2011	
APVD: G. MUMPER	25MAY2011	NAME: 46WAY ABS CONNECTOR ASSEMBLY.
DIMENSIONS: mm		SIZE: 114-94044
TOLERANCES UNLESS OTHERWISE SPECIFIED:		WEIGHT: 85g
0 PLC	±	CAGE CODE: 00779
1 PLC	±	DRAWING NO: C-2141968
2 PLC	±	SHEET: 1 of 2
3 PLC	±	REV: B7
4 PLC	±	SCALE: 5:1
ANGLES	±	
FINISH	-	

CUSTOMER DRAWING

LOC	DIST	REVISIONS					
		P	LYR	DESCRIPTION	DATE	OWN	APVD
A1	-	-	-	SEE SHEET 1	-	-	-

CUSTOMER	CUSTOMER PART NUMBER	MARKING FOR PINOUT CONFIGURATION	CODING OPTION	REV	TE PART NUMBER	TOTAL OPEN	TOTAL BLOCKED	1	2	3	4	5	6	7	8	9	10	11	12	13	14	15	16	17	18	19	20	21	22	23	24	25	26	27	28	29	30	31	32	33	34	35	36	37	38	39	40	41	42	43	44	45	46
FORD	CU5T-14A464-SB-012	012	A	B	1-2141968-2	27	19																					20	21	22	23	25	26	27	28	29	31	32	33	34	36	37	38	40			44	45					
FORD	CU5T-14A464-SB-011	011	A	B	1-2141968-1	29	17																					20	21	22	23	25	26	27	28	29	31		34	36	37	38	40			44	45						
FORD	CU5T-14A464-SB-010	010	A	B	1-2141968-0	14	32	2	3	4	5	6	7	8	9	10	11	12	13	15	16						20	21	22	23	25	26		28	29		32	33	34	35	36		38			42	43	44	45				
FORD	CU5T-14A464-SB-009	009	A	B	0-2141968-9	18	28	2	3			5	6	7		9	10	11		15	16	17					20	21	22	23	24	25	26	27	28	29	31	32	33				38	39	40	41							
FORD	CU5T-14A464-SB-008	008	A	B	0-2141968-8	17	29	2	3			5	6	7		9	10	11		15	16	17					20	21	22	23	24	25	26	27	28	29	31	32	33	34			38	39	40	41							
FORD	CU5T-14A464-SB-007	007	A	B	0-2141968-7	17	29	2	3										12	13		15	16	17	18	19	20	21	22	23	24	25	26	27	28	29	31		34	36	37	38	39	40	41			44	45				
FORD	CU5T-14A464-SB-006	006	A	B	0-2141968-6	18	28	2	3									12	13		15	16	17	18	19	20	21	22	23	24	25	26	27	28	29	31	32	33	34			37	38	39	40	41							
FORD	CU5T-14A464-SB-005	005	A	B	0-2141968-5	18	28	2	3									12	13		15	16	17	18	19	20	21	22	23	24	25	26	27	28	29	31			36	37	38	39	40	41			44	45					
FORD	CU5T-14A464-SB-004	004	A	B	0-2141968-4	25	21														15	16					20	21	22	23		25	26	27	28	29	31	32	33	34	36	37	38	40			44	45					
FORD	CU5T-14A464-SB-003	003	A	B	0-2141968-3	40	6														15	16						20	21	22	23		25	26	27	28	29	31		34		37		40									
FORD	CU5T-14A464-SB-002	002	A	B	0-2141968-2	28	18														15	16					20	21	22	23		25	26	27	28	29	31	32	33	34			37	38		40							
FORD	CU5T-14A464-SB-001	001	A	B	0-2141968-1	32	14	2	3									12	13						17	18	19										24			27			31			37	39	40	41				
FORD	CU5T-14A464-SB-000	000	A	B	9-2141968-9	46	0																																														
								CHARTED BLOCKED CAVITY CONFIGURATIONS WITH A CAVITY NUMBER LISTED INDICATE BLOCKED TERMINAL POSITIONS																																													
								CHARTED BLOCKED CAVITY CONFIGURATIONS WITHOUT A CAVITY NUMBER LISTED INDICATE OPEN TERMINAL POSITIONS																																													

THIS DRAWING IS A CONTROLLED DOCUMENT.

DIMENSIONS: mm	TOLERANCES UNLESS OTHERWISE SPECIFIED:	OWN: G. HOIEA 25MAY2011	CHK: H. RIPPER 25MAY2011	APVD: G. MUMPER 25MAY2011	NAME: ASSEMBLY 46WAY ABS CONNECTOR
	0 PLC ± 1 PLC ± 2 PLC ± 3 PLC ± 4 PLC ±	SIZE: A1	CAGE CODE: 00779	DRAWING NO: C=2141968	RESTRICTED TO: -
MATERIAL: -	FINISH: -	WEIGHT: -	SCALE: 5:1	SHEET: 2 OF 2	REV: B7

TE Connectivity