

THIS DRAWING IS UNPUBLISHED.

RELEASED FOR PUBLICATION

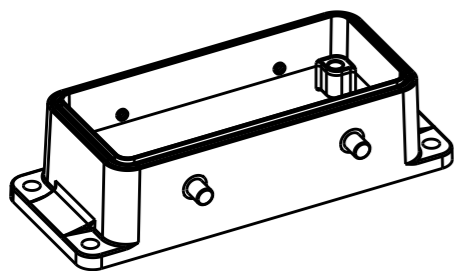
20

© COPYRIGHT 20 BY -

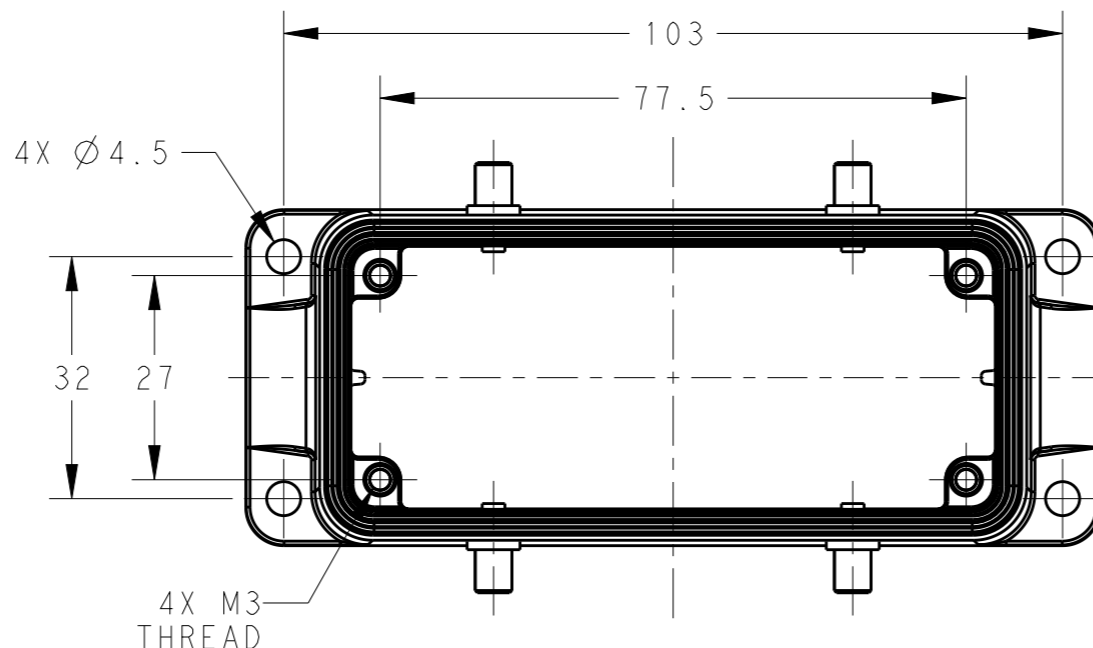
ALL RIGHTS RESERVED.

REVISIONS

P	LTR	DESCRIPTION	DATE	DWN	APVD
	A	INITIAL	22JAN2015	DW	CW



SCALE 1:2



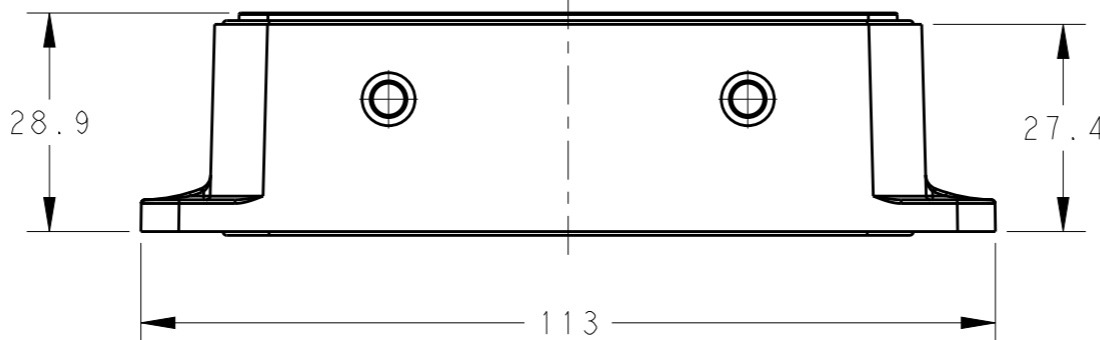
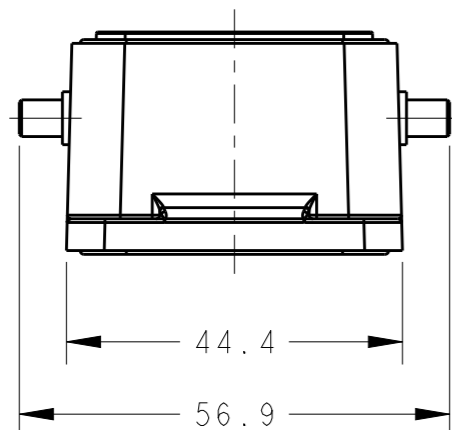
4X M3
THREAD

NOTES:

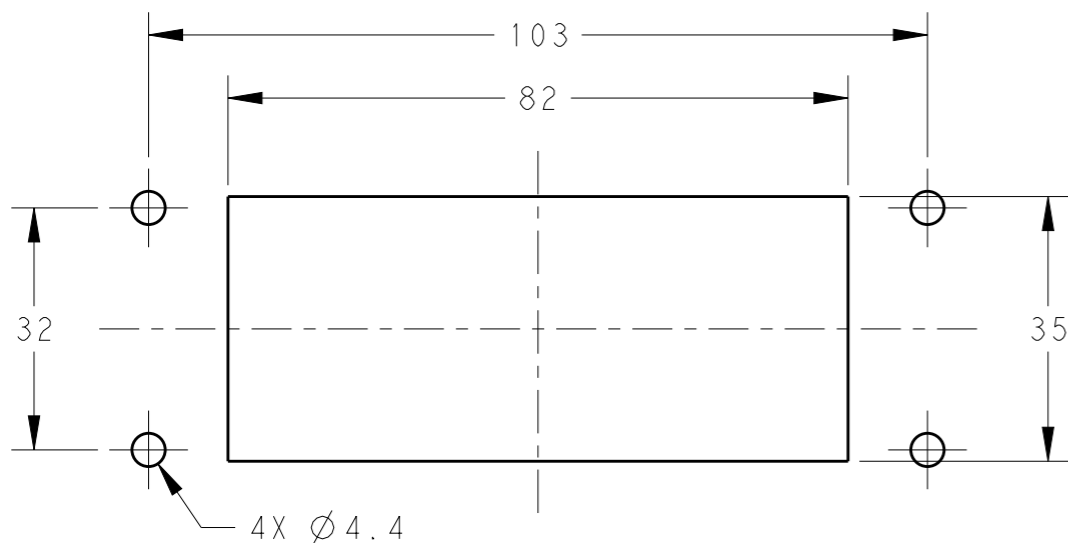
- 1. TECHNICAL CHARACTERISTICS:
 HOOD MATERIAL: DIE CAST ALUMINIUM ALLOY
 SURFACE: CONDUCTIVE PAINTING
 SEAL MATERIAL: NBR
 OPERATION TEMPERATURE: -40-+125°C
 DEGREE OF PROTECTION: IP65 (MATED)

注释:

- 1. 技术参数:
 上壳材料: 铝合金
 表面处理: 喷导电漆
 密封圈材料: NBR
 工作温度: -40-+125°C
 防护等级: IP65(配合)




PANEL CUT OUT



4X Ø 4.4

H16B-AG-BO-EMC	T1425160000-000
DESCRIPTION	PART NUMBER

THIS DRAWING IS A CONTROLLED DOCUMENT.		DWN	10Jul2014	 TE Connectivity	
DIMENSIONS:		CHK	10Jul2014		
mm		APVD	10Jul2014		
TOLERANCES UNLESS OTHERWISE SPECIFIED:		NAME	Xiang Xu		
0 PLC ±-		PRODUCT SPEC	108-137016	H16B-AG-BO-EMC	
1 PLC ±-		APPLICATION SPEC	114-137016	SIZE	A3
2 PLC ±-		WEIGHT	-	CAGE CODE	00779
3 PLC ±-		Customer Drawing		DRAWING NO	©-T1425160000000
4 PLC ±-		SCALE		1:1	SHEET
ANGLES ±-		SHEET		1	OF
FINISH		REV		A	
-		RESTRICTED TO		-	