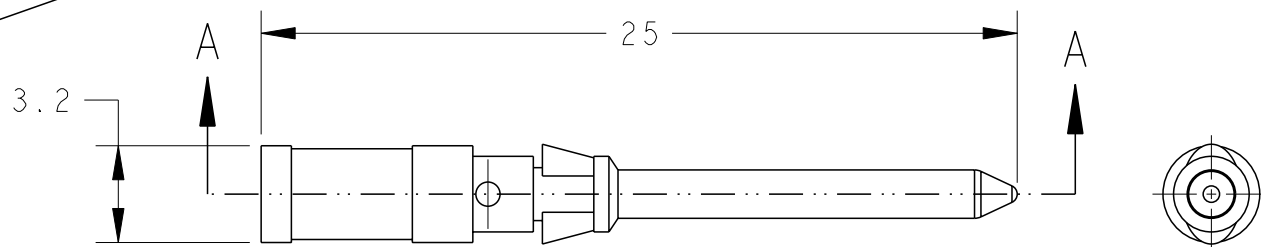
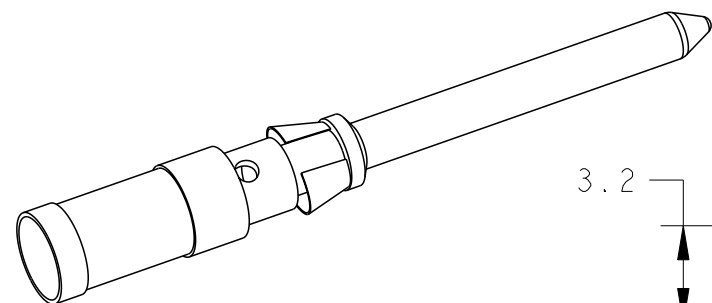
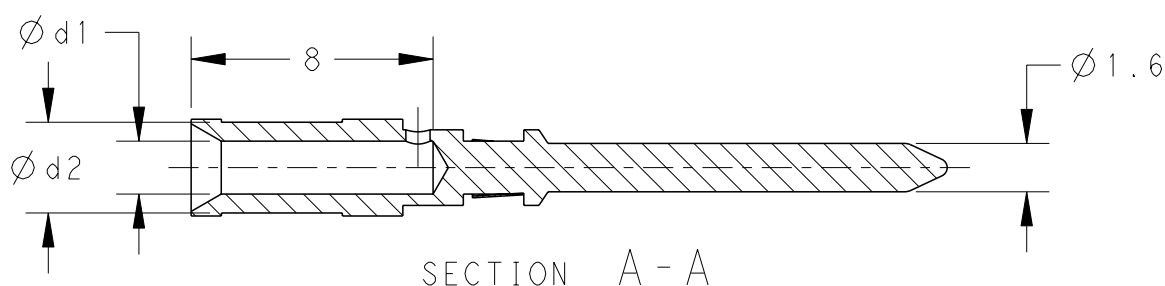


REVISIONS

P	LTR	DESCRIPTION	DATE	DWN	APVD
	A	INITIAL	22NOV2014	DW	CW



1) $\phi d1 = 0.90, 1.10, 1.30, 1.45, 1.75$



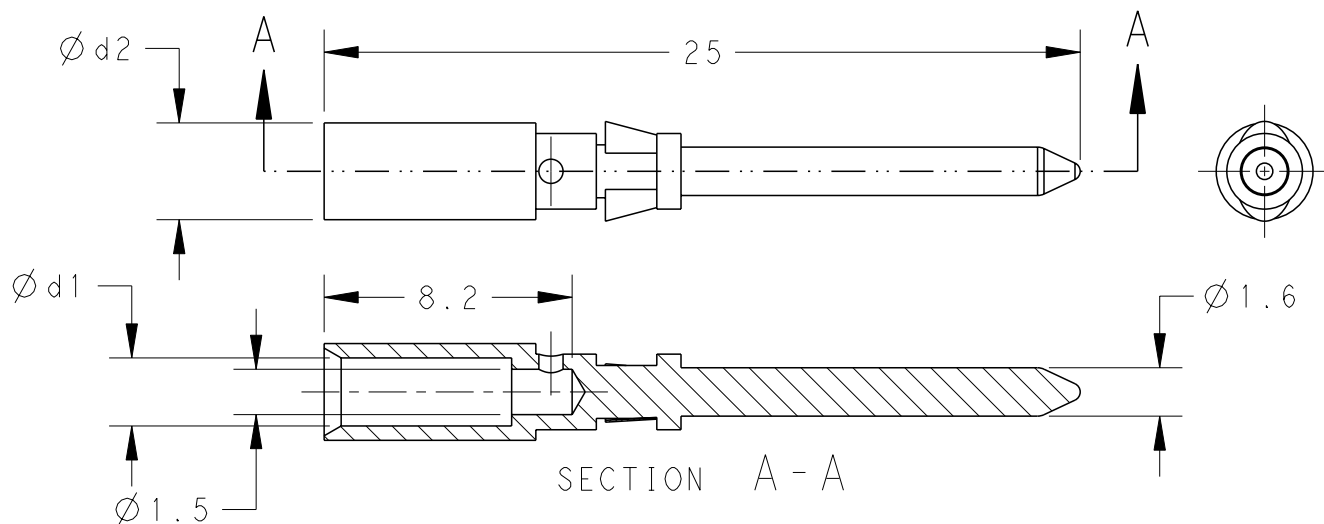
NOTES:

- 1. TECHNICAL CHARACTERISTICS:
 PIN CONTACT MATERIAL: BRASS
 SURFACE PLATING:
 SILVER PLATING: $\geq 2\mu m$
 GOLD PLATING: $\geq 0.75\mu m$
 CONTACT RESISTANCE: $\leq 5 m\Omega$
 WIRE RANGE: 0.14-2.5 mm² (26-14 AWG)
 OPERATION TEMPERATURE: -40-+125°C

注释:

- 1. 技术参数:
 公针材料: 黄铜
 表面电镀:
 镀银: $\geq 2\mu m$
 镀金: $\geq 0.75\mu m$
 接触电阻: $\leq 5 m\Omega$
 接线范围: 0.14-2.5 mm² (26-14 AWG)
 工作温度: -40-+125°C

2) $\phi d1 = 2.25$



	PART NUMBER		$\phi d1$	$\phi d2$	WIRE GAUGE		STRIPPING LENGTH (mm)
	SILVER PLATING	GOLD PLATING			MM ²	AWG	
PIN CONTACT	T2020001002-000	T2020011002-000	0.90	2.55	0.14-0.37	26-22	6-8
	T2020001005-000	T2020011005-000	1.10	2.60	0.5	20	
	T2020001008-000	T2020011008-000	1.30	2.60	0.75	18	
	T2020001010-000	T2020011010-000	1.45	2.60	1.0	18	
	T2020001015-000	T2020011015-000	1.75	3.00	1.5	16	
	T2020001025-000	T2020011025-000	2.25	3.20	2.5	14	

THIS DRAWING IS A CONTROLLED DOCUMENT.

DIMENSIONS: mm	TOLERANCES UNLESS OTHERWISE SPECIFIED:
	0 PLC \pm -
	1 PLC \pm -
	2 PLC \pm -
	3 PLC \pm -
	4 PLC \pm -
	ANGLES \pm -
MATERIAL	FINISH
-	-
-	-

DWN	22NOV2014
David Wang	
CHK	22NOV2014
Chris Wang	
APVD	22NOV2014
Xiang Xu	
PRODUCT SPEC	108-137042
APPLICATION SPEC	114-137042
WEIGHT	-
Customer Drawing	



NAME			
CDM/DDM HD/HDD PIN CONTACT			
SIZE	CAGE CODE	DRAWING NO	RESTRICTED TO
A3	00779	C-T20200X10XX000	-
SCALE		SHEET	REV
4:1		1 OF 1	A