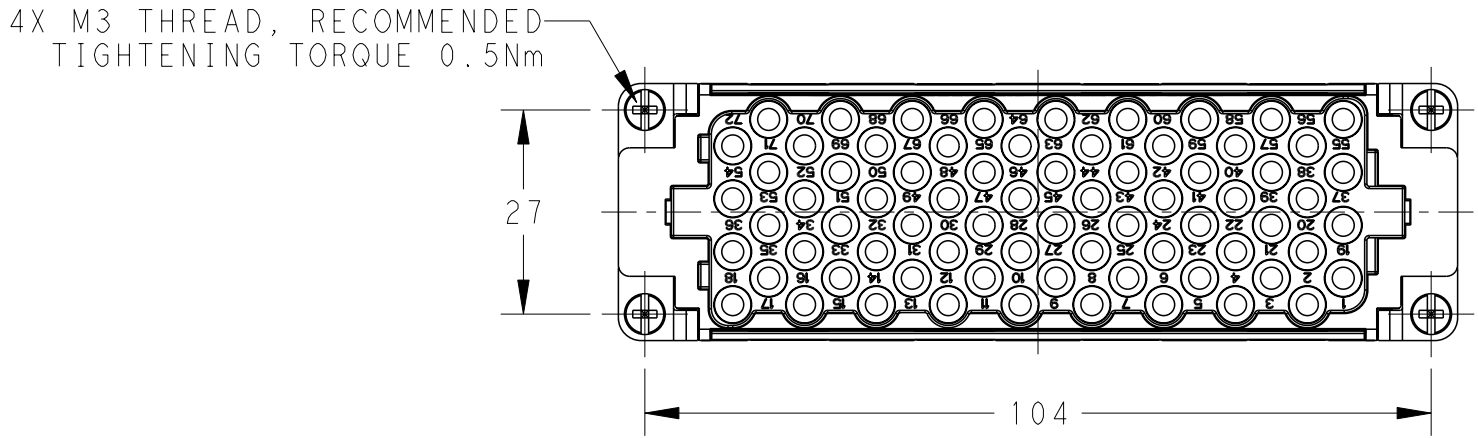
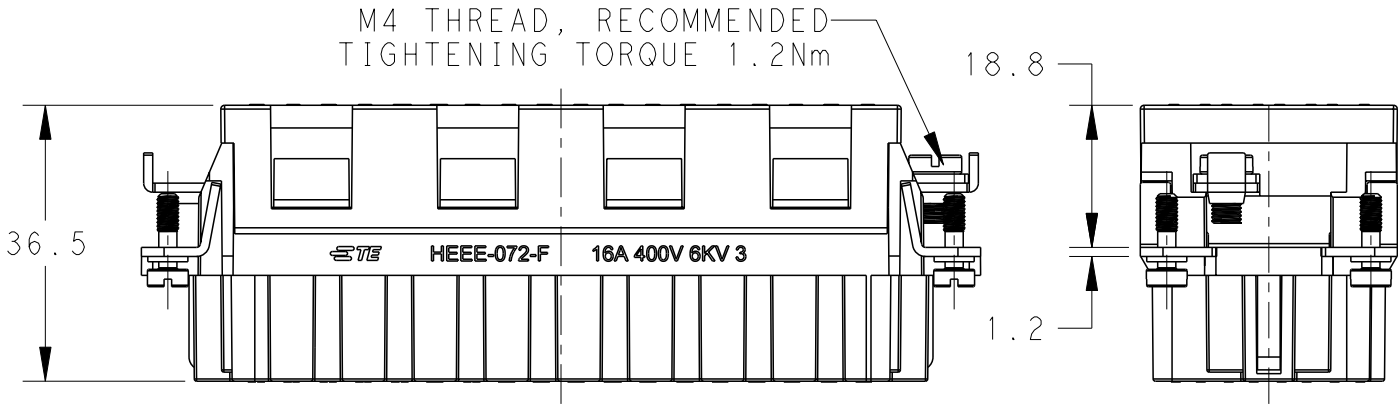
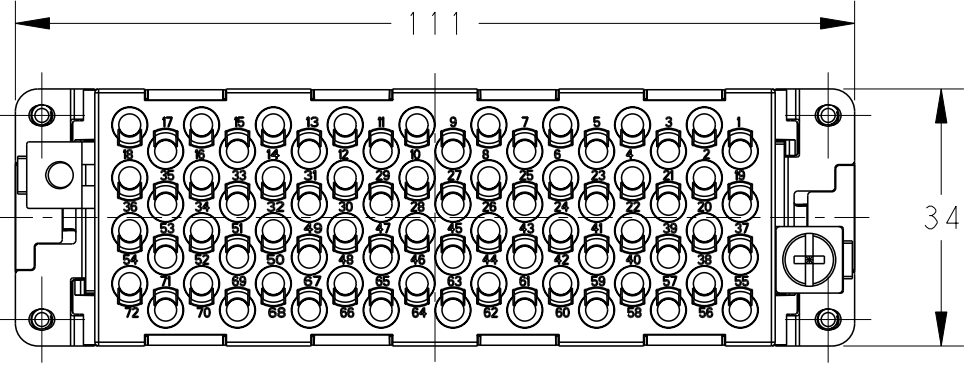
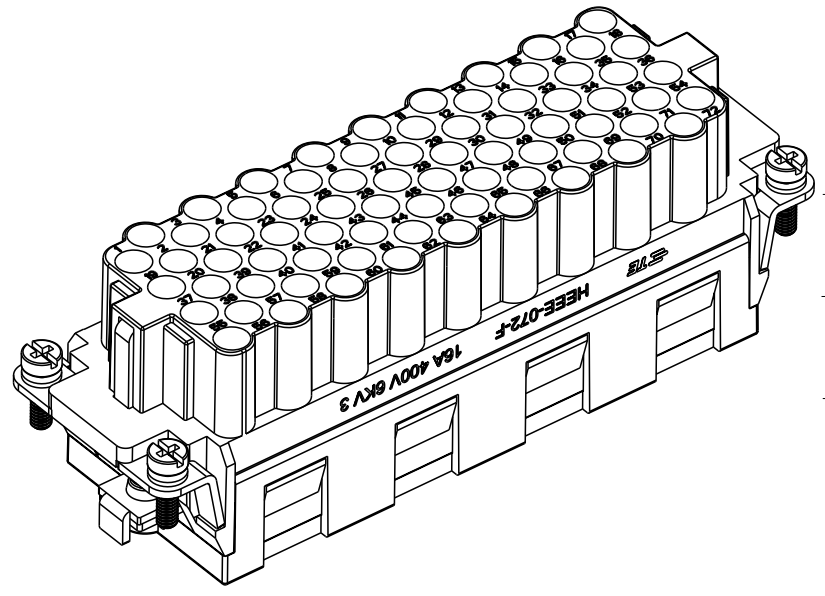


THIS DRAWING IS UNPUBLISHED. RELEASED FOR PUBLICATION 20
 © COPYRIGHT 20 BY - ALL RIGHTS RESERVED.

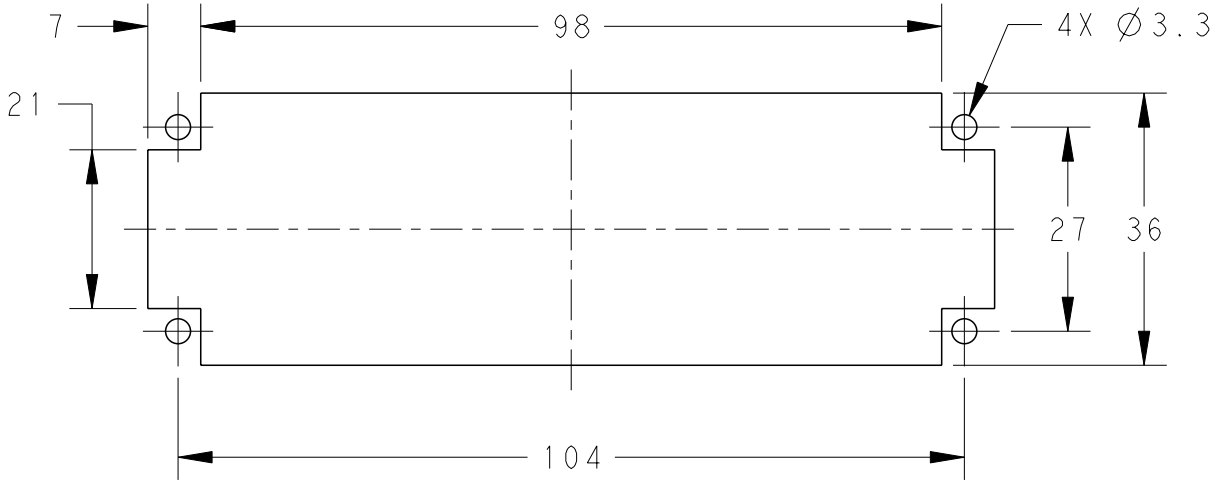
| REVISIONS | | | | | |
|-----------|-----|-------------|-----------|-----|------|
| P | LTR | DESCRIPTION | DATE | DWN | APVD |
| | A | INITIAL | 05MAR2015 | DW | CW |
| | | | | | |
| | | | | | |



NOTES:
 1. TECHNICAL CHARACTERISTICS:
 INSULATION MATERIAL: PC
 RATED VOLTAGE: 400 V
 RATED CURRENT: 16 A
 INSULATION RESISTANCE: >=400MΩ
 RATED IMPULSE VOLTAGE: 6 KV
 POLLUTION DEGREE: 3
 CONTACT RESISTANCE: <=5 mΩ
 FLAMMABILITY: UL94V-0
 MATING CYCLES: 200 FOR SILVER PLATED
 500 FOR GOLD PLATED
 OPERATION TEMPERATURE: -40-+125°C
 WIRE RANGE: 0.14-4 mm² (26-12 AWG)
 CONTACT TYPE: CRIMP CONTACT
 2. CONTACT NEED TO BE ORDERED SEPARATELY.

注释:
 1. 技术参数:
 绝缘材料: PC
 额定电压: 400V
 额定电流: 16A
 绝缘电阻: >=400MΩ
 额定脉冲电压: 6 KV
 污染等级: 3
 接触电阻: <=5 mΩ
 阻燃等级: UL94V-0
 插拔次数: 镀银端子: 200次
 镀金端子: 500次
 工作温度: -40-+125°C
 接线范围: 0.14-4 mm² (26-12 AWG)
 接线类型: 冷压接
 2. 端子需要单独订购.

PANEL CUT FOR INSERTS FOR USE WITHOUT HOODS/ HOUSINGS



| | |
|--|---|
| THIS DRAWING IS A CONTROLLED DOCUMENT. | |
| DIMENSIONS: mm | TOLERANCES UNLESS OTHERWISE SPECIFIED: 0 PLC ±- 1 PLC ±- 2 PLC ±- 3 PLC ±- 4 PLC ±- ANGLES ±- FINISH |
| MATERIAL | |

| | |
|------------------|------------|
| DWN | 05MAR2015 |
| CHK | David Wang |
| APVD | Chris Wang |
| PRODUCT SPEC | Xiang Xu |
| APPLICATION SPEC | 108-137068 |
| WEIGHT | 114-137068 |
| Customer Drawing | |

| | | | |
|----------------------------|-----------|------------------|---------------|
| HEEE-072-F | | T2050722201-000 | |
| DESCRIPTION | | PART NUMBER | |
| STE TE Connectivity | | | |
| NAME HEEE-072-F | | | |
| SIZE | CAGE CODE | DRAWING NO | RESTRICTED TO |
| A3 | 00779 | ©-T2050722201000 | - |
| SCALE | | SHEET | REV |
| 1:1 | | 1 OF 1 | A |