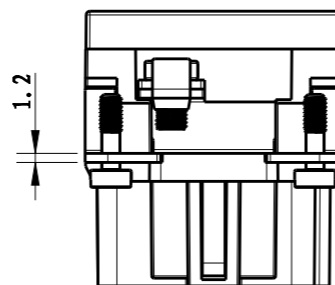
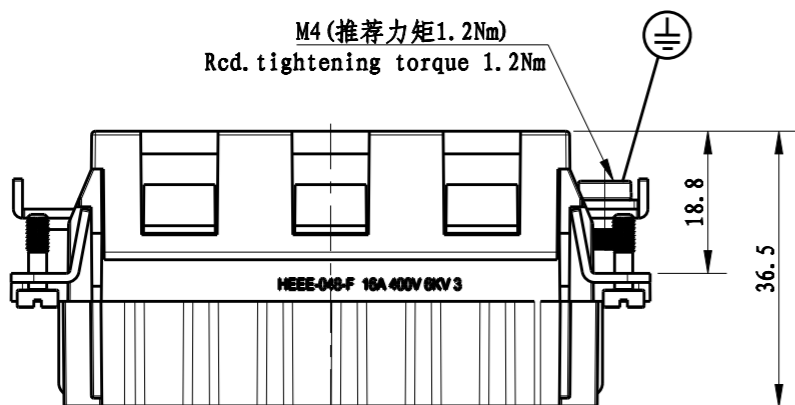
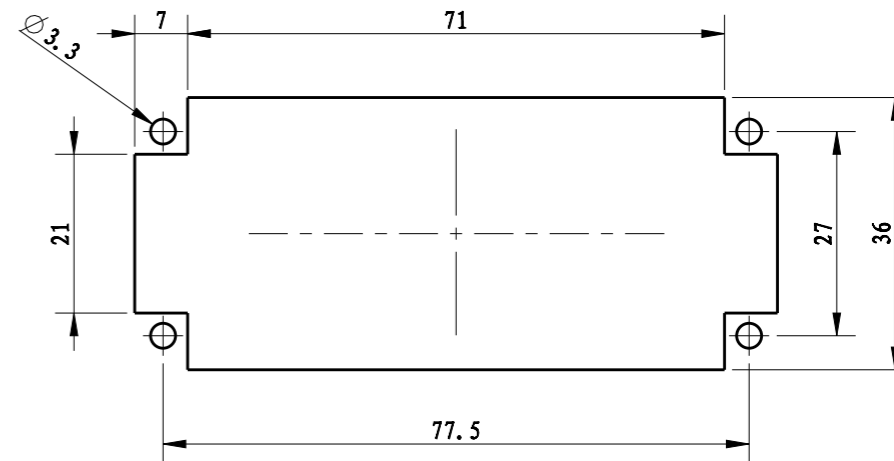
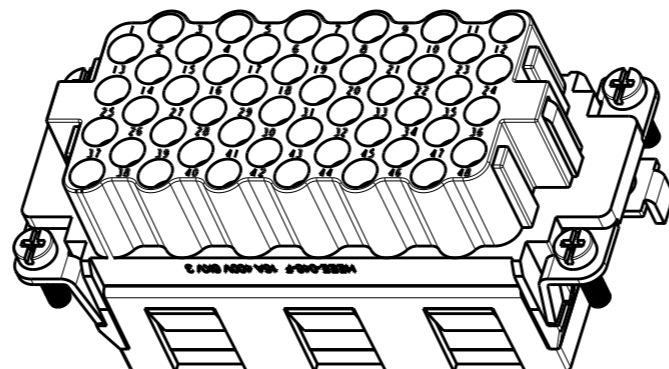
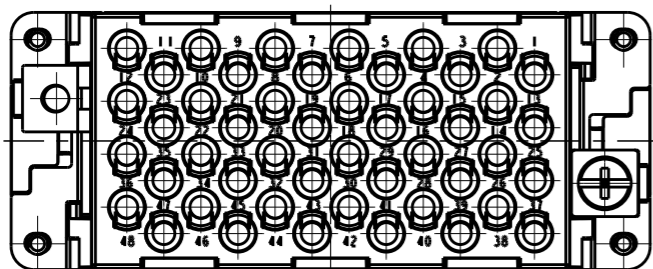


THIS DRAWING IS UNPUBLISHED. RELEASED FOR PUBLICATION 20
 © COPYRIGHT 20 BY - ALL RIGHTS RESERVED.

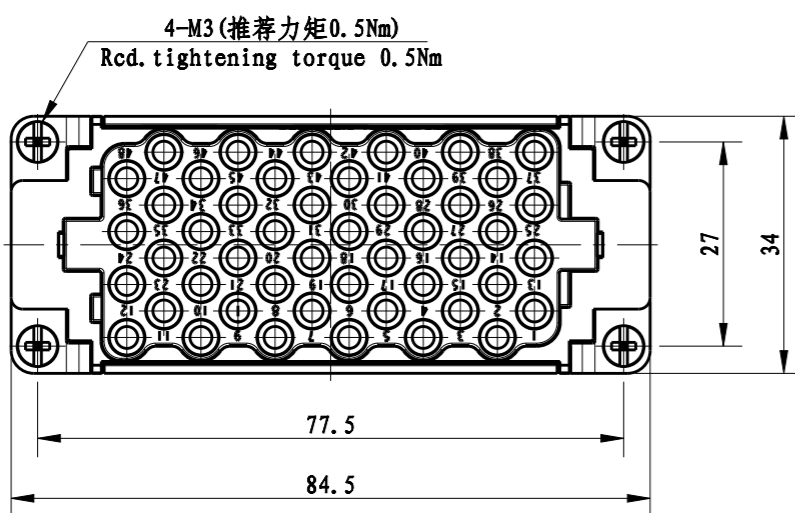
LOC	DIST	REVISIONS					
		P	LTR	DESCRIPTION	DATE	DWN	APVD
-	-		A	INITIAL RELEASE	18DEC2014	HMR	CW




不使用防护外壳时芯体的安装开孔图
 Panel cut out for inserts for use without hoods/housings

Technical Characteristics/技术参数:

- Rated Voltage / 额定电压: 400V
- Rated Current / 额定电流: 16A
- Insulation R. / 绝缘电阻: >400MΩ
- Impulse Volt. / 最高耐压: 6kV
- Pollution deg. / 污染等级: 3(C)
- Flammability / 阻燃等级: V0 (UL94)
- Limiting Temp. / 工作温度: -40~125°C
- Mating Cycles / 插拔次数: 200次 for silver plated contact
500次 for gold plated contact
- Wire Range / 接线范围: 0.14-4.0mm², 26-12AWG
- Terminal type / 接线类型: Crimp contact 冷压接
- Contact need to be ordered separately (order No. refer to drawing T20300X20XX000)
端子需要单独订购 (订货号参照图面: T20300X20XX000)



HEEE-048-F WITHOUT LOGO	T2059482201-000
DESCRIPTION	PART NUMBER

THIS DRAWING IS A CONTROLLED DOCUMENT.		DWN	18DEC2014	 TE Connectivity	NAME	HEEE-048-F WITHOUT LOGO
		CHK	18DEC2014			
		APVD	18DEC2014			
		PRODUCT SPEC	108-137068			
DIMENSIONS:		TOLERANCES UNLESS OTHERWISE SPECIFIED:		APPLICATION SPEC		
mm		0 PLC ±		SIZE		
		1 PLC ±		CAGE CODE		
		2 PLC ±		DRAWING NO		
		3 PLC ±		RESTRICTED TO		
		4 PLC ±		A3 00779 C-T2059482201000		
		ANGLES ±		SCALE		
MATERIAL -		FINISH -		1:1		
				SHEET 1 OF 1		
				REV A		
				Customer Drawing		