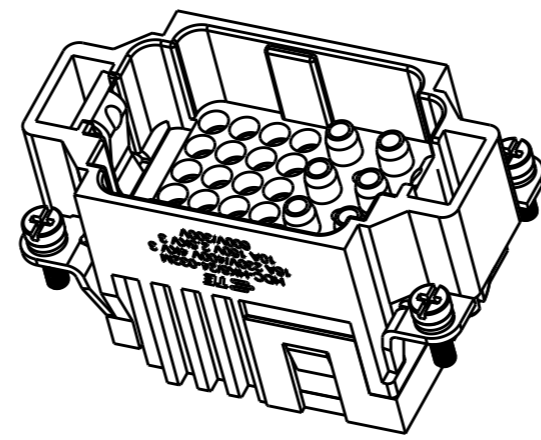
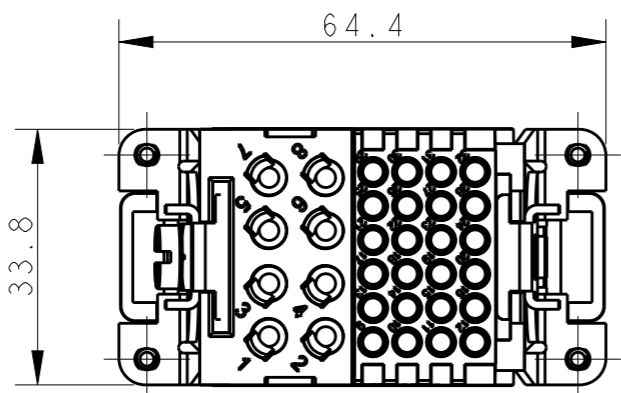


THIS DRAWING IS UNPUBLISHED. RELEASED FOR PUBLICATION 20
 © COPYRIGHT 20 BY - ALL RIGHTS RESERVED.

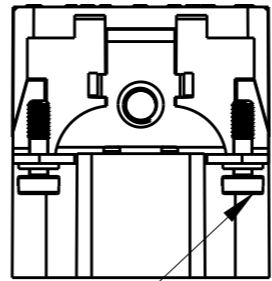
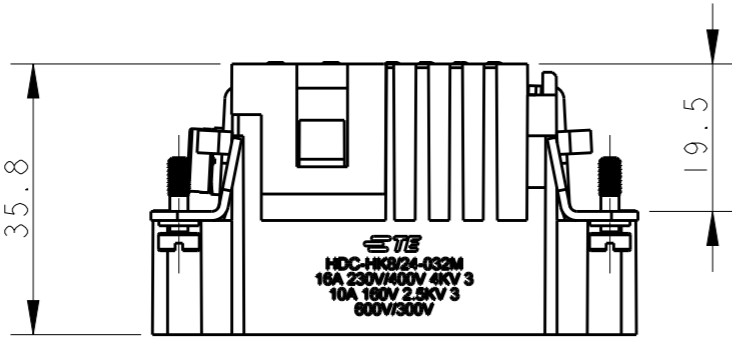
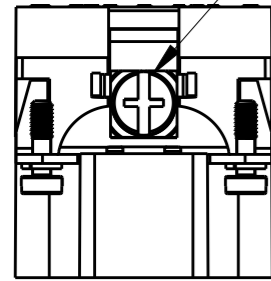
| REVISIONS | | | | | |
|-----------|-----|-----------------|-----------|-----|------|
| P | LTR | DESCRIPTION | DATE | DWN | APVD |
| | A | INITIAL RELEASE | 15APR2015 | DL | CW |
| | | | | | |
| | | | | | |



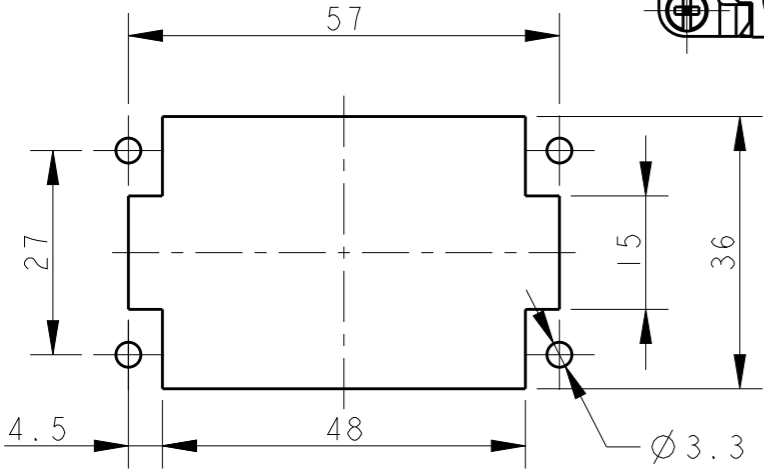
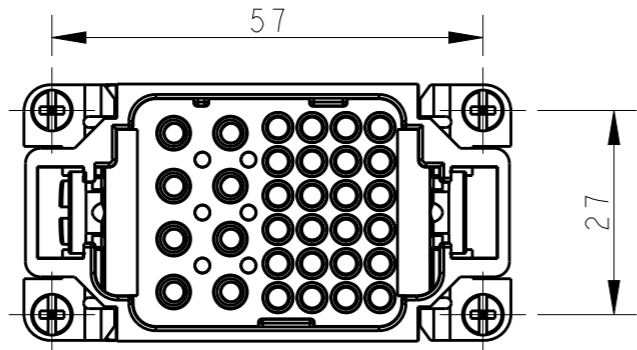
NOTES:
 1. TECHNICAL CHARACTERISTICS:
 INSULATION MATERIAL: PC
 RATED VOLTAGE: POWER: CONDUCTOR - GROUND: 230 V
 CONDUCTOR - CONDUCTOR: 400 V
 SIGNAL: 160 V
 RATED CURRENT: POWER: 16 A; SIGNAL: 10 A
 INSULATION RESISTANCE: >=400MΩ
 RATED IMPULSE VOLTAGE: POWER: 4 KV; SIGNAL: 2.5 KV
 POLLUTION DEGREE: 3
 FLAMMABILITY: UL94V-0
 MATING CYCLES: 200 FOR SILVER PLATED
 500 FOR GOLD PLATED
 OPERATION TEMPERATURE: -40-+125°C
 WIRE RANGE: POWER: 0.14-4.0 mm² (26-12 AWG)
 SIGNAL: 0.14-2.5 mm² (26-14 AWG)
 CONTACT TYPE: CRIMP CONTACT
 2. CONTACT NEED TO BE ORDERED SEPARATELY.
 (ORDER No. REFER TO DRAWING: 16A: T20300X10XX000;
 10A: T20200X10XX000)

注释:
 1. 技术参数:
 绝缘材料: PC
 额定电压: 电源: 导体-地: 230 V; 导体-导体: 400 V; 信号: 160 V
 额定电流: 电源: 16 A; 信号: 10 A
 绝缘电阻: >=400MΩ
 额定脉冲电压: 电源: 4 KV; 信号: 2.5 KV
 污染等级: 3
 阻燃等级: UL94V-0
 插拔次数: 镀银端子: 200次
 镀金端子: 500次
 工作温度: -40-+125°C
 接线范围: 电源: 0.14-4.0 mm² (26-12 AWG);
 信号: 0.14-2.5 mm² (26-14 AWG)
 接线类型: 冷压接
 2. 端子需要单独订购。
 (订货号参考图面: 16A: T20300X10XX000; 10A: T20200X10XX000)

M5 THREAD
 RECOMMENDED TIGHTENING TORQUE 2.0Nm



4 X M3 THREAD
 RECOMMENDED TIGHTENING TORQUE 0.5Nm



PANEL CUT OUT FOR INSERTS FOR USING WITHOUT HOODS/HOUSINGS

| | |
|--|--|
| THIS DRAWING IS A CONTROLLED DOCUMENT. | |
| DIMENSIONS: | TOLERANCES UNLESS OTHERWISE SPECIFIED: |
| mm | |
| | 0 PLC ±- |
| | 1 PLC ±- |
| | 2 PLC ±- |
| | 3 PLC ±- |
| | 4 PLC ±- |
| | ANGLES ±- |
| MATERIAL | FINISH |
| - | - |

| | |
|------------------|------------|
| DWN | 15APR2015 |
| DAVID LI | |
| CHK | 15APR2015 |
| CHRIS WANG | |
| APVD | 15APR2015 |
| XU XIANG | |
| PRODUCT SPEC | 108-137131 |
| APPLICATION SPEC | 114-137131 |
| WEIGHT | - |
| CUSTOMER DRAWING | |

| | | | |
|----------------------------|-----------|--------------------|---------------|
| HK8/24-032-M | | T2100322101-000 | |
| DESCRIPTION | | PART NUMBER | |
| STE TE Connectivity | | | |
| NAME | | | |
| HK8/24-032-M | | | |
| SIZE | CAGE CODE | DRAWING NO | RESTRICTED TO |
| A3 | - | ©T2100322101000 | - |
| SCALE 1:1 | | SHEET 1 OF 1 REV A | |