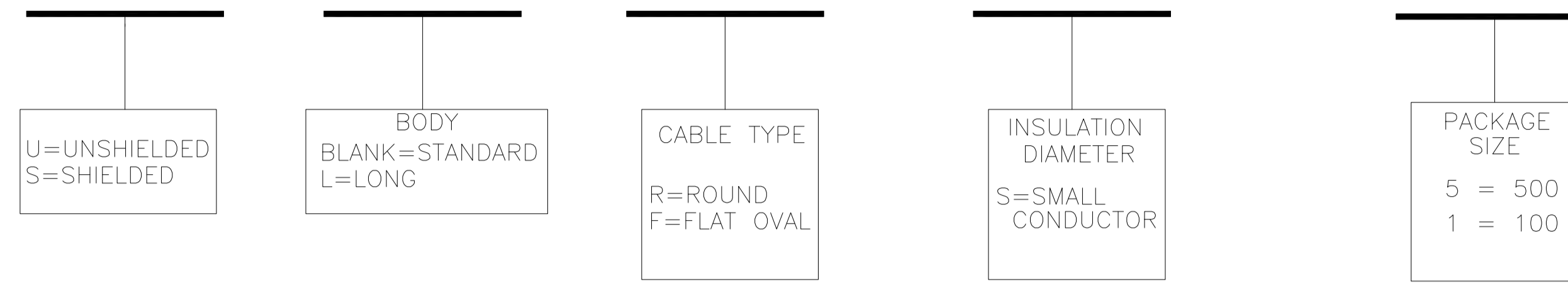
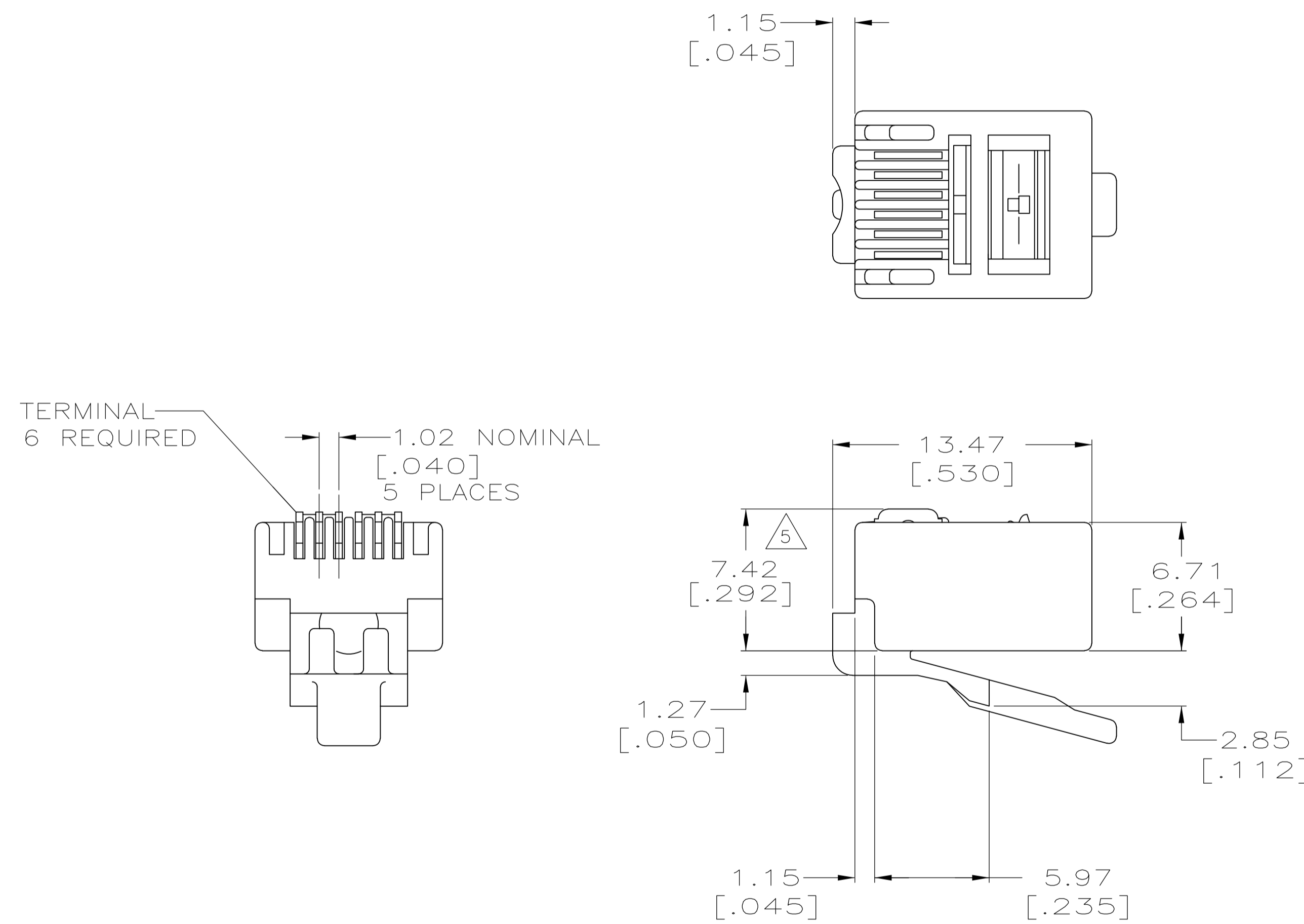


# MP-66



1. DIMENSIONS ARE MAXIMUM UNLESS OTHERWISE SPECIFIED.
2. MATERIAL: HOUSING- POLYCARBONATE, CLEAR TERMINAL- .305 [.012] THICK PHOSPHOR BRONZE PLATED WITH .127 $\mu$ M [.00005] MINIMUM THICK GOLD IN LOCALIZED PLATE AREA OVER 2.54 $\mu$ M [.000100] MINIMUM THICK NICKEL UNDERPLATE.  
SHIELD, OPTIONAL- COPPER ALLOY WITH 1.27 $\mu$  [.000050] MINIMUM SEMI-BRIGHT (SATIN) NICKEL.
3. NON-SMALL CONDUCTOR PLUGS WILL ACCEPT 24 TO 26 AWG SOLID OR STRANDED CONDUCTORS WITH A SINGLE INSULATION DIAMETER OF 0.86-0.99 [.034-.039]. SMALL CONDUCTOR PLUGS WILL ACCEPT 26 TO 28 AWG SOLID OR STRANDED WIRE WITH A SINGLE INSULATION DIAMETER OF 0.74-0.86 [.029-.034].
4. MAXIMUM CABLE JACKET DIAMETERS FOR THE VARIOUS MP-66 MODULAR PLUGS ARE:  
ROUND -STANDARD BODY: 4.58 [.180]  
ROUND -LONG BODY: 4.96 [.195]  
FLAT OVAL -STANDARD BODY: 2.29 X 6.61 [0.090 X 0.260]  
FLAT OVAL -LONG BODY: 2.79 X 6.85 [0.110 X 0.270]
5. TERMINATED DIMENSION 5.89 [.232] - 6.15 [.242].
6. UL RECOGNIZED FILE NUMBER E81956.



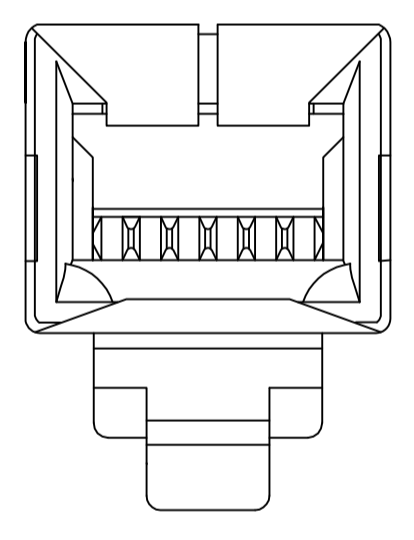
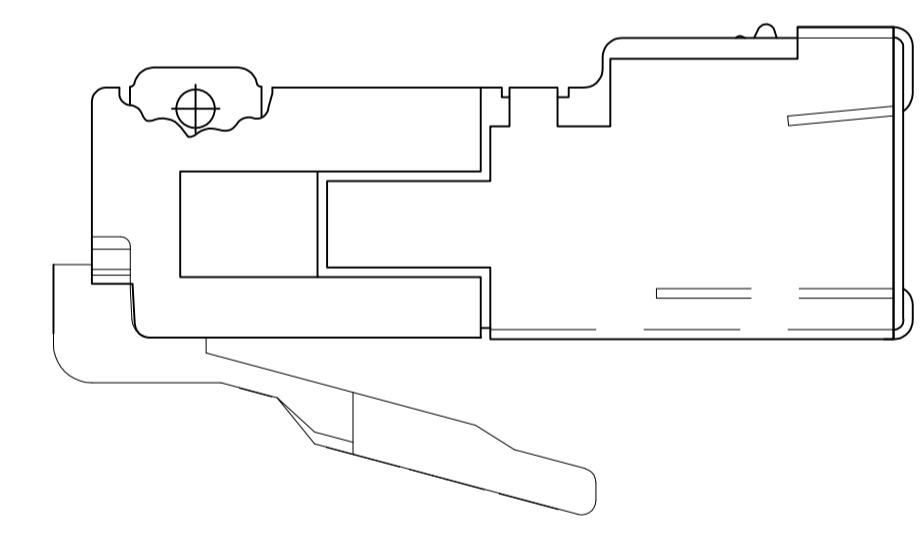
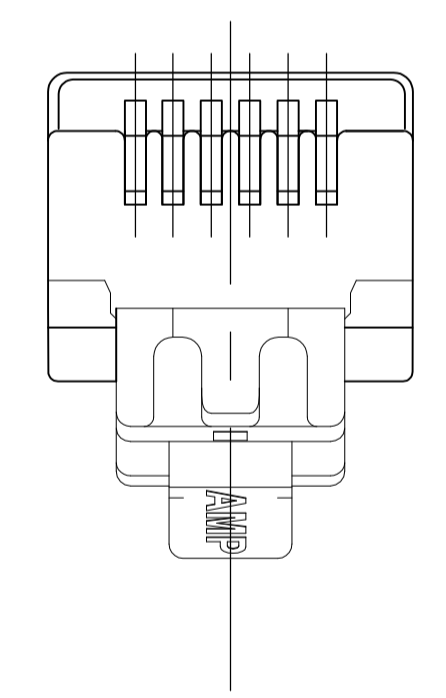
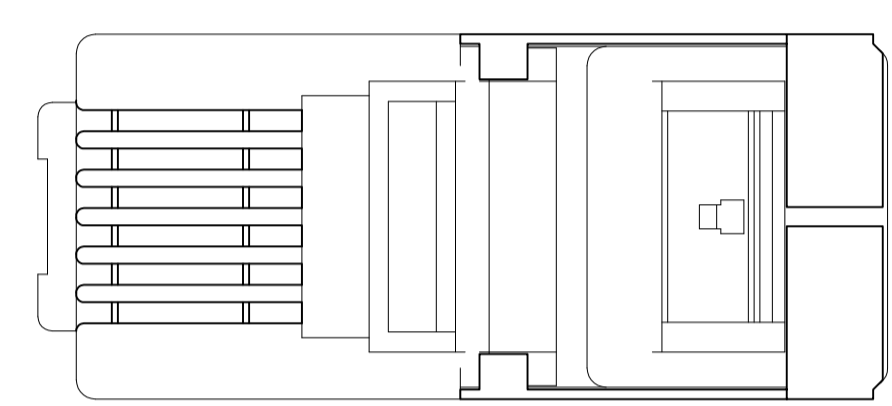
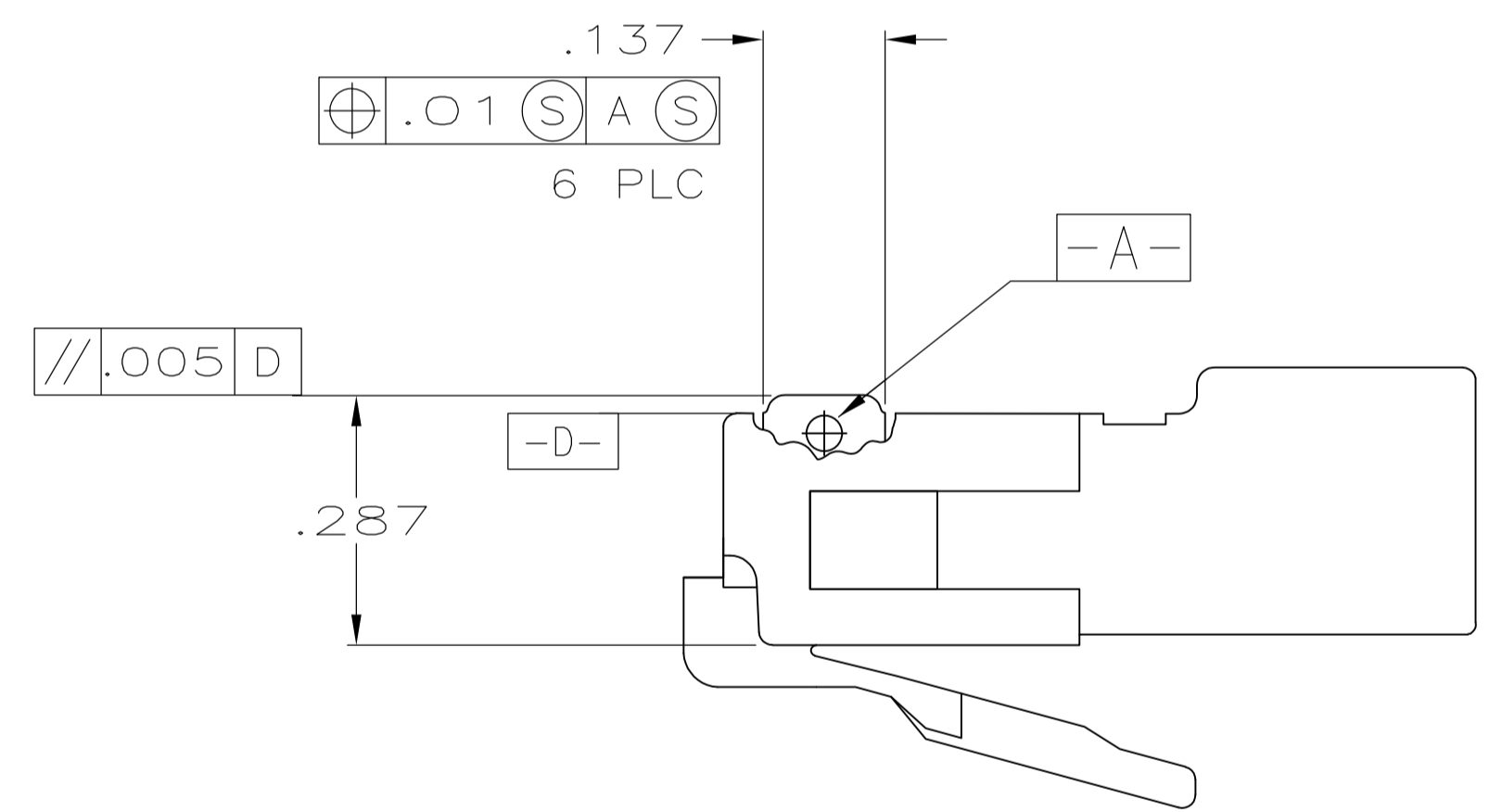
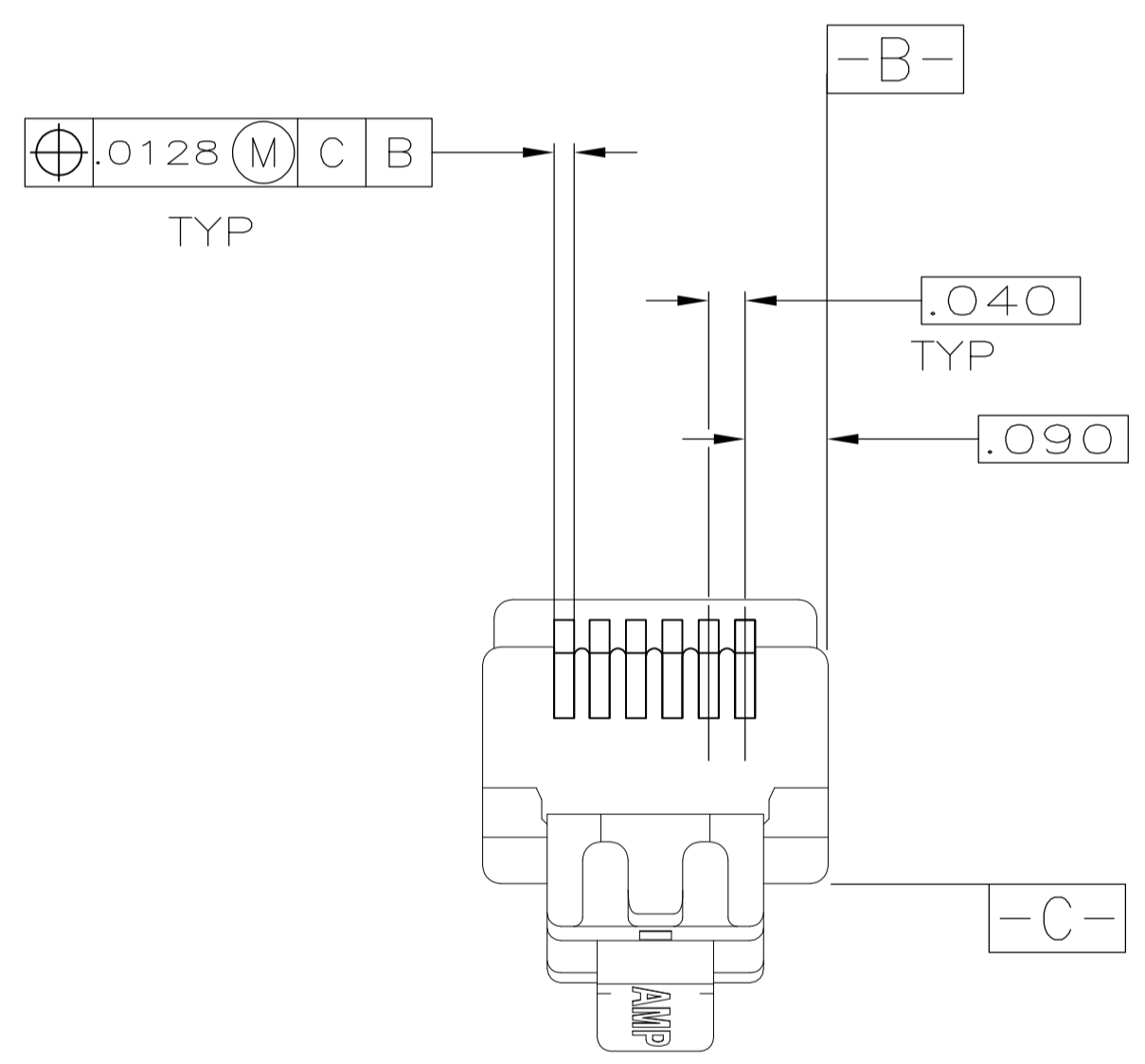
UNSHIELDED MOD PLUG STANDARD BODY  
PRODUCT WILL LOOK SIMILAR TO THIS VIEW

100	6-557971-3	MP-66U-FS-1
500	6-557971-2	MP-66U-FS-5
100	6-554710-3	MP-66U-R-1
500	6-554710-2	MP-66U-R-5
100	6-641337-3	MP-66U-F-1
500	6-641337-2	MP-66U-F-5
PACKAGE	MATERIAL	CATALOG NUMBER

DIMENSIONS:		TOLERANCES UNLESS OTHERWISE SPECIFIED:		DIN		REV	
INCHES		0. PLC	±	H GAUL	08JUN2015	STE TE Connectivity	
		1. PLC	±	CHK	08JUN2015	MOD PLUG ASSY, 6 POSN, LINE	
		2. PLC	±	J. GENIAC	08JUN2015	NAME	
		3. PLC	±	J. GENIAC	08JUN2015	PRODUCT SPEC	
		4. PLC	±			APPLICATION SPEC	
		ANGLES	±			SIZE	
			±			CAGE CODE	
			±			DRAWING NO	
MATERIAL	FINISH	WEIGHT				RESTRICTED TO	
						A1 00779 C=2843026	
		CUSTOMER DRAWING	SCALE	5:1	SHEET	1 OF 2	REV

# MP-66

- U=UNSHIELDED  
S=SHIELDED
- BODY  
BLANK=STANDARD  
L=LONG
- CABLE TYPE  
  
R=ROUND  
F=FLAT OVAL
- INSULATION  
DIAMETER  
  
S=SMALL  
CONDUCTOR
- PACKAGE  
SIZE  
  
5 = 500  
1 = 100



UNSHIELDED MOD PLUG, LONG BODY  
PRODUCT WILL LOOK SIMILAR TO THIS VIEW

100	6-555177-3	MP-66U-LR-1
500	6-555177-2	MP-66U-LR-5
100	6-555176-3	MP-66U-LF-1
500	6-555176-2	MP-66U-LF-5
PACKAGE	MATERIAL	CATALOG NUMBER

SHIELDED MOD PLUG, LONG BODY  
PRODUCT WILL LOOK SIMILAR TO THIS VIEW

100	6-555175-3	MP-66S-LR-1
500	6-555175-2	MP-66S-LR-5
100	6-555174-3	MP-66S-LF-1
500	6-555174-2	MP-66S-LF-5
PACKAGE	MATERIAL	CATALOG NUMBER

THIS DRAWING IS A CONTROLLED DOCUMENT.

DIMENSIONS: INCHES	TOLERANCES UNLESS OTHERWISE SPECIFIED:	DIN H GAUL 08JUN2015	TE Connectivity
0 PLC ± - 1 PLC ± - 2 PLC ± - 3 PLC ± - 4 PLC ± - ANGLES ± -	FINISH	CHK J. GENIAC 08JUN2015 APVD J. GENIAC 08JUN2015 PRODUCT SPEC APPLICATION SPEC	
MATERIAL	FINISH	SIZE A1 CAGE CODE 00779 DRAWING NO. C=2843026 WEIGHT CUSTOMER DRAWING	RESTRICTED TO SCALE 5:1 SHEET 2 OF 2 REV A