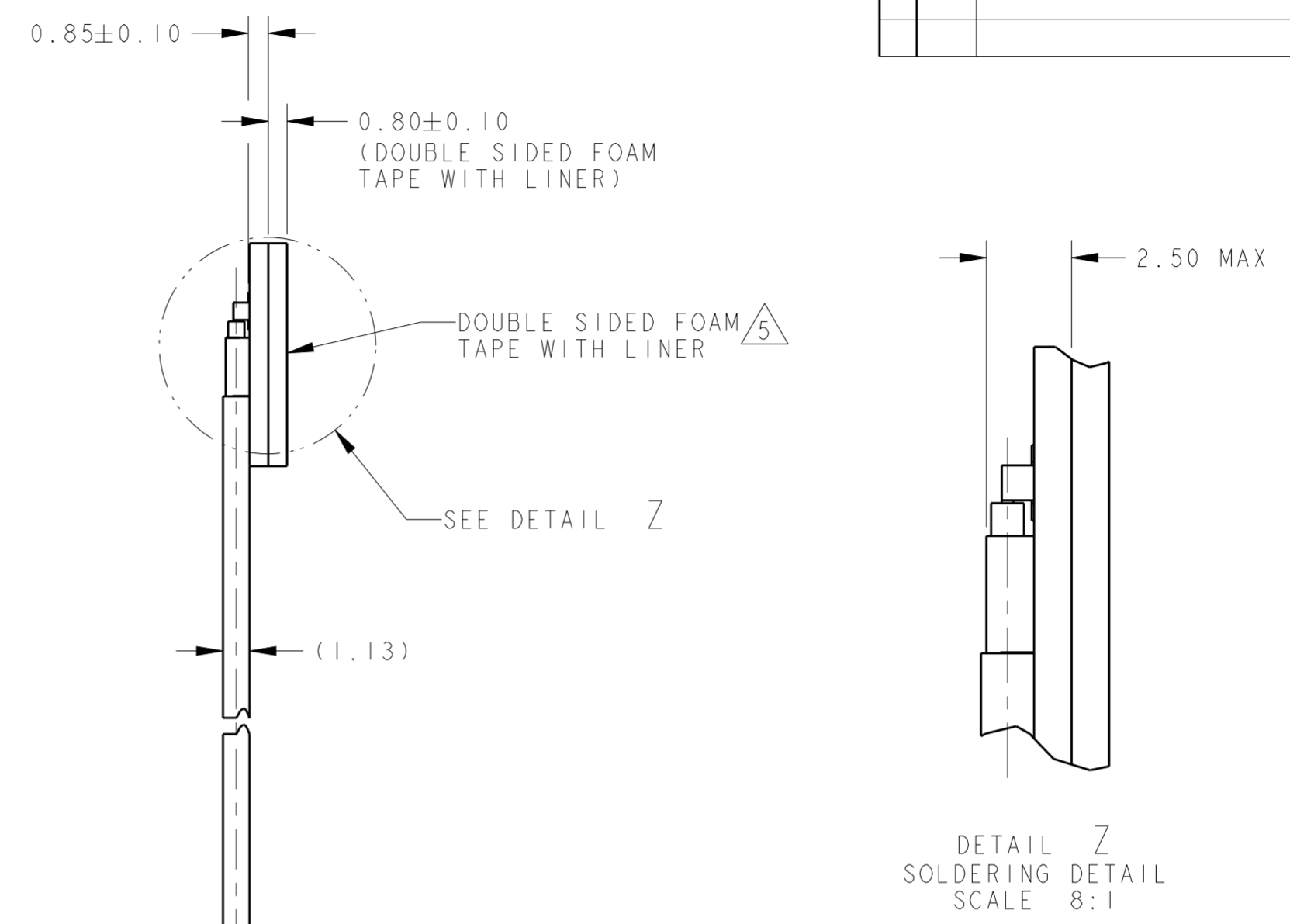
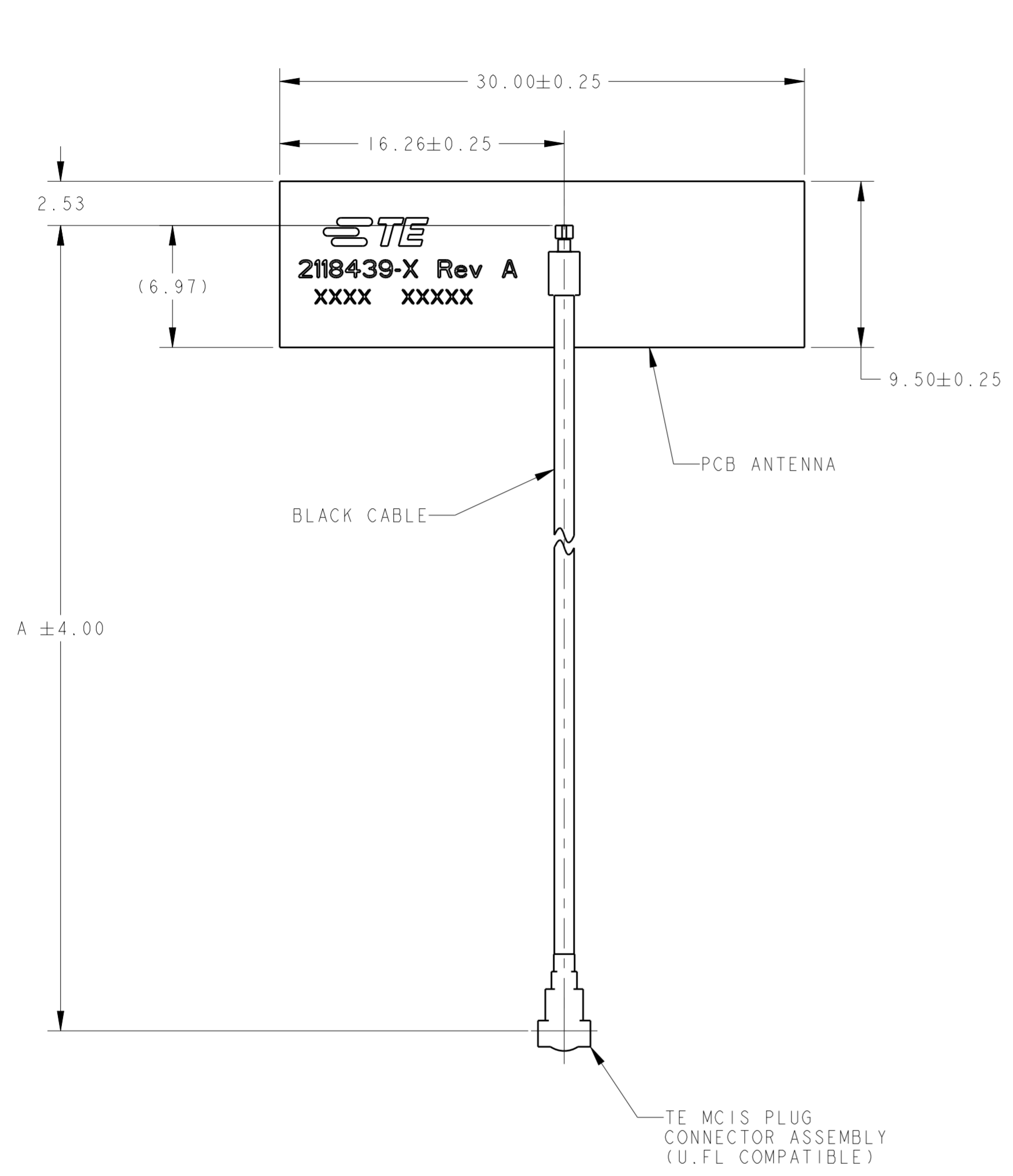


THIS DRAWING IS UNPUBLISHED. RELEASED FOR PUBLICATION 20
 © COPYRIGHT 20 BY TYCO ELECTRONICS CORPORATION ALL RIGHTS RESERVED.

LOC	DIST	REVISIONS			
P	LTR	DESCRIPTION	DATE	DWN	APVD
00	AJ	A	RELEASED.	16SEP2014	KF PG



- ASSEMBLY IS RoHS COMPLIANT.
- MINIMUM IDENTIFICATION INCLUDES:
TOP LAYER: TE LOGO, TE ASSEMBLY BASE PART NUMBER, ASSEMBLY REVISION LETTER, AND FOUR DIGIT DATE CODE (FIRST 2 DIGITS FOR THE WEEK CODE AND THE 2ND TWO DIGITS FOR THE YEAR CODE).
- MATERIALS: PCB MATERIAL
TOTAL THICKNESS: 0.85 SINGLE SIDE, 1/2 OUNCE COPPER.
- OVERPLATING: PLATING ON EXPOSED COPPER AREAS TO BE E.N.I.G. FINISH.
- REMOVE LINER FROM DOUBLE SIDED FOAM TAPE 3M VHB 5608 TO APPLY ANTENNA IN APPLICATION.
- PRODUCT PACKAGED IN A BAG.
- THIS PRODUCT HAS NOT YET COMPLETED VALIDATION TESTING.

2118439-5 SHOWN

200.00	N	2118439-7
100.00	N	2118439-6
150.00	Y ⁵	2118439-5
300.00	N	2118439-4
160.00	N	2118439-3
310.00	N	2118439-2
250.00	N	2118439-1
A	DOUBLE SIDED FOAM TAPE APPLIES	PART NUMBER

CONFIDENTIAL

THIS INFORMATION IS CONFIDENTIAL AND IS DISCLOSED TO YOU ON CONDITION THAT NO FURTHER DISCLOSURE IS MADE BY YOU TO OTHER THAN TYCO ELECTRONICS PERSONNEL WITHOUT WRITTEN AUTHORIZATION FROM TYCO ELECTRONICS, HARRISBURG, PA.

THIS DRAWING IS A CONTROLLED DOCUMENT.		DWN K. FOLTZ 18MAR2014	TE Connectivity	
DIMENSIONS: mm		CHK J. MOORE 18MAR2014		
TOLERANCES UNLESS OTHERWISE SPECIFIED:		APVD J. MOORE 18MAR2014	NAME PCB ANTENNA ASSEMBLY, W/ TE M.C.I.S CONNECTOR	
0 PLC ±		PRODUCT SPEC	SIZE A200779	
1 PLC ±		APPLICATION SPEC	CAGE CODE C-2118439	
2 PLC ±		WEIGHT	DRAWING NO -	
3 PLC ±		CUSTOMER DRAWING	RESTRICTED TO -	
4 PLC ±		SCALE 4:1	SHEET 1 OF 1	
ANGLES ±			REV A	
FINISH				
SEE NOTES				