

4

3

2

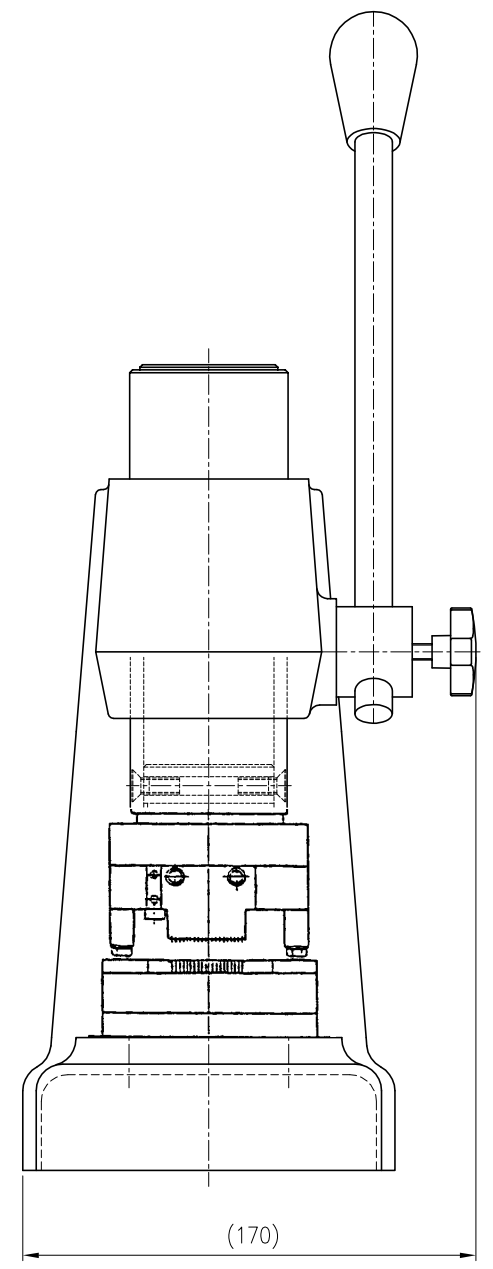
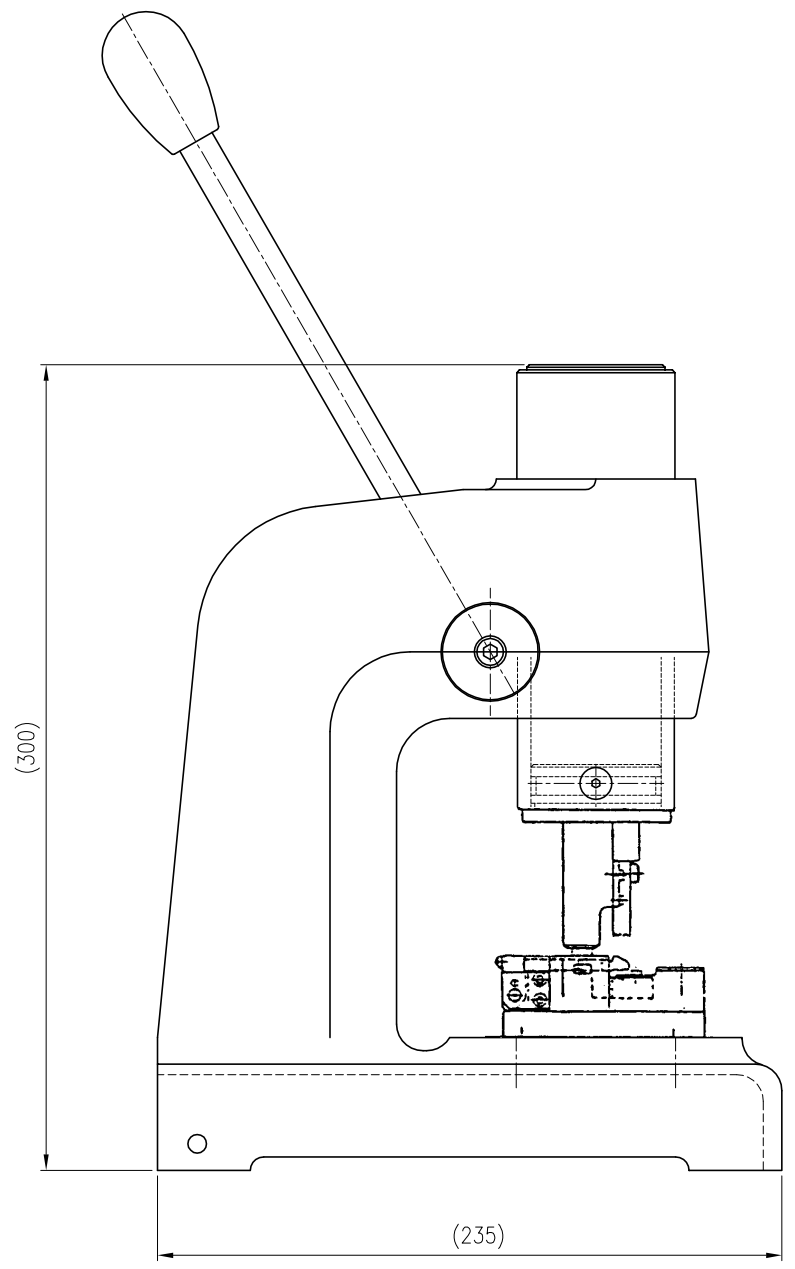
1

THIS DRAWING IS UNPUBLISHED. RELEASED FOR PUBLICATION
 © COPYRIGHT - By - ALL RIGHTS RESERVED.

LOC	DIST	REVISIONS			
P	LTR	DESCRIPTION	DATE	DWN	APVD
J	-	A	RELEASED	29MAY14	K.M S.S

D

D



仕様 (Specifications)

- (1) 外観寸法 (OVERALL) : W170×D235×H300
(The handle bar part is excluded.)
- (2) 重量 (WEIGHT) : 約10kg (about 10kg)
- (3) 適用コネクタ (APPLICABLE CONNECTOR) : CT CONNECTOR
□-173977-□
□-173983-□
□-173985-□
- (4) 適用ワイヤー (APPLICABLE WIRE) : 114-5103 および 114-5104参照
(Please see 114-5103 and 114-5104.)
- (5) 取扱説明書 (INSTRUCTION SHEET) : 408-78079

C



C

B

B

A

A

THIS DRAWING IS A CONTROLLED DOCUMENT.		DWN K. MARUYAMA 28 MAY 14	 TE Connectivity	
		CHK K. MARUYAMA 28 MAY 14		
		APVD S. SUZUKI 28 MAY 14		
DIMENSIONS: mm		TOLERANCES UNLESS OTHERWISE SPECIFIED:		NAME CT CONN MANUAL MINI PRESS
		0 PLC ± -		SIZE
		1 PLC ± -		CAGE CODE
MATERIAL		2 PLC ± -		DRAWING NO
		3 PLC ± -		A3 00779 C-2255254-1
FINISH		4 PLC ± -		RESTRICTED TO
		ANGLES ± -		-
-		-		SCALE
		WEIGHT		SHEET
		CUSTOMER DRAWING		1 of 1
				REV
				A